

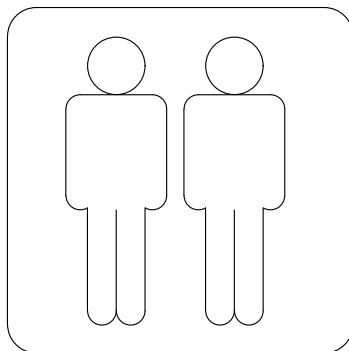
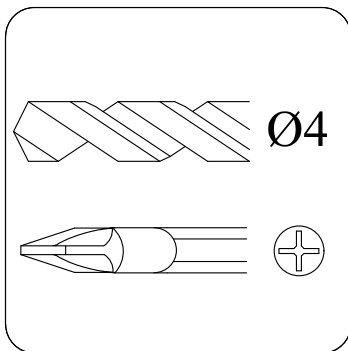
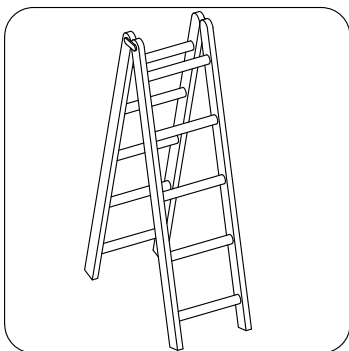
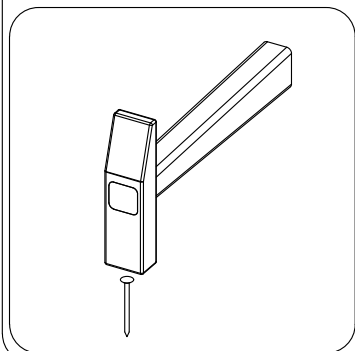
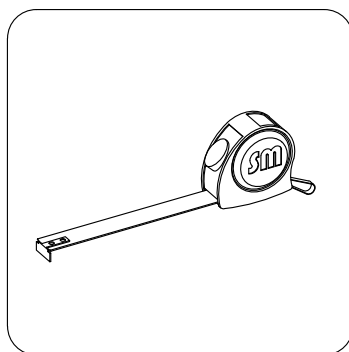
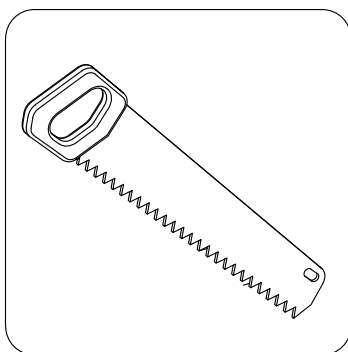
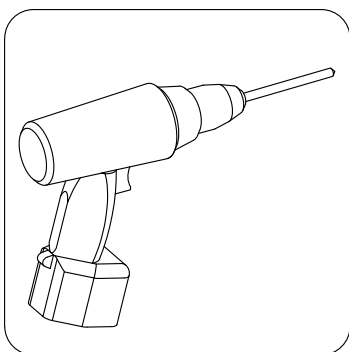
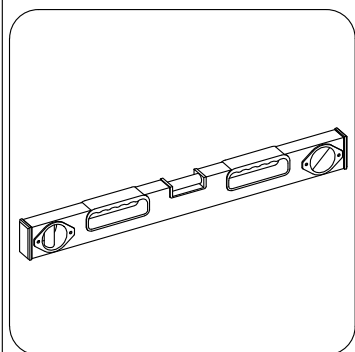
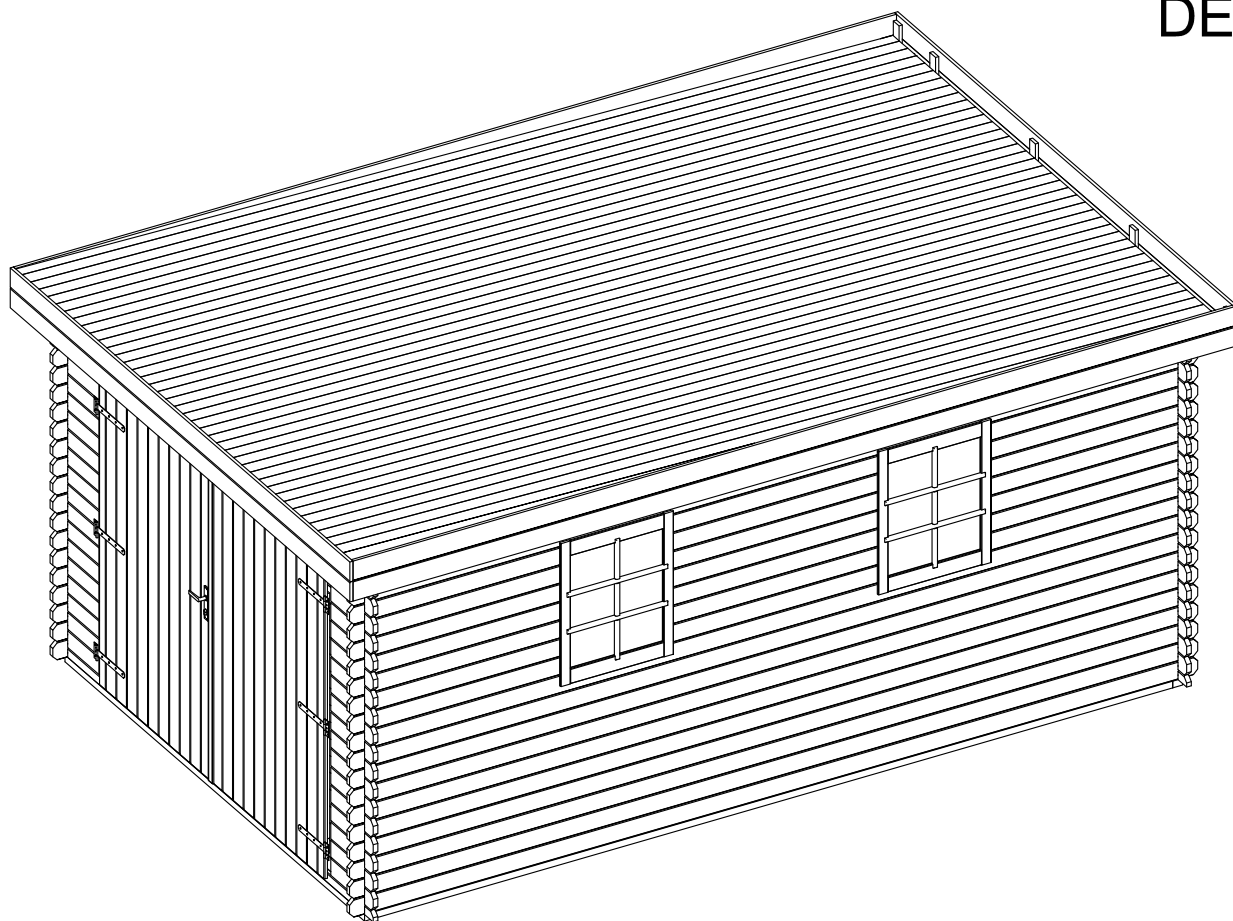
1/10

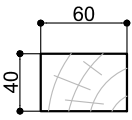

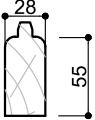
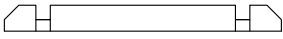
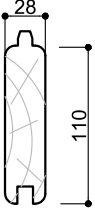
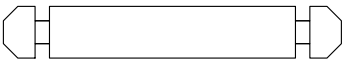
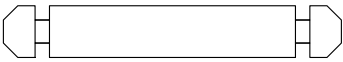
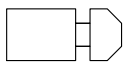



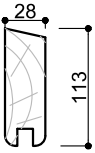

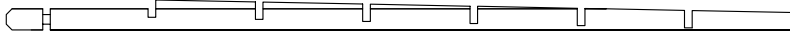
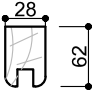

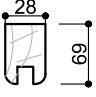
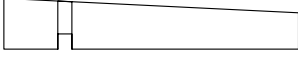
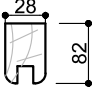
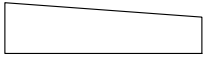
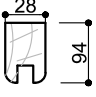

→||←28mm

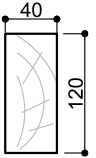

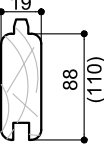
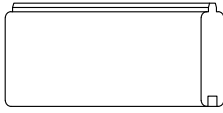


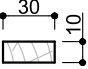
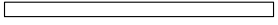
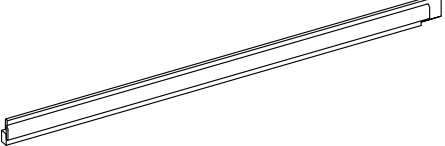
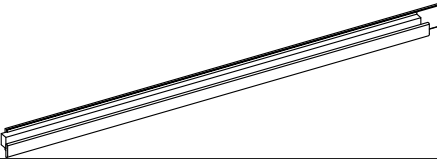
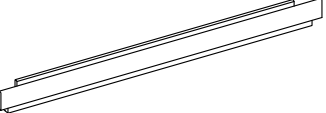
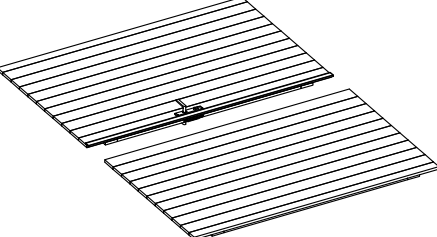
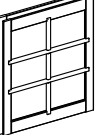
3,3 x 5,1


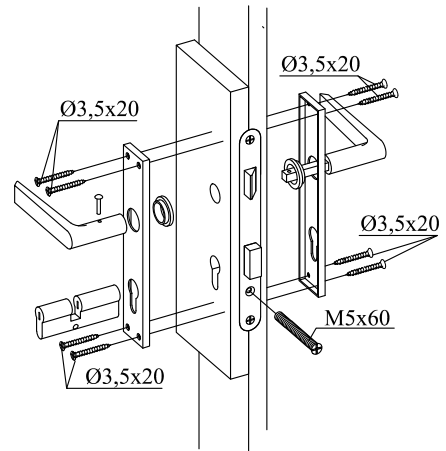
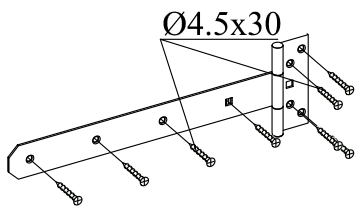
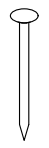
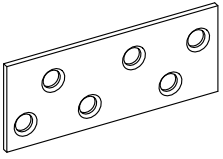
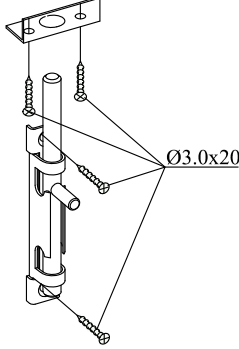
28209

ENG  
DE

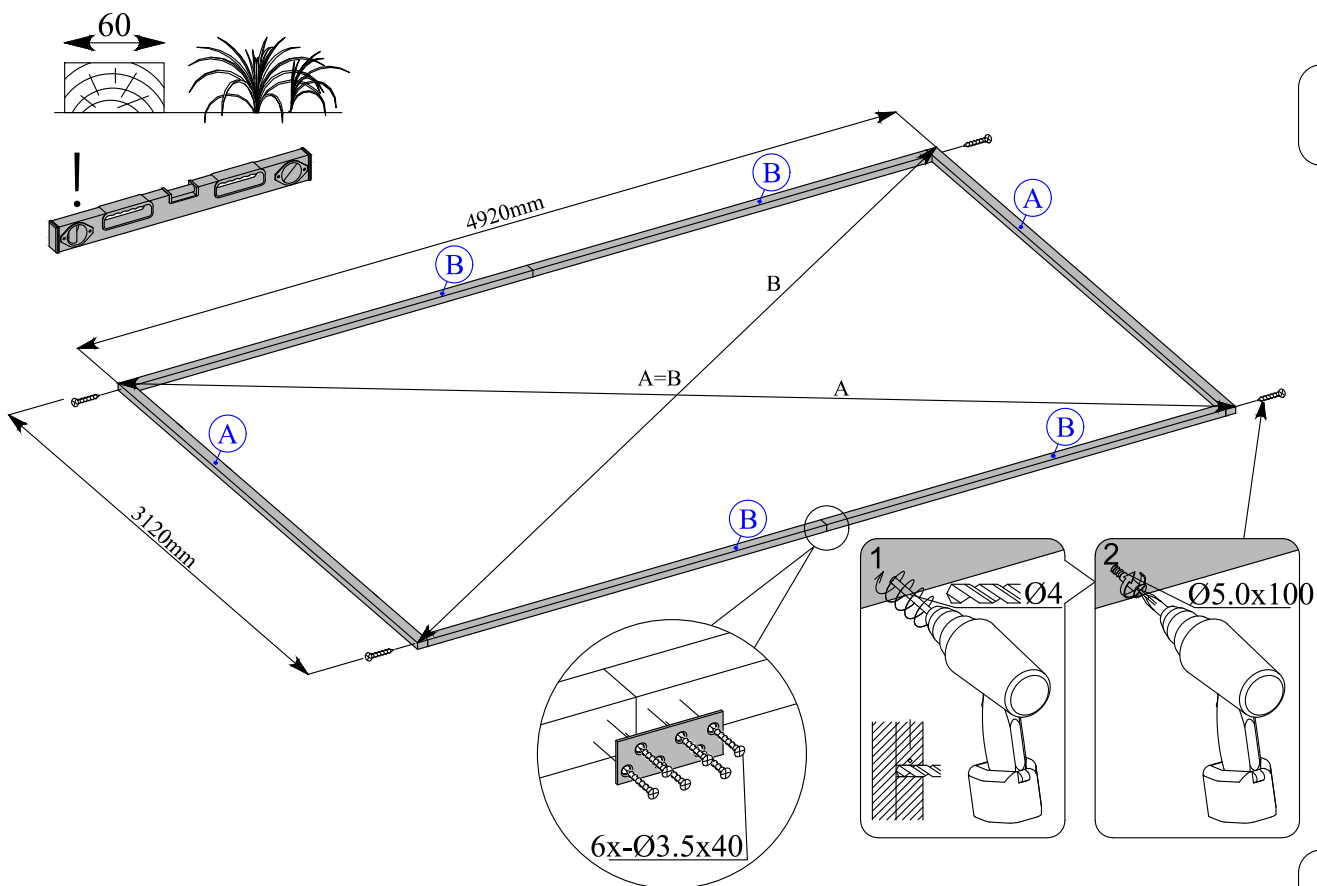


| Dim.  | Skizze, Sketch   | Pos. | Länge,<br>Length | Stck. | Name                                    | Ref.   |
|---|--|------|------------------|-------|---|--------|
|    |     | Ⓐ    | 3120             | 2     | Fundamentbalken<br>Foundation beam      | 283065 |
|   |  | Ⓑ    | 2400             | 4     | Fundamentbalken<br>Foundation beam      | 283080 |
|    |     | ①    | 3300             | 2     | Front/zurück Brett<br>Front, Back board | 280010 |
|   |     | ②    | 5100             | 29+1  | Seiten Brett<br>Side board              | 280013 |
|   |     | ③    | 3300             | 20+1  | Front/zurück Brett<br>Front, Back board | 280012 |
|   |     | ④    | 442              | 34    | Front Brett<br>Front board              | 280011 |
|   |     | ⑤    | 1280             | 14    | Seiten Brett<br>Side board              | 280014 |
|   |    | ⑥    | 1280             | 7     | Seiten Brett<br>Side board              | 280015 |
|   |   | ⑦    | 5200             | 2     | Seiten Brett<br>Side board              | 280195 |
|  |   | ⑧    | 3500             | 2     | Side board<br>Front/zurück Brett        | 281047 |
|   |  | ⑨    | 3446             | 2     | Seiten Brett<br>Front, Back board       | 282042 |
|  |   | ⑩    | 728              | 2     | Seiten Brett<br>Side board              | 282043 |
|  |   | ⑪    | 728              | 2     | Seiten Brett<br>Side board              | 282044 |
|  |   | ⑫    | 504              | 2     | Seiten Brett<br>Side board              | 282045 |
|  |   | ⑬    | 504              | 2     | Seiten Brett<br>Side board              | 282046 |

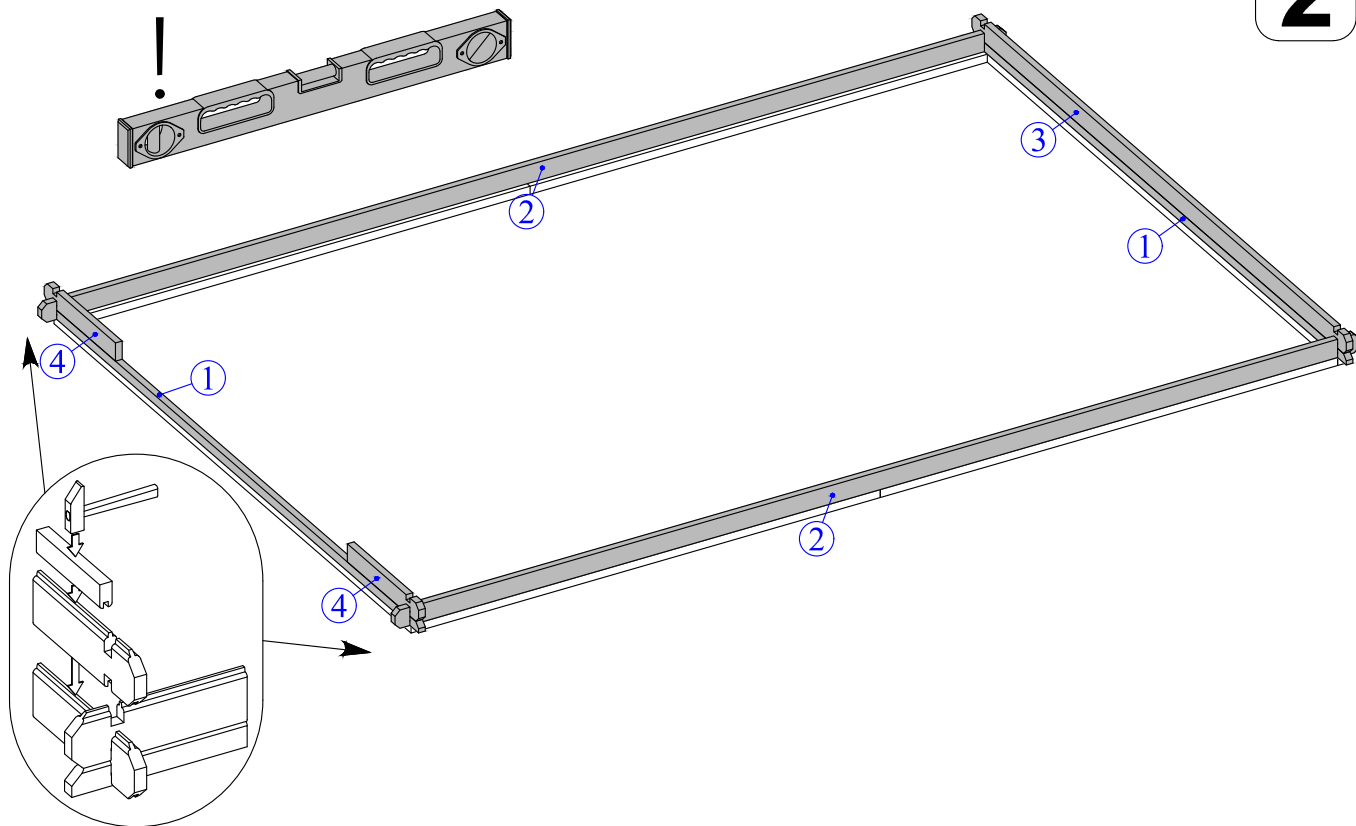
|   |   |               |      |                                      |                           |        |
|---|---|---------------|------|--------------------------------------|---------------------------|--------|
|    |    | 14            | 3500 | 8                                    | Strahl                    | 284070 |
|    |    | 15            | 2920 | 40+2<br>(32+2)                       | Dachbretter<br>Roof board | 284523 |
|   |   | 15a           | 2360 | 40+2<br>(32+2)                       | Dachbretter<br>Roof board | 284517 |
|    |    | 16            | 3538 | 2                                    | Windbretter<br>Wind board | 285046 |
|   |   | 17b           | 2920 | 1                                    | Windbretter<br>Wind board | 285048 |
|   |   | 17a           | 2920 | 1                                    | Windbretter<br>Wind board | 285048 |
|   |   | 18            | 2380 | 1                                    | Windbretter<br>Wind board | 285047 |
|   |   | 18a           | 2380 | 1                                    | Windbretter<br>Wind board | 285047 |
|  |  | 19            | 1835 | 1                                    | Latte                     | 287106 |
|  | GR1   | 1960          | 1    | Türrahmen links<br>Door frame left   | 289212                    |        |
|  | GR2   | 1960          | 1    | Türrahmen rechts<br>Door frame right | 289213                    |        |
|  | GR3   | 2405          | 1    | Über Türrahmen<br>Door frame top     | 289214                    |        |
|  | G1  | 1845x<br>1170 | 1    | Gate links                           | 289009 G1                 |        |
|   | G2  | 1845x<br>1170 | 1    | Doors<br>Gate rechts                 | 289009 G2                 |        |
|  | F   | 700x880       | 2    | Fenster<br>Window                    | 289101                    |        |

|   | Pos. | Dim        | Stck. |  | Skizze, Sketch  | Stck.  |
|---|------|------------|-------|--|---|--|
|  |      | Ø5.0 x 100 | 8     |  |  | 6  |
|   |      | Ø3.5 x 40  | 82    |  |   |  |
|   |      | Ø3.0 x 25  | 4     |  |   |  |
|   |      |            |       |  |   |  |
|   |      |            |       | Skizze, Sketch   | Stck.   |  |
|  |      | Ø2.0 x 40  | 450   |  | 2   |  |
|   |      |            |       |  |   |  |
|   |      |            |       |  | Skizze, Sketch  | Stck.  |
|   |      |            |       |  |   | 2  |

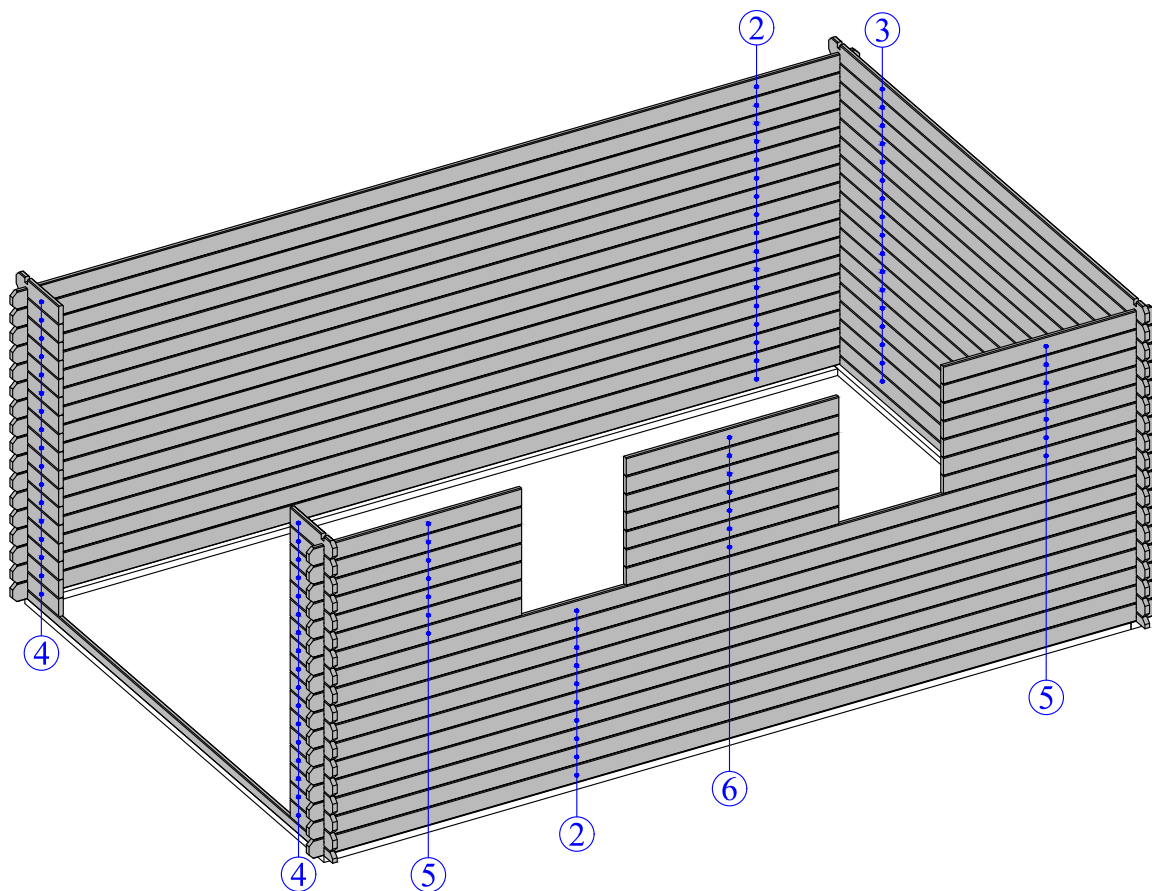
1



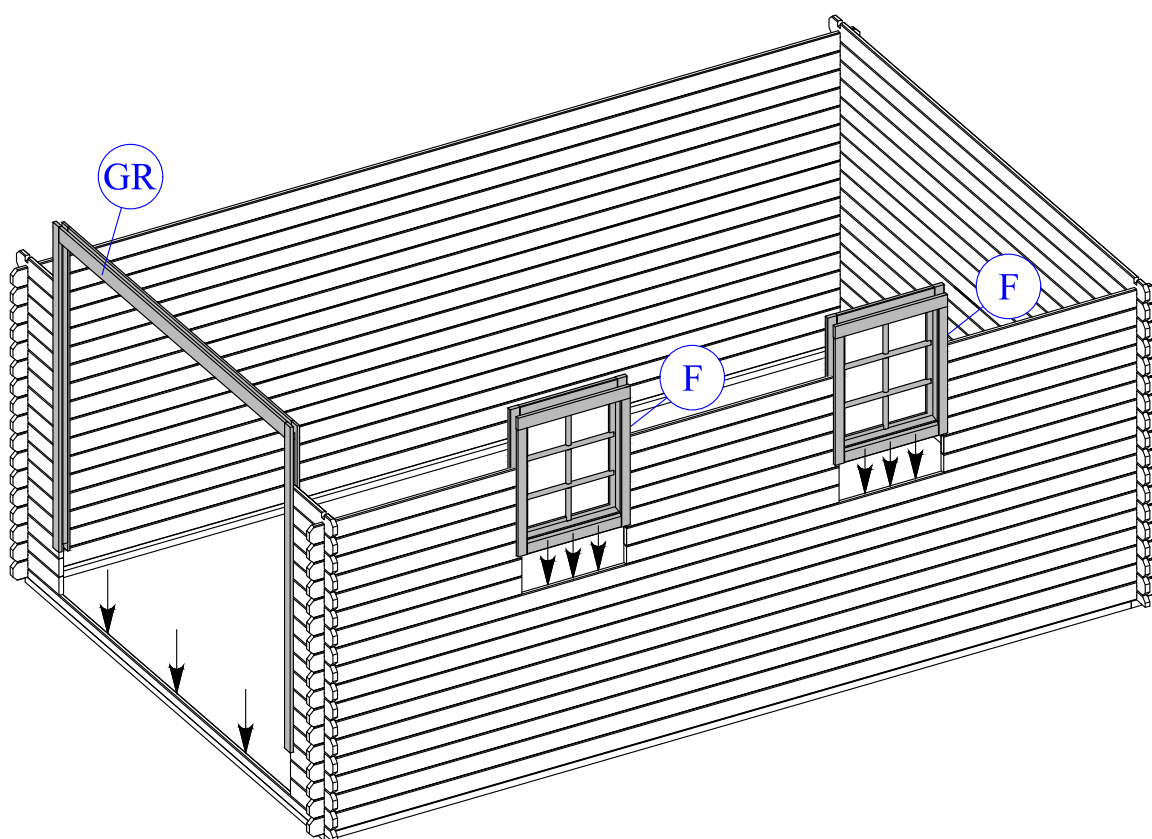
2



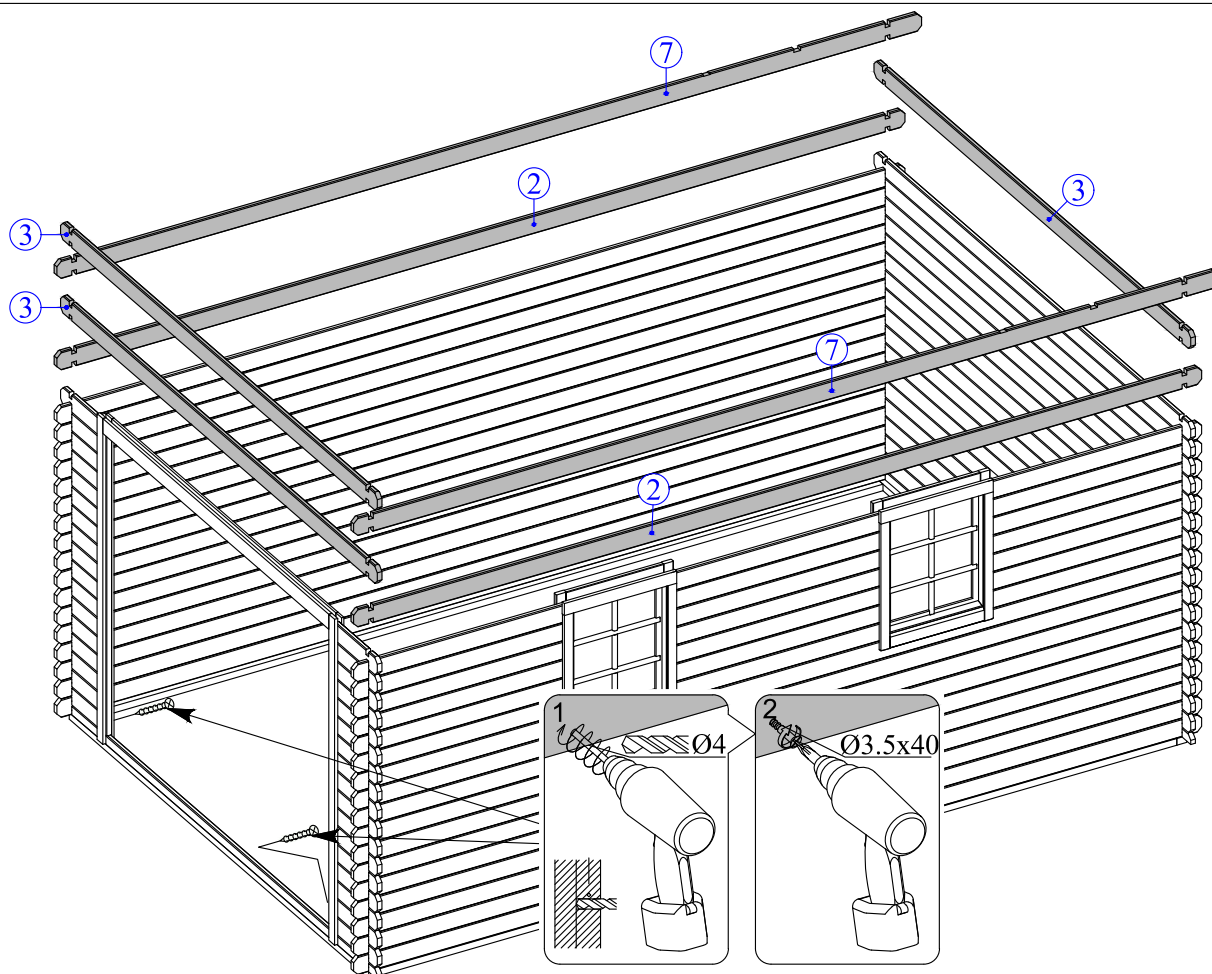
3



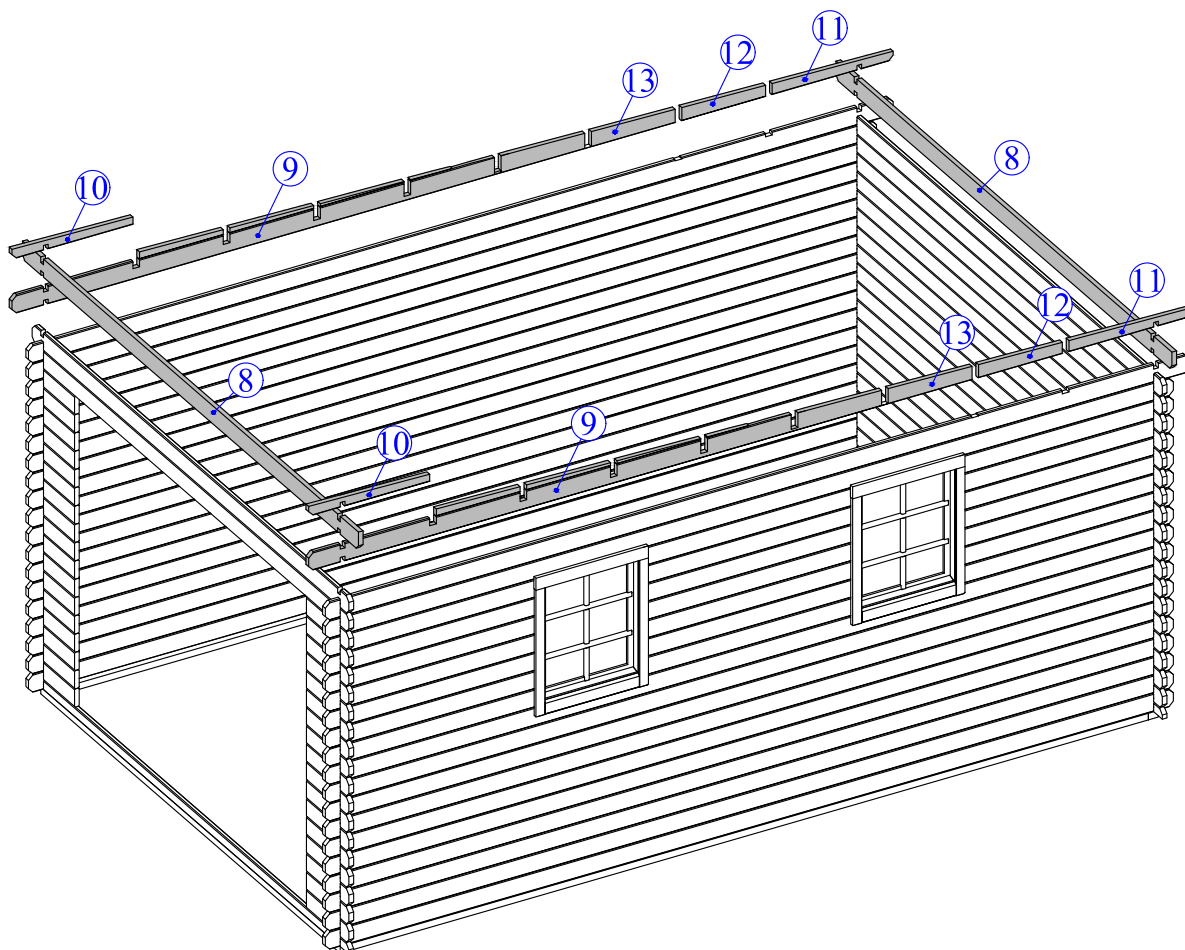
4



5

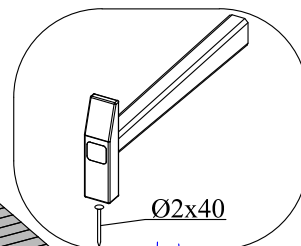
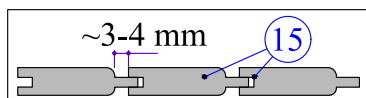
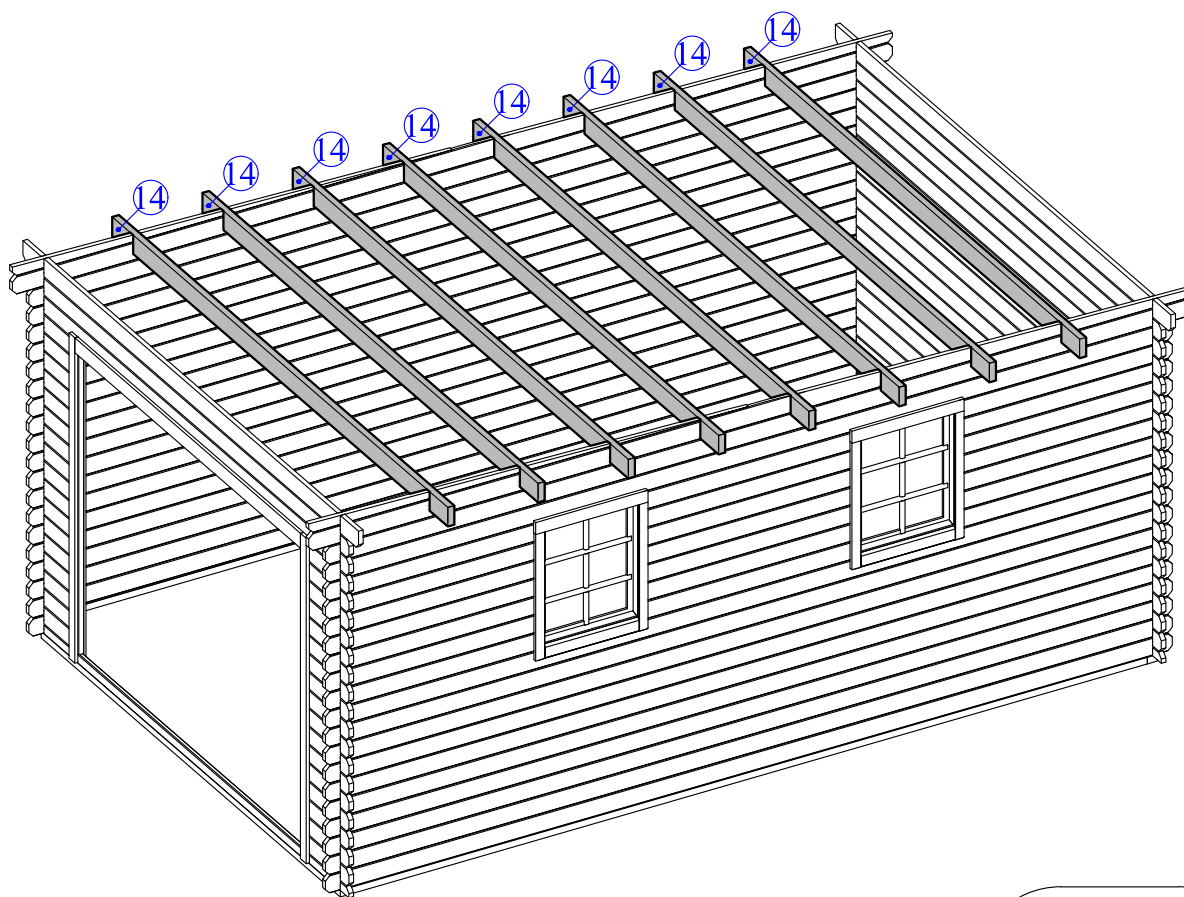


6

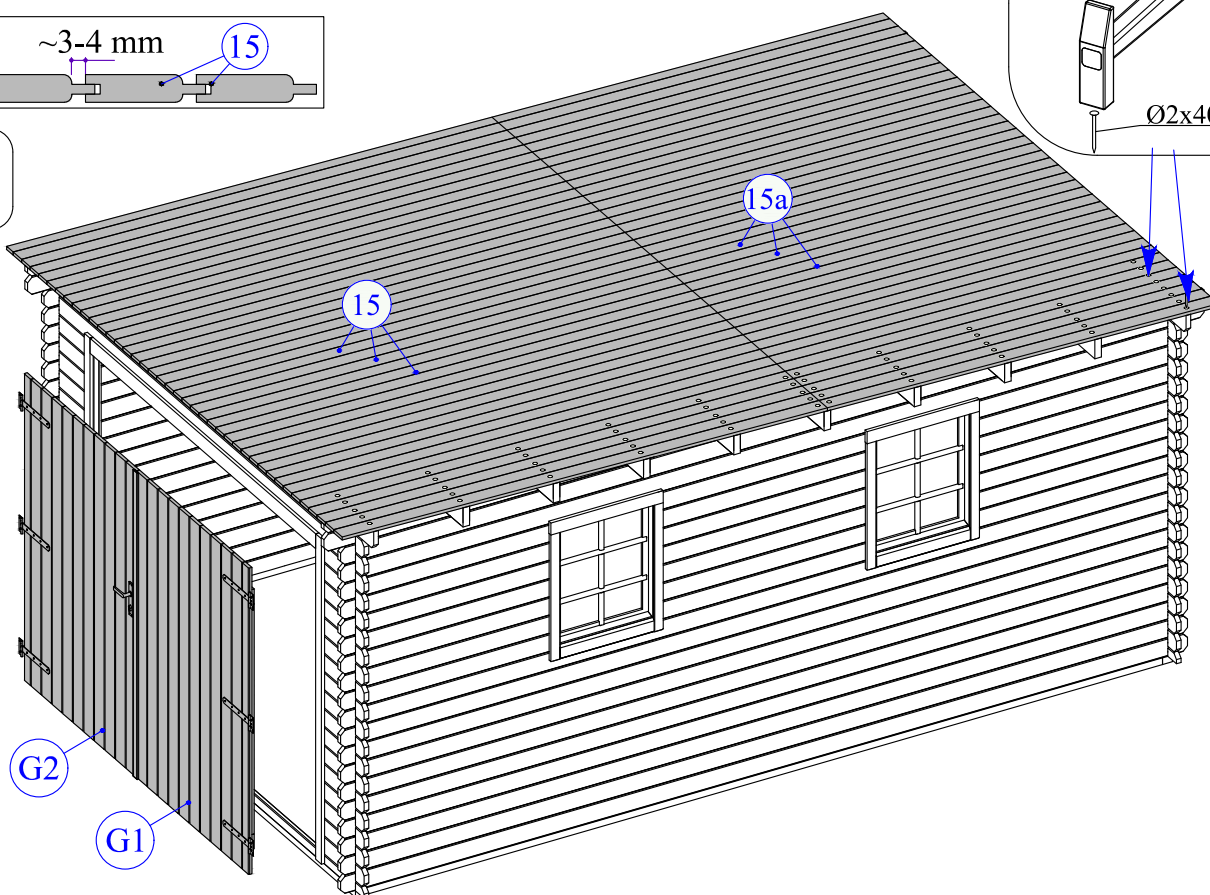




7



8





9

