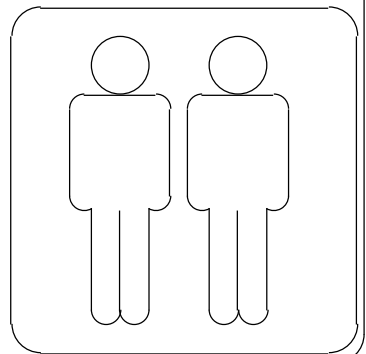
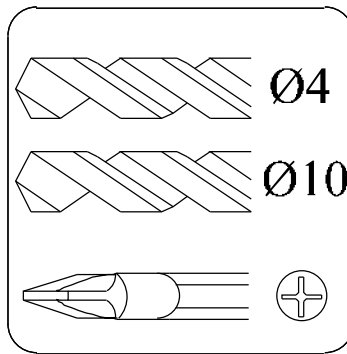
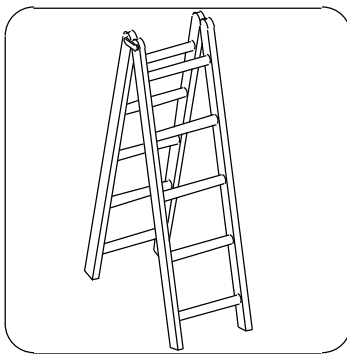
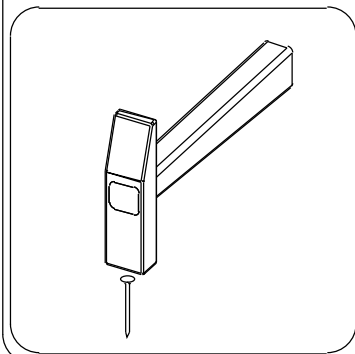
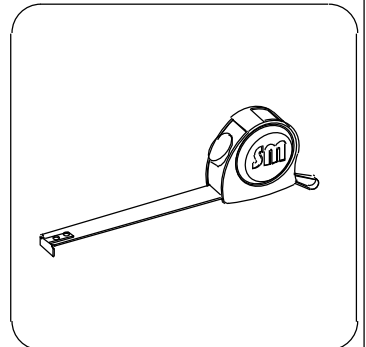
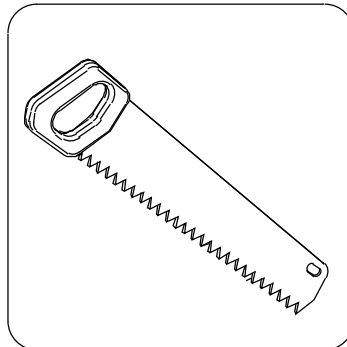
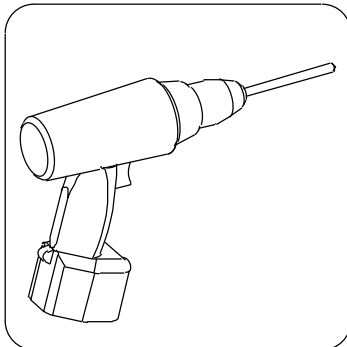
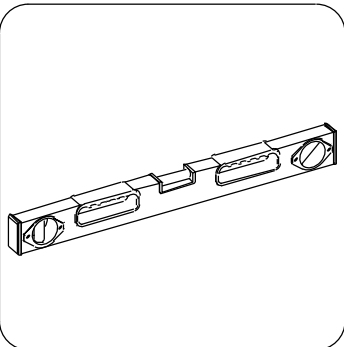
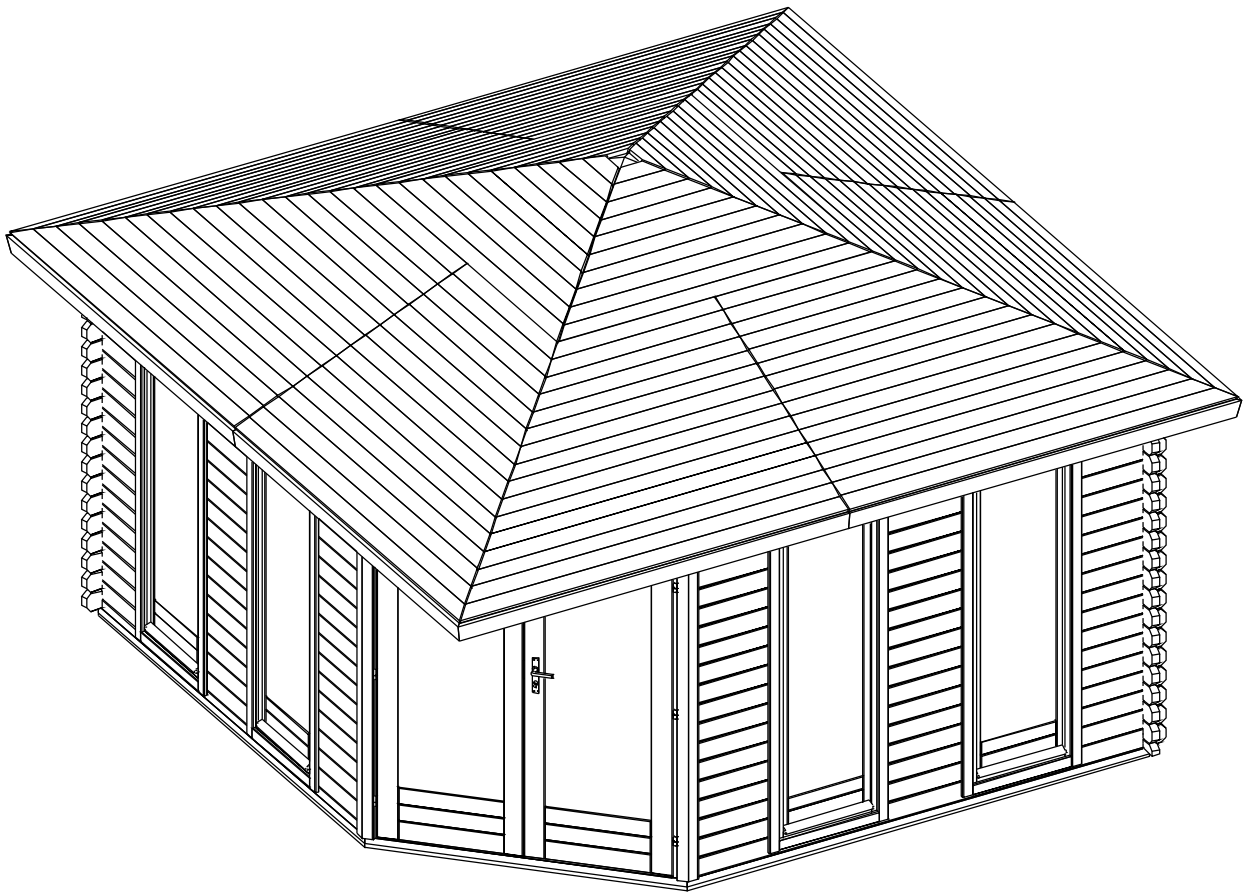


→||←40mm

4,0 x 4,0

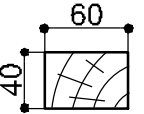
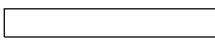
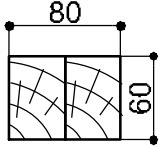
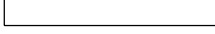



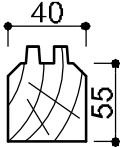

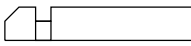
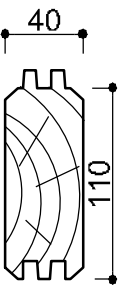

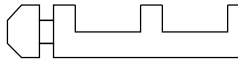
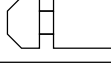
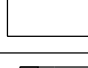
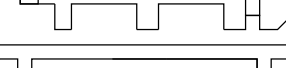
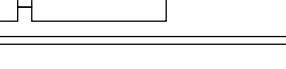
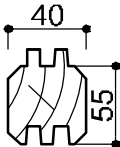
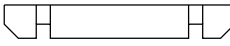
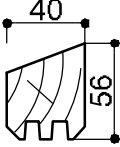

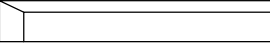
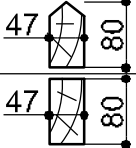
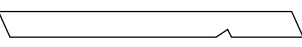
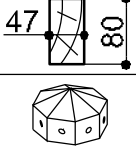
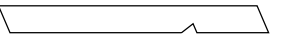
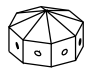
**40063**



→||←40mm

## SPECIFICATION 4,0 x 4,0

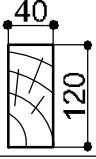

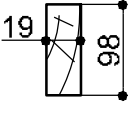


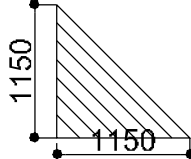
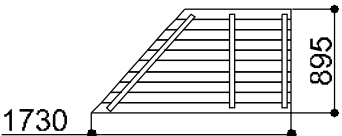
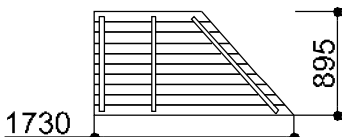
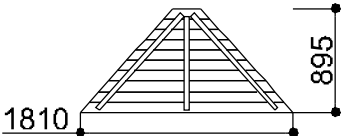
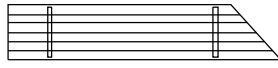
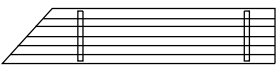
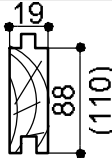
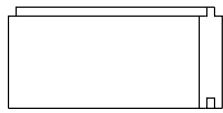
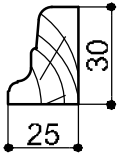

**40063**

Dim.	Skizze	Pos.	Länge (mm)	Stck.	Name	Ref.
		①	3000	6	Fundamentbalken Lambourdes Foundation beam	283039
		①a	400	6		283084
		①b	660	6		283113
		②	3660	1		283101
		③	3740	1		283102
		④	2648	2		283103
		⑤	1657	1		283099
		⑥	4000	1	Zurück Brett Madrier arrière Back board	400087
		⑦	2730	1	Front Brett Madrier avant Front board	400293
		⑧	4000	38+1	Seiten Brett Madrier latéral Side board	400079
		⑨	2730	1	Front Brett Madrier avant Front board	400294
		⑩	515	33	Front Brett Madrier avant Front board	400131
		⑪	470	66	Front/Seiten Brett Madrier latéral/arrière Front/Side board	400030
		⑫	2780	1	Front Brett Madrier avant Front board	400296
		⑬	4000	1	Front Brett Madrier avant Front board	400297
		⑭	4000	2	Seiten Brett Madrier latéral Side board	400088
		⑮	1900	4	Top Brett Madrier haut Top board	401020
		⑯	1900	4	Top Brett Madrier haut Top board	401021
		⑰	3190	4	Top Brett Madrier haut Top board	404029
		⑱	2340	4	Top Brett Madrier haut Top board	404030
		⑲		1	Verbindungen Composé Rafter join	286991

→||←40mm

## SPECIFICATION 4,0 x 4,0

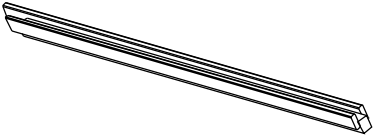
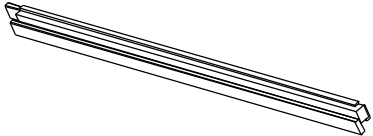
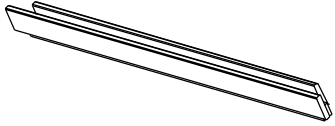
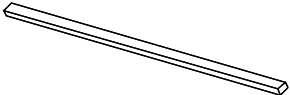
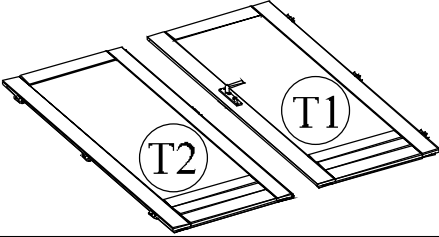
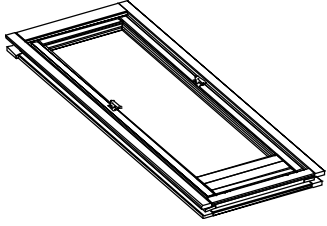
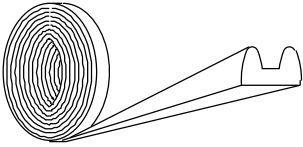
**40063**

Dim.	Skizze	Pos.	Länge (mm)	Stck.	Name	Ref.
		20	1626	1	Front Brett Madrier avant Front board	400289
		21	2280	4	Wind Brett Planche de rive Wind board	285017
		22	2280	4	Wind Brett Planche de rive Wind board	285016
		23	1150 x1150	1	Platte Panneau Panel	192007
		24	1730 x895	4	Dachplatte Panneau de toit Roof panel	284608
		25	1730 x895	4	Dachplatte Panneau de toit Roof panel	284609
		26	1810 x895	4	Dachplatte Panneau de toit Roof panel	284607
		37	2215 x540	4	Dachplatte Panneau de toit Roof panel	284611
		36	2215 x540	4	Dachplatte Panneau de toit Roof panel	284610
		27	3745	43 (35)	Boden Bretter Plancher bois Floor board	283512
		28	3770	2		283230
		29	450	6		283271

→||←40mm

## SPECIFICATION 4,0 x 4,0

**40063**

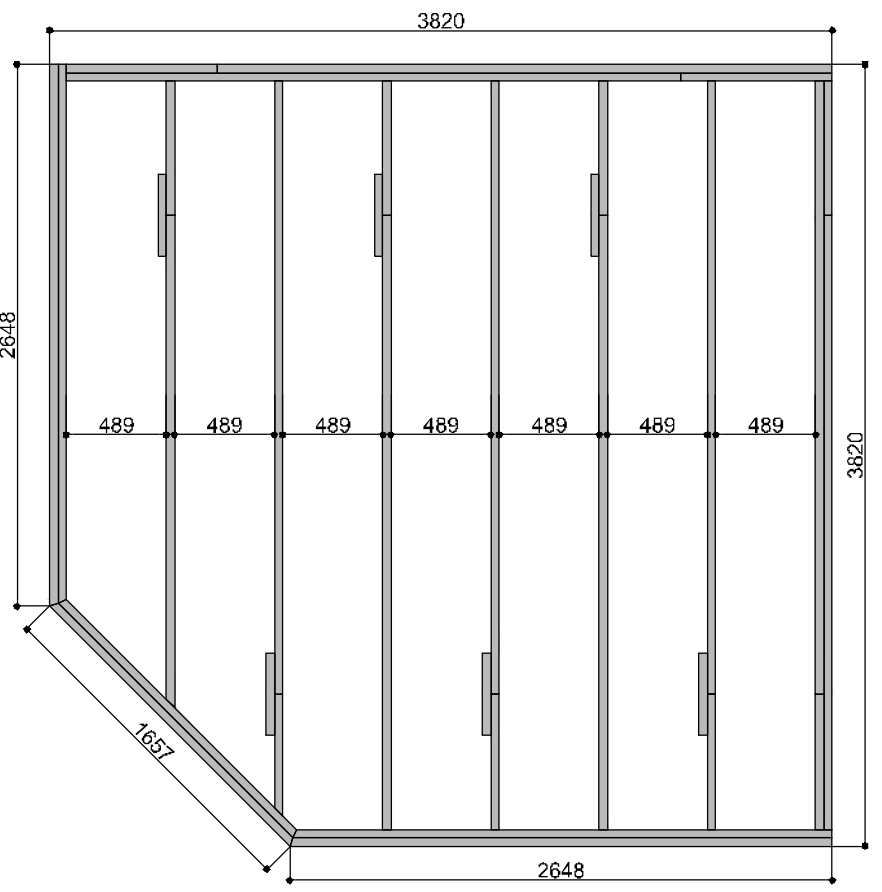
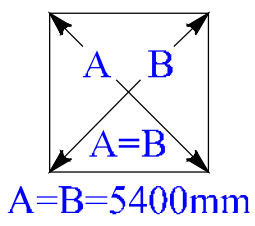
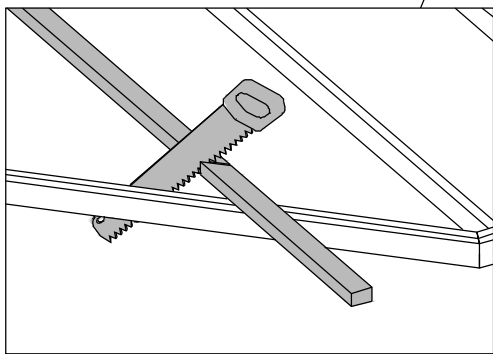
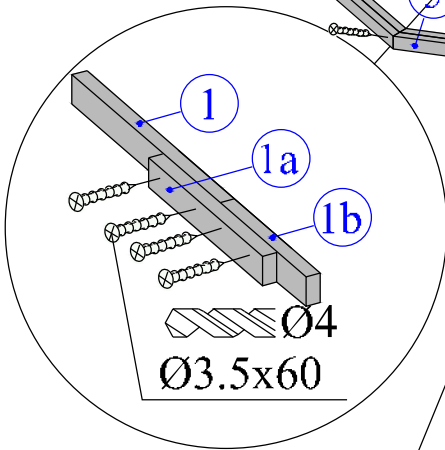
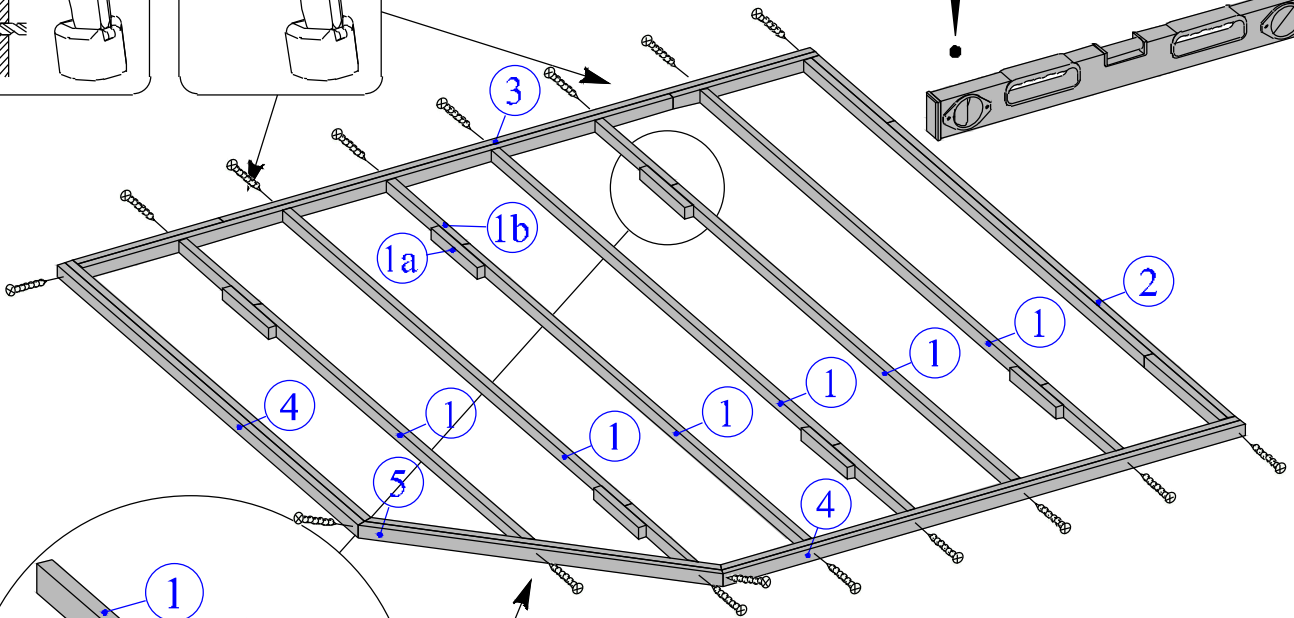
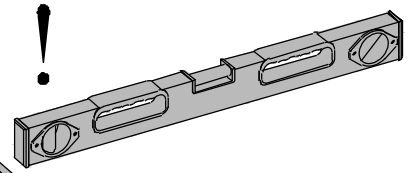
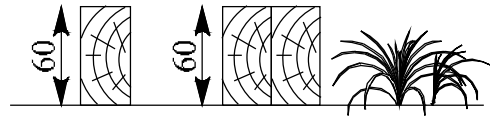
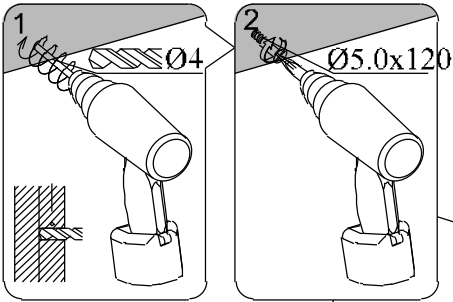
	<b>TR1</b>	1973	1	Türrahmen links Cadre de porte gauche Door frame left	409231
	<b>TR2</b>	1973	1	Türrahmen rechts Cadre de porte droite Door frame right	409232
	<b>TR3</b>	1600	1	Über Türrahmen Montant supérieur Door frame top	409235
	<b>TR4</b>	1500	1	Türstufe Latte de finition bas Door frame bottom	409236
	<b>T1</b>	1850x 765	1	Tür Porte Doors	289022
	<b>T2</b>	1850x 765	1		289022
	<b>F1</b>	1955x 700	4	Fenster Fenêtre Window	409111
		30m	1	Dichtgummi étanchéité en caoutchouc scaling rubber	

→||←40mm

4,0 x 4,0

**40063**

**1**

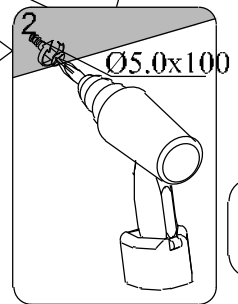
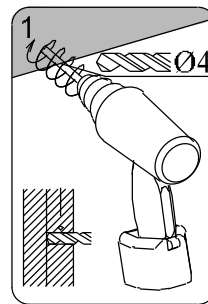
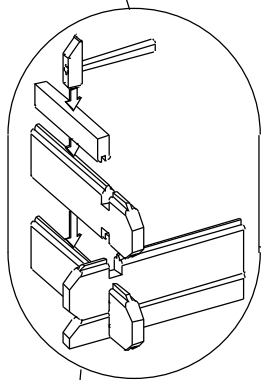
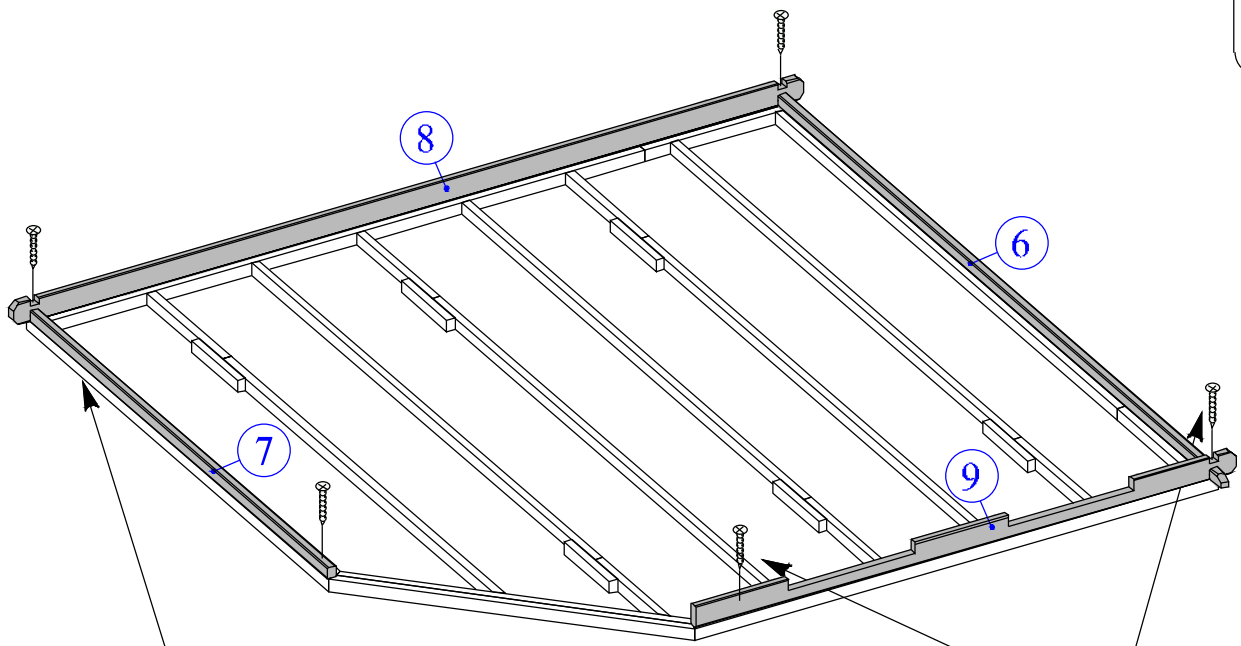


→||←40mm

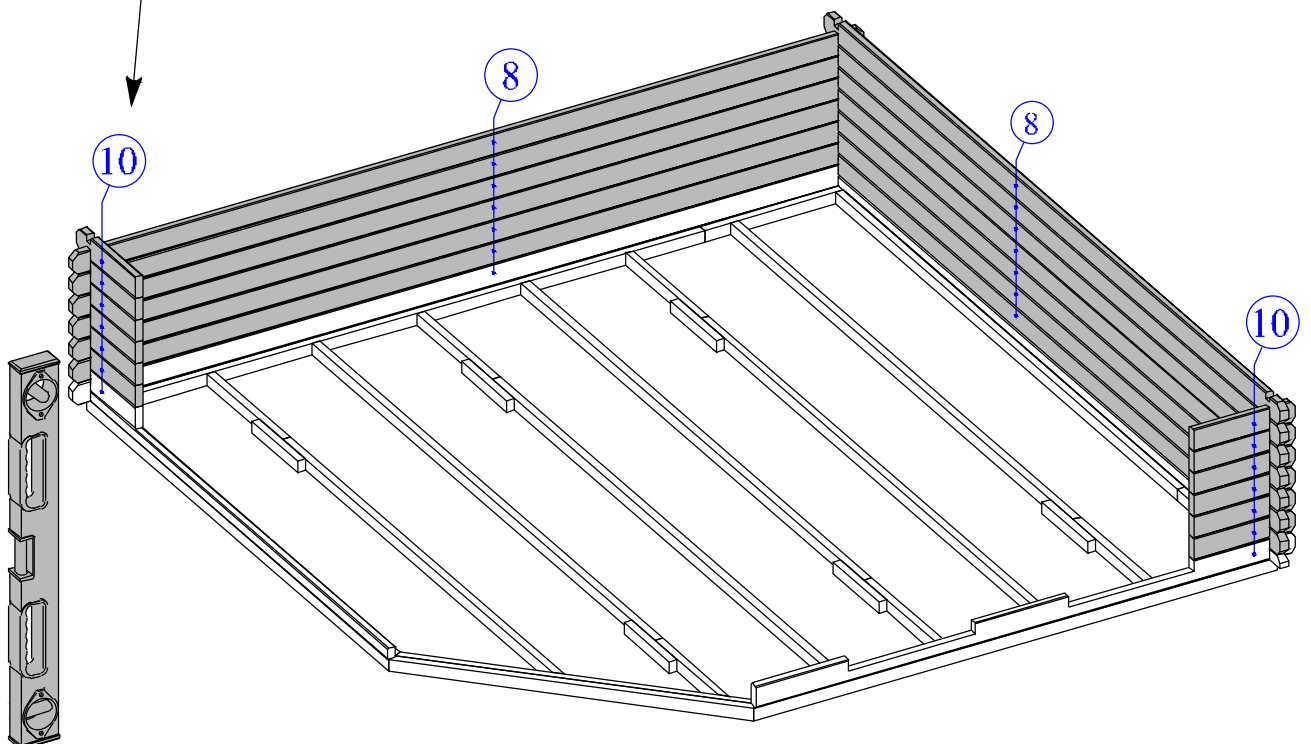
4,0 x 4,0

40063

2



3

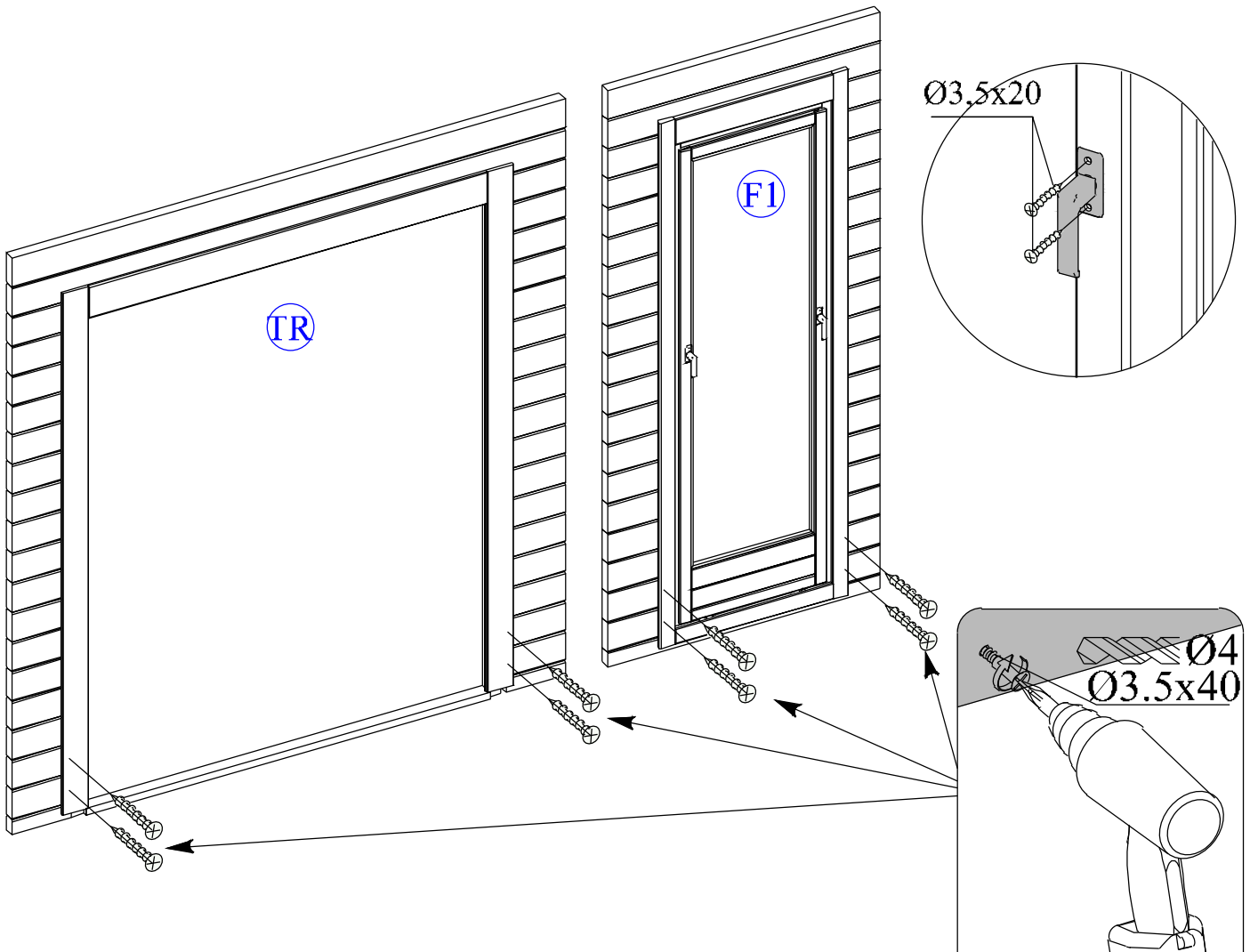
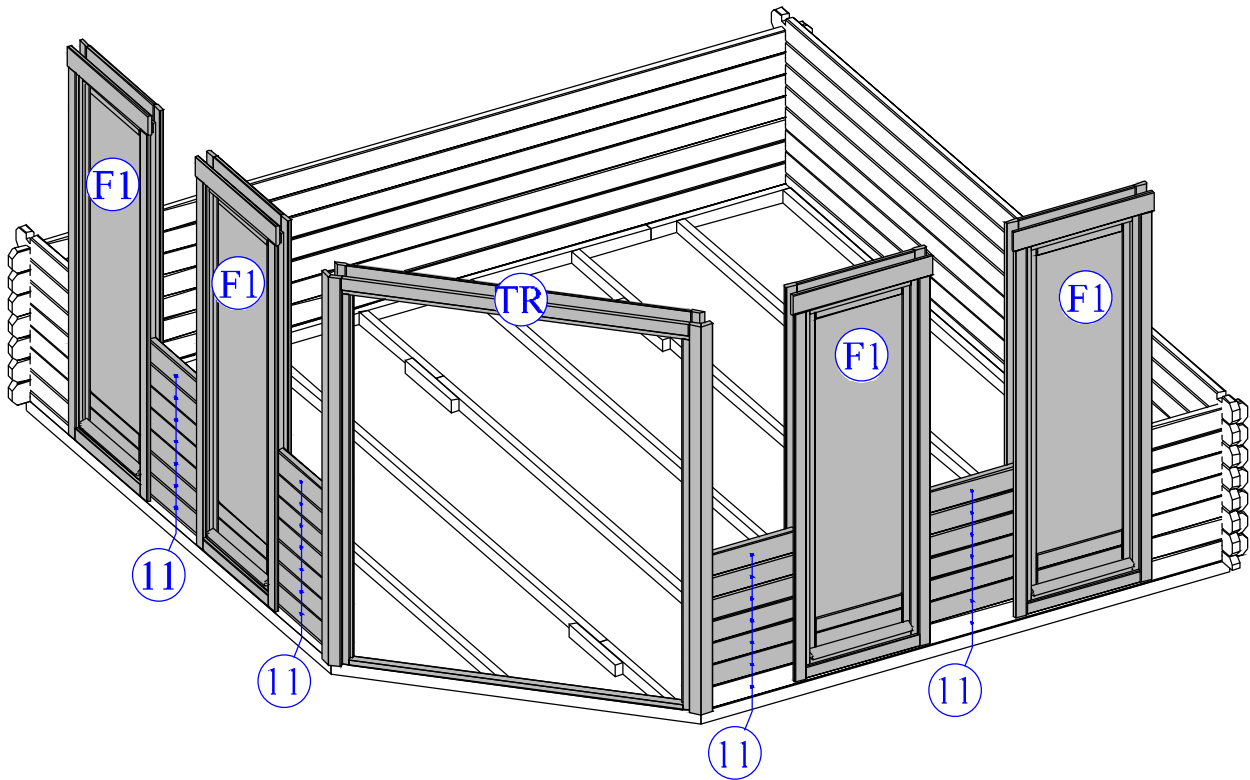


→||←40mm

4,0 x 4,0

40063

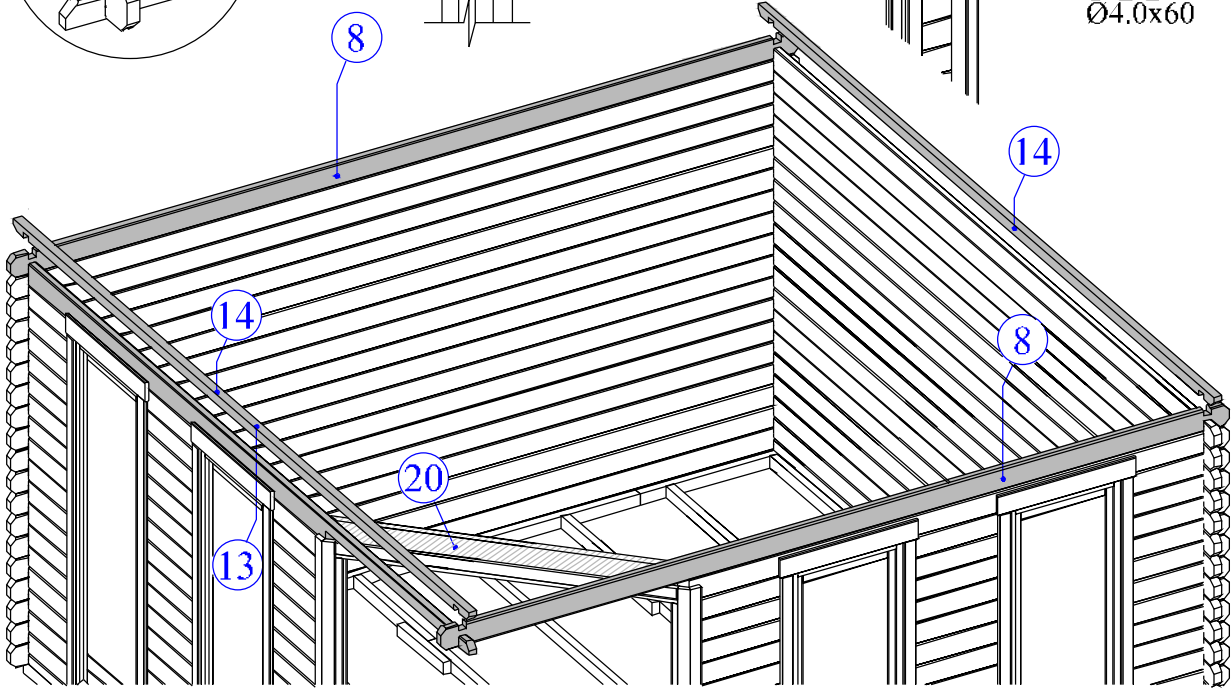
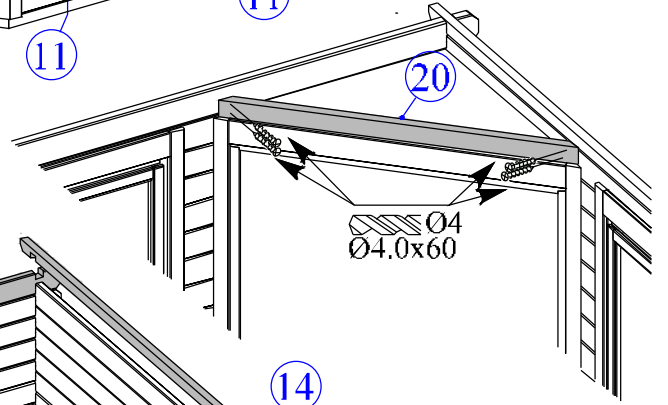
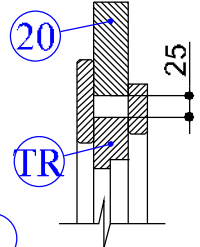
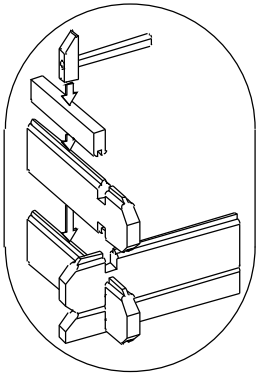
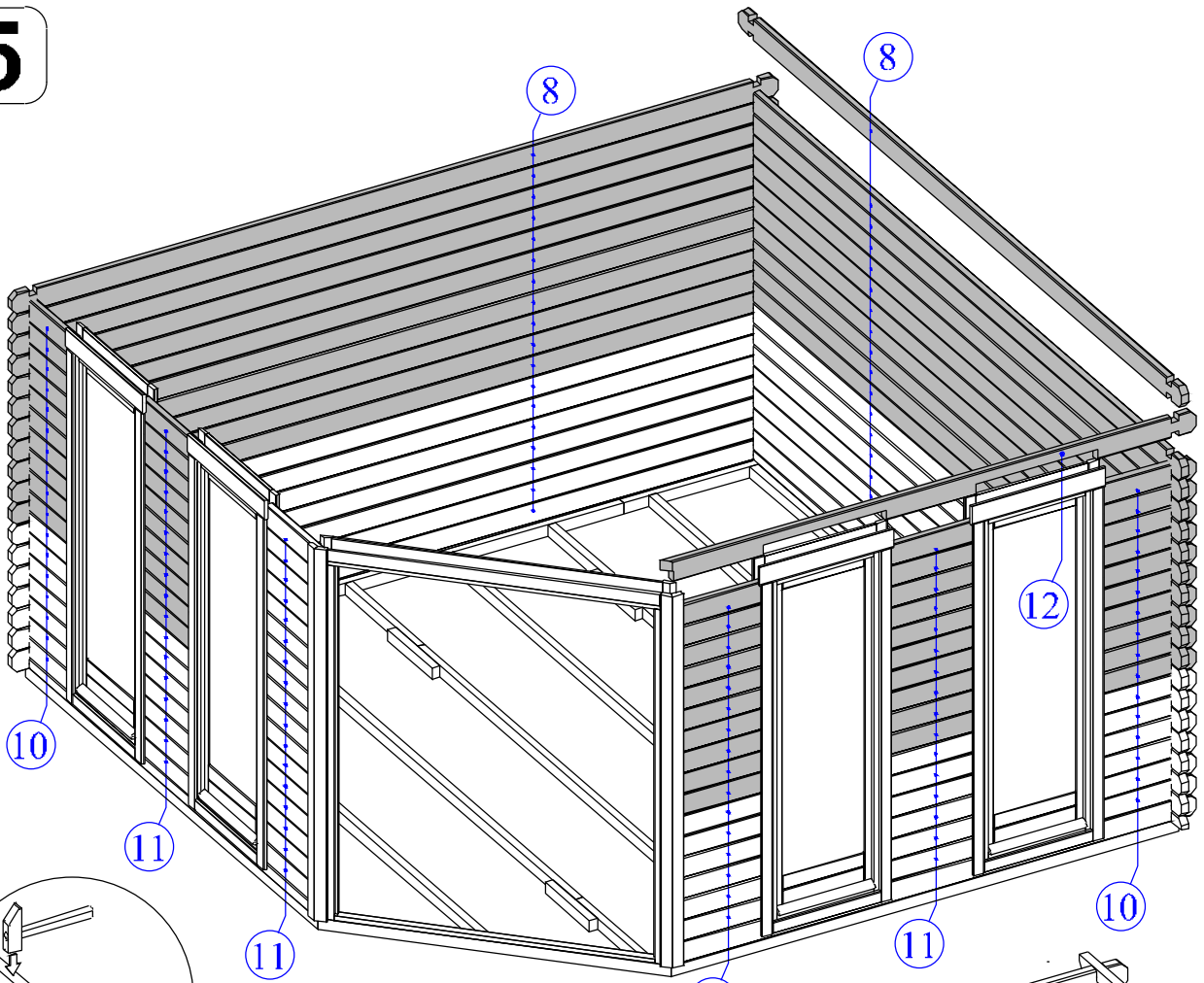
4



→||←40mm

4,0 x 4,0 **40063**

**5**



**6**

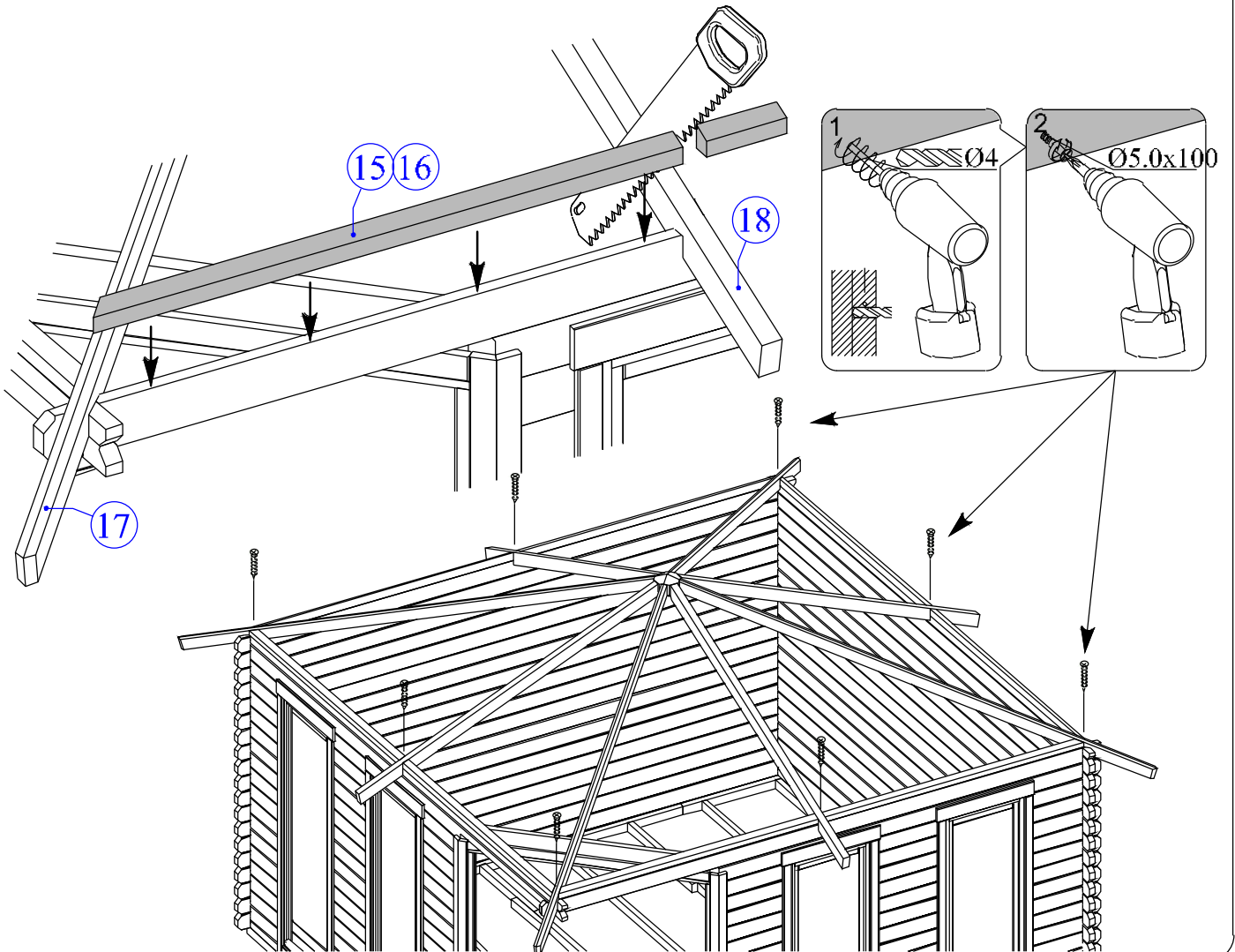
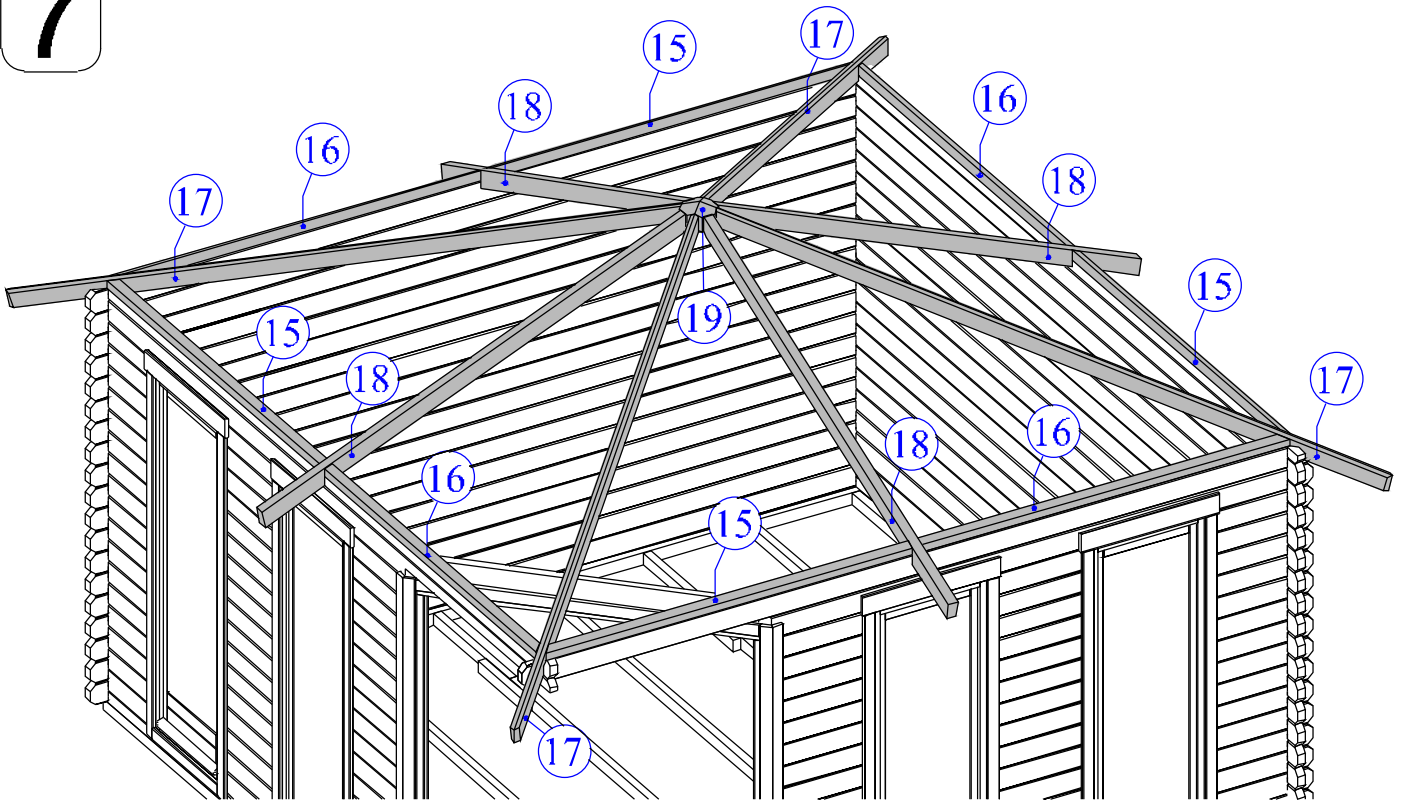


→||←40mm

4,0 x 4,0

**40063**

**7**

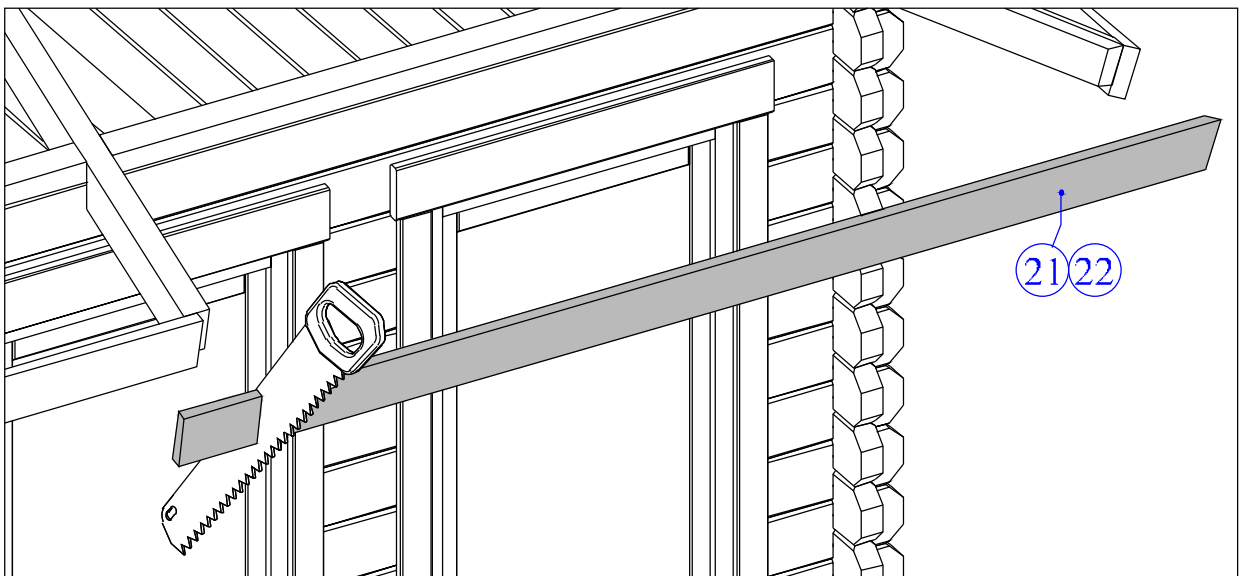
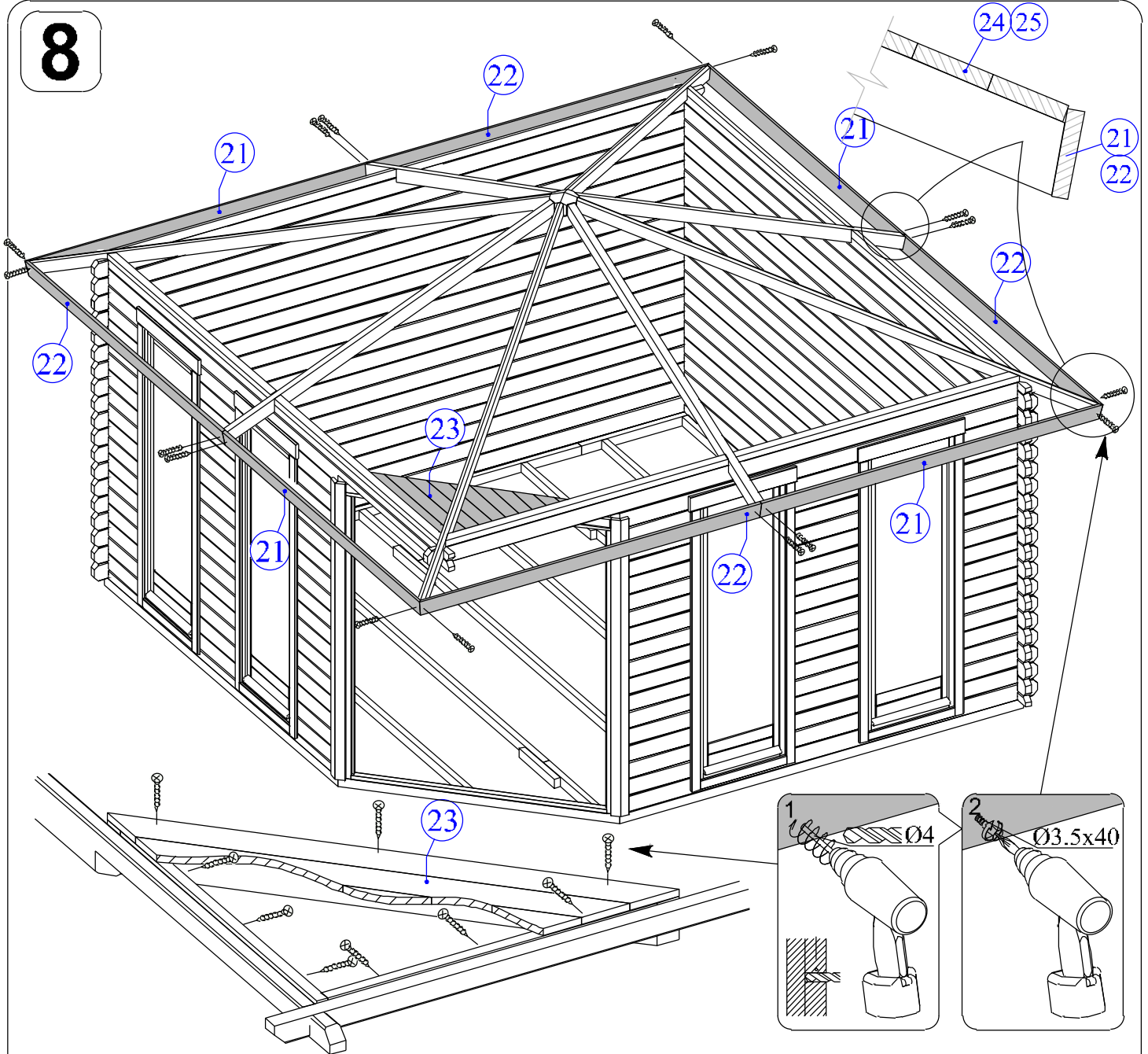


→||←40mm

4,0 x 4,0

40063

8

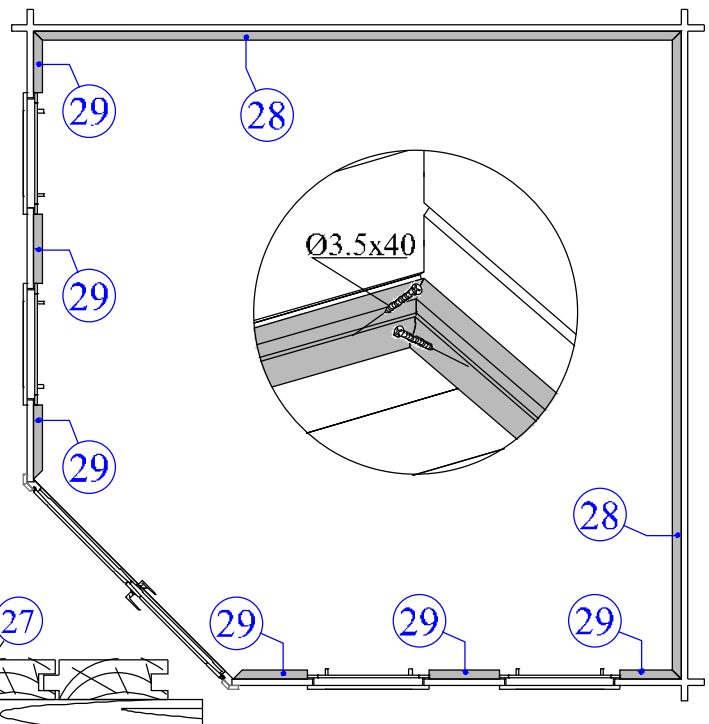
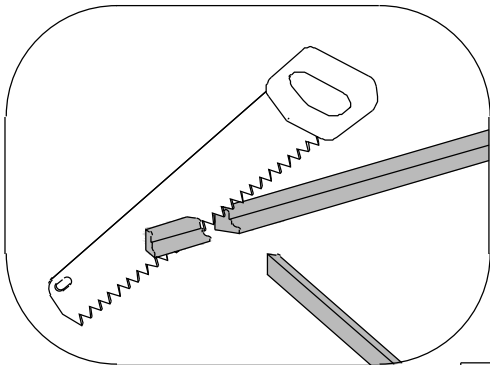
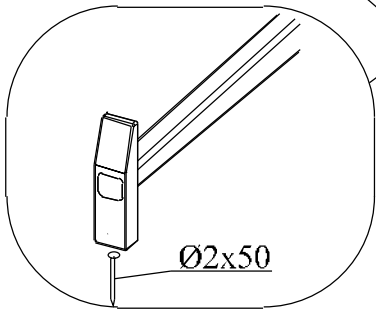
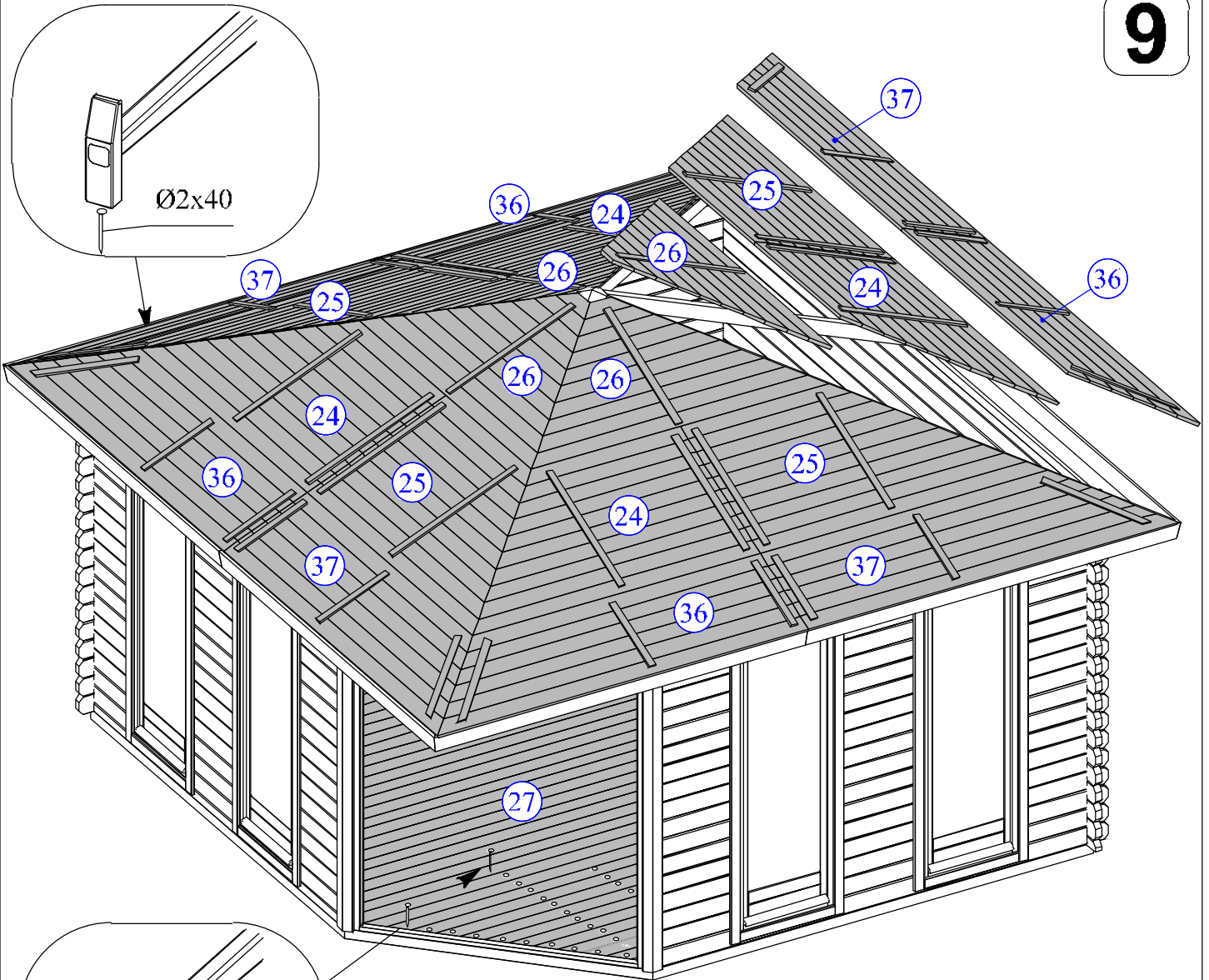


→||←40mm

4,0 x 4,0

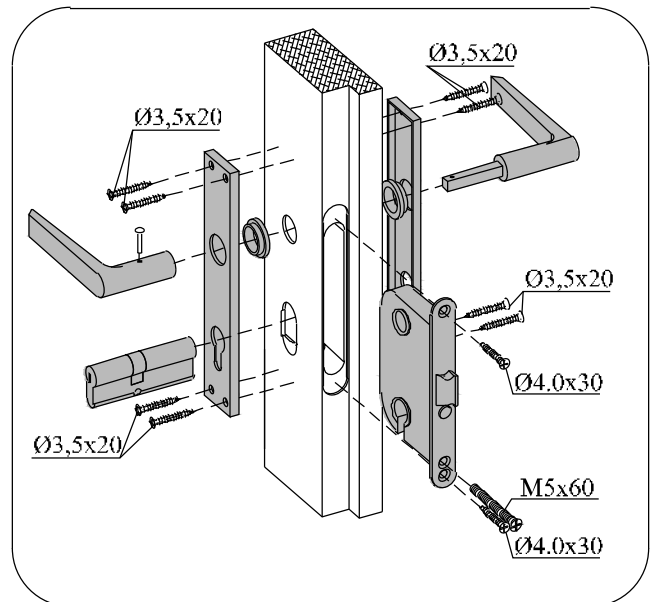
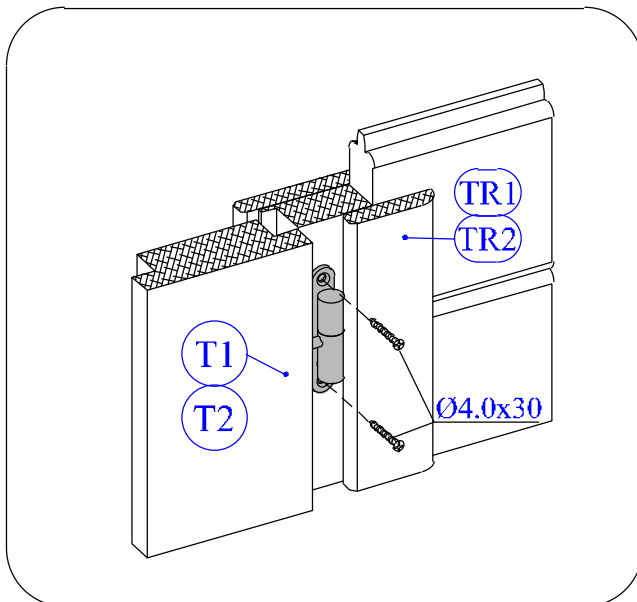
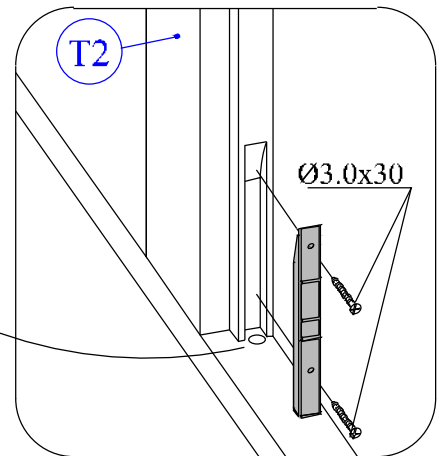
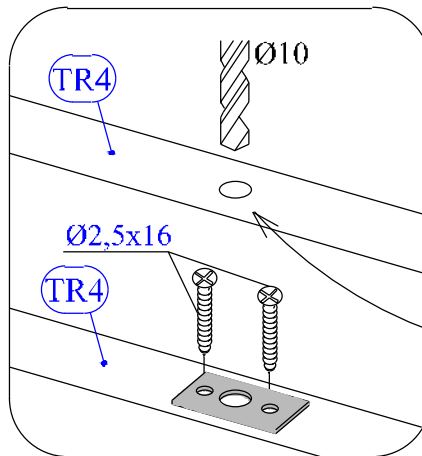
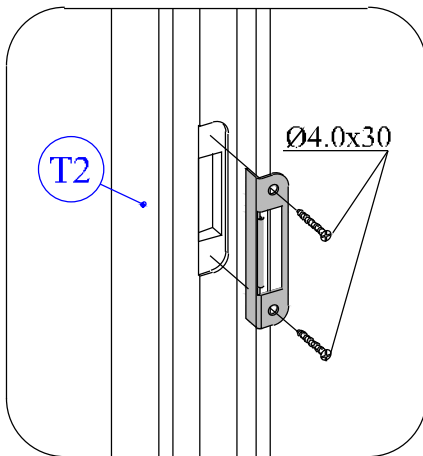
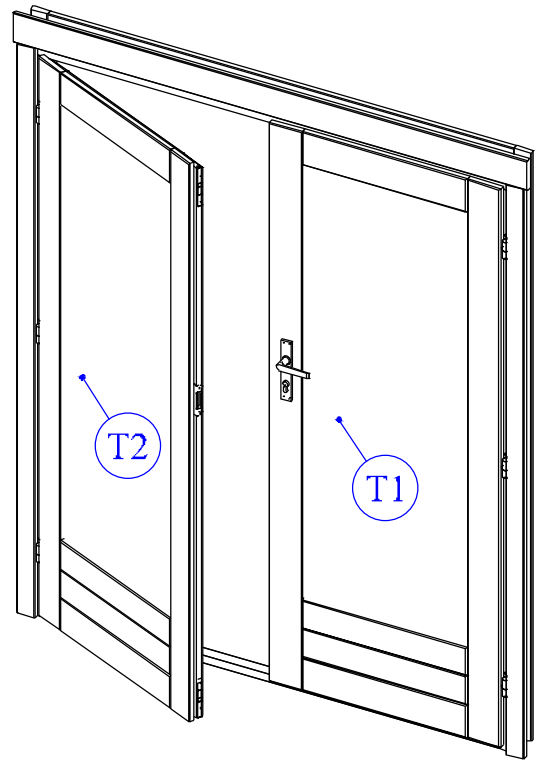
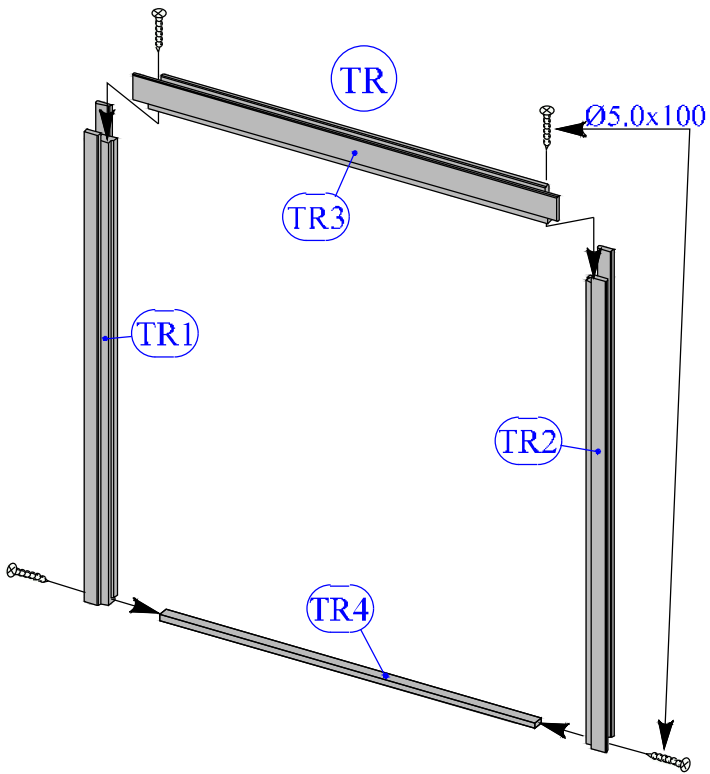
40063

9



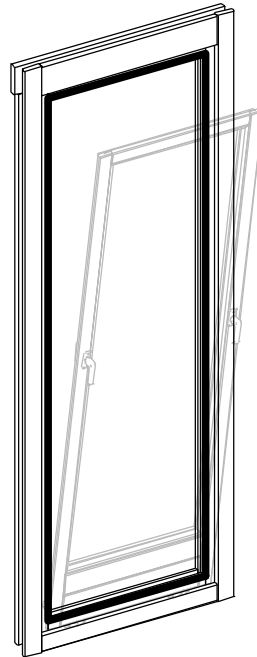
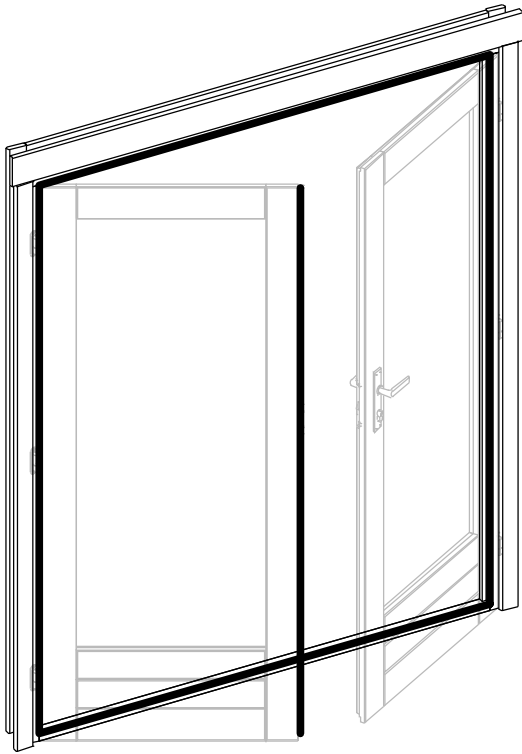
→||←40mm

4,0 x 4,0 **40063**



→||←40mm

4,0 x 4,0 **40063**



Dichtgummi  
étanchéité en caoutchouc  
sealing rubber

