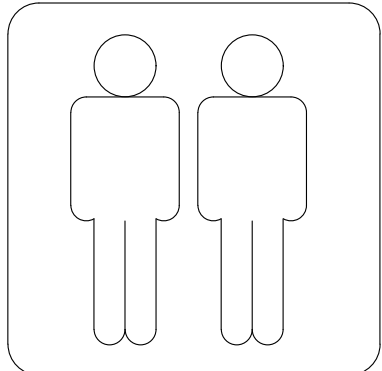
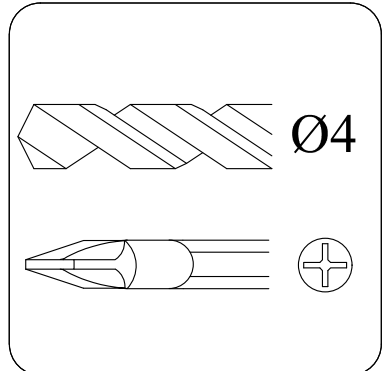
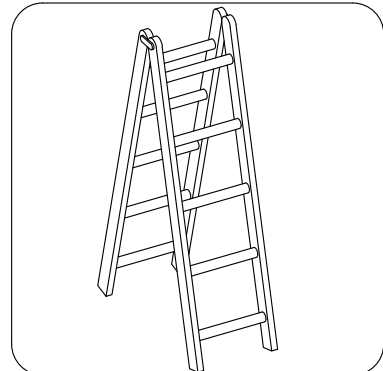
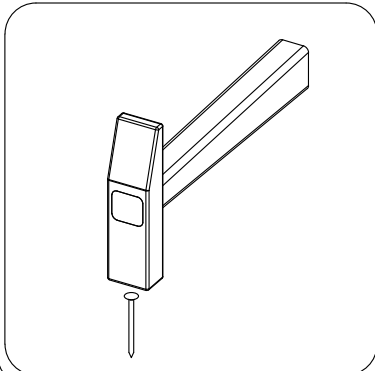
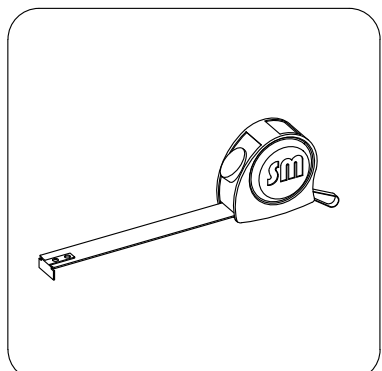
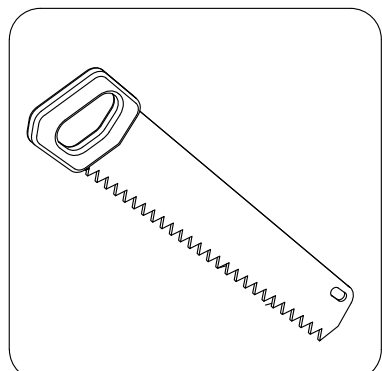
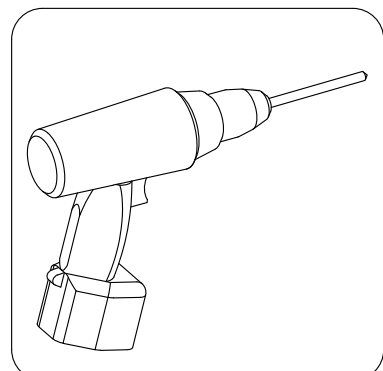
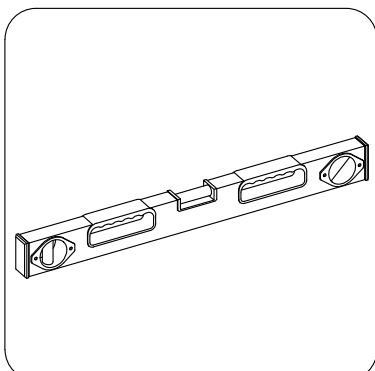
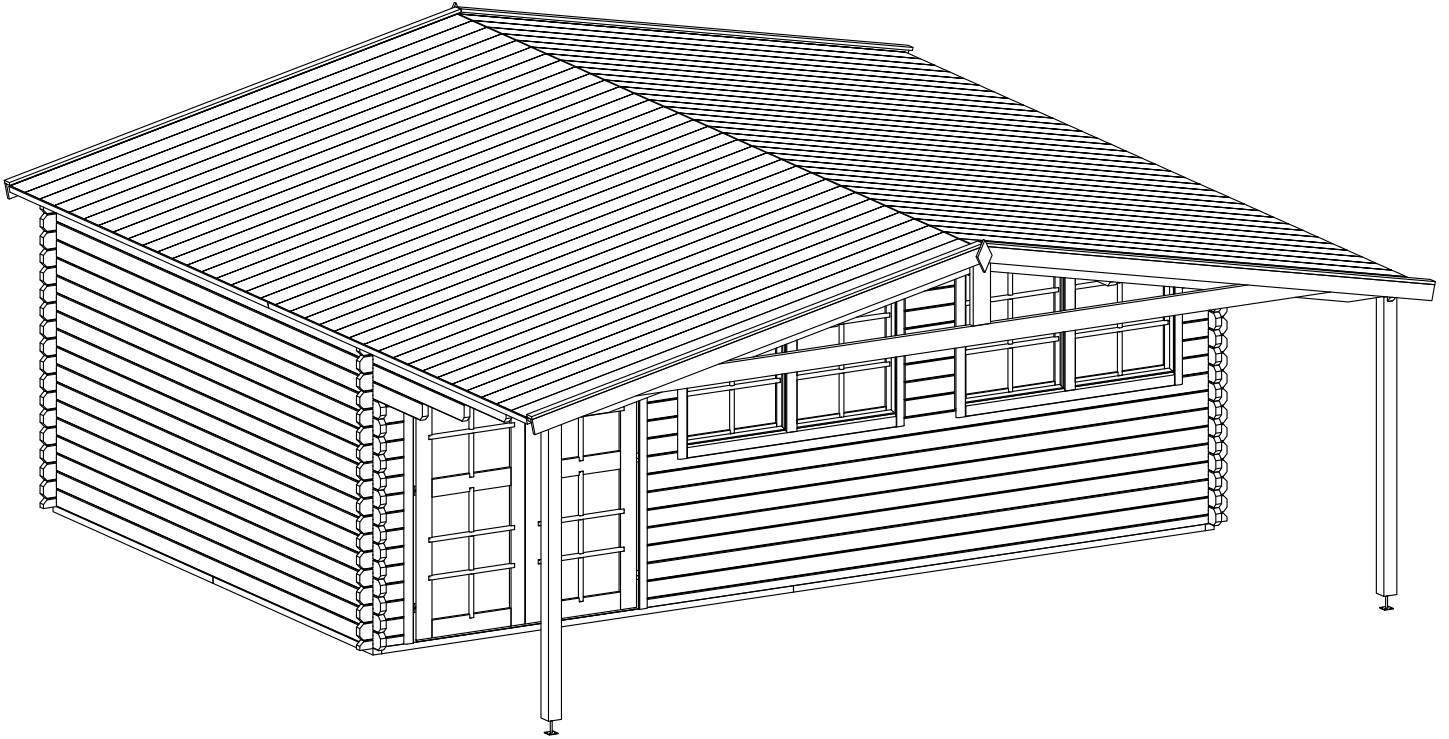


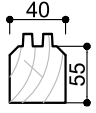
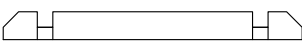

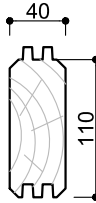
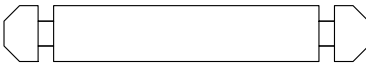
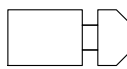

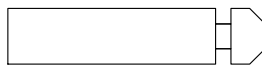
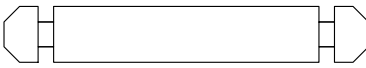
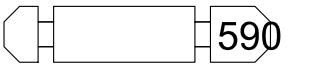
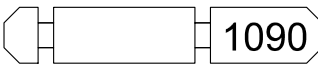
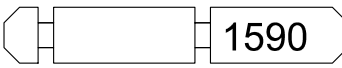
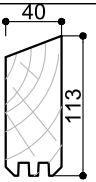
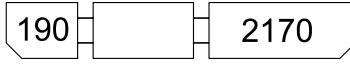
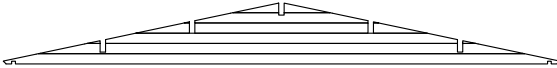
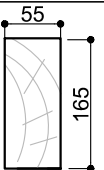

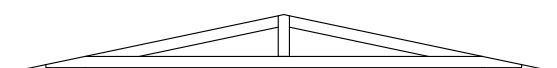
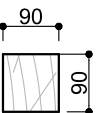

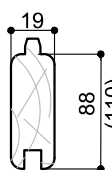
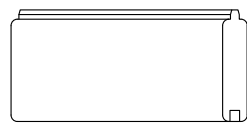
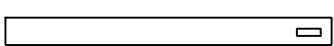
→||←40mm

5,98 x 4,00+2,1

40011

DE
ENG




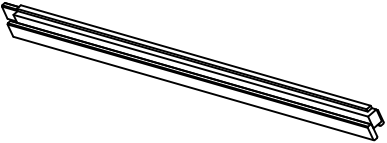

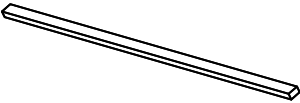
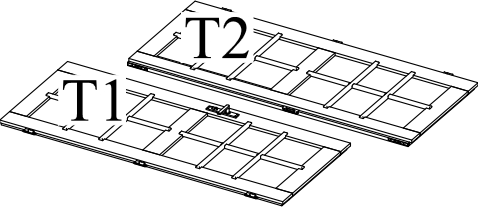
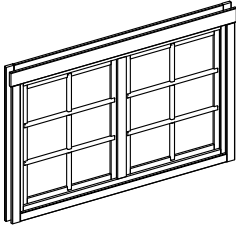
Dim.	Skizze, sketch	Pos.	Länge, Length, mm	Qte.	Name	Ref.
		①	5980	1	Zurück Brett Back board	400066
		②	285	1	Front Brett Front board	400038
		③	4080	1	Front Brett Front board	400251
		④	4000	28+1	Zurück Brett Back board	400079
		⑤	285	26	Seiten Brett Side board	400039
		⑥	390	18	Front Brett Front board	400253
		⑦	4080	8	Front Brett Front board	400252
		⑧	5980	17+1	Zurück Brett Back board	400067
		⑨	4500	2	Seiten Brett Side board	400080
		⑩	5000	2	Seiten Brett Side board	400081
		⑪	5500	2	Seiten Brett Side board	400082
		⑫a	6180	1	Seiten Brett Side board	401018
		⑫b	6180	1		401019
		⑬	660 x5980	2	Wandpaneel Wall panel	402013
		⑭	6180	5	Sparren Rafter	404026
		⑯	660 x5980	1	Wandpaneel Wall panel	402014
		⑰	1960	2	Pfosten, Post	287103
		⑱	3150	140+2 (112+2)	Dach Bretter Roof board	284510
19x48		⑲	2100	4	Wind Brett Wind board	286801

Alle maßen ca +/- 3% size tolerance +/- 3%

Dim.	Skizze, sketch	Pos.	Länge, Length, mm	Qte.	Name	Ref.
		19a	3130	4	Leiste, Latte	286055
		19b	3130	4	Leiste, Latte	286056
		20	3180	4	Wind Brett Wind board	285015
		21	3180	4	Wind Brett Wind board	286511
		22	200	2	Dekor, Decor	286990

OPTIONS

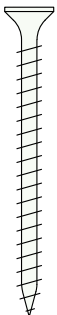
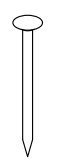
		A	1910	4	Fundamentbalken Foundation beam	283073
		B	2840	16		283074
		D	400	10		283084
		C	3730	65+1 (52+1)	Boden Bretter Floor board	283531
		23	1870	4	Bodenleiste Baseboard	283277
		24	2860	3	Bodenleiste Baseboard	283255
		25	1060	1	Bodenleiste Baseboard	283275
		26	110	1	Bodenleiste Baseboard	283276
		24		7	Rubberoid Black bitumen	285519
		24		16	Shingle	285520

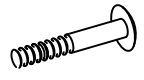


	TR1	1963	1	Türrahmen links Door frame left	409224
	TR2	1963	1	Türrahmen rechts Door frame right	409225
	TR3	1700	1	Über Türrahmen Door frame top	409226
	TR4	1500	1	Türstufe Door frame bottom	409227
	T1	1850x 765	1	Tür Doors	289006
	T2	1850x 765	1		289006
	F1	1576x 1076	2	Fenster Window	409102

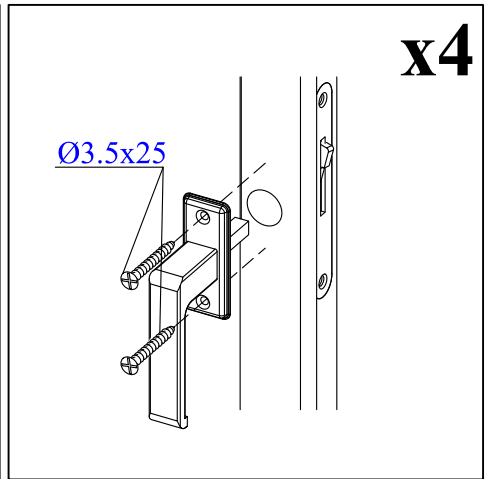
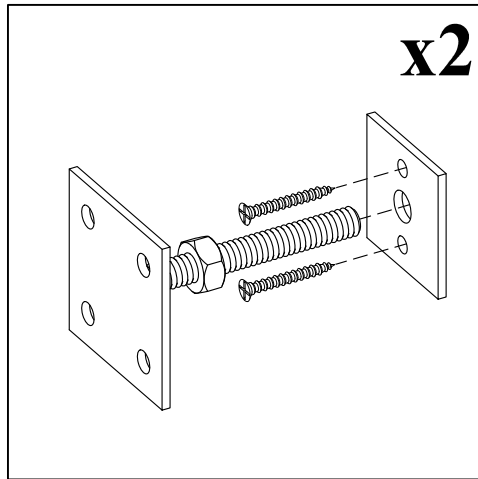
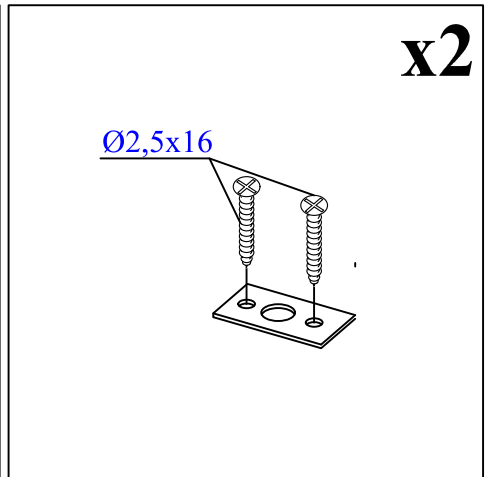
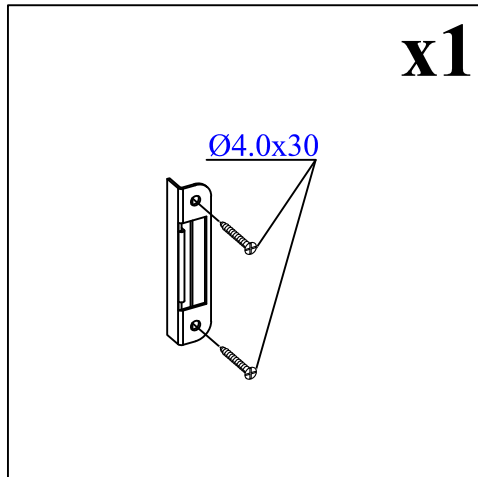
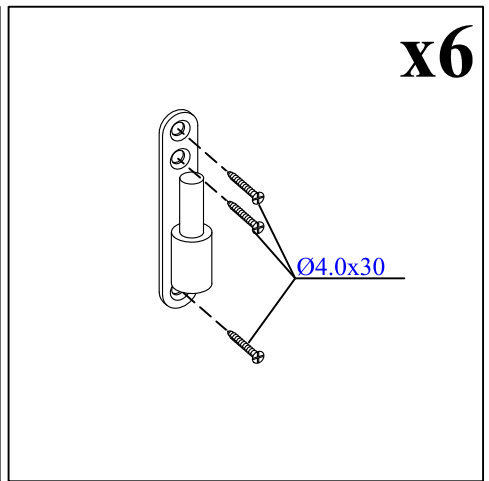
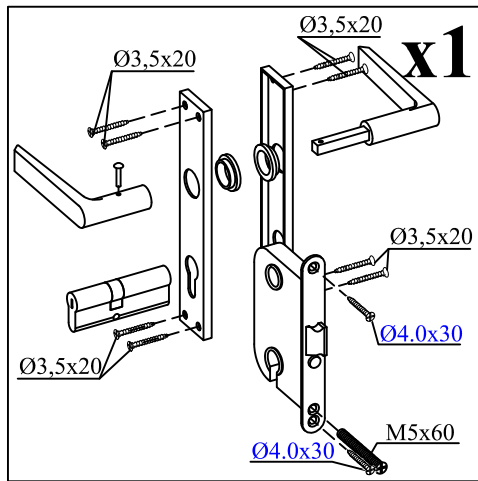
→||←40mm

5,98 x 4,00+2,1

40011

	Pos.	Dim	Qte.
		Ø5.0 x 100	60
		Ø3.5 x 40	120
		Ø5.0 x 120	12
		Ø4.0 x 60	6
		Ø2.0 x 40	560
		Ø2.0 x 50	520

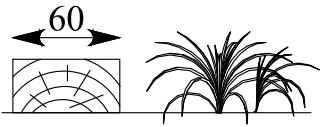
	M6 x 80	4
		8
	M6	4



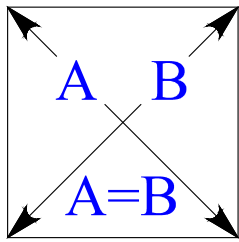
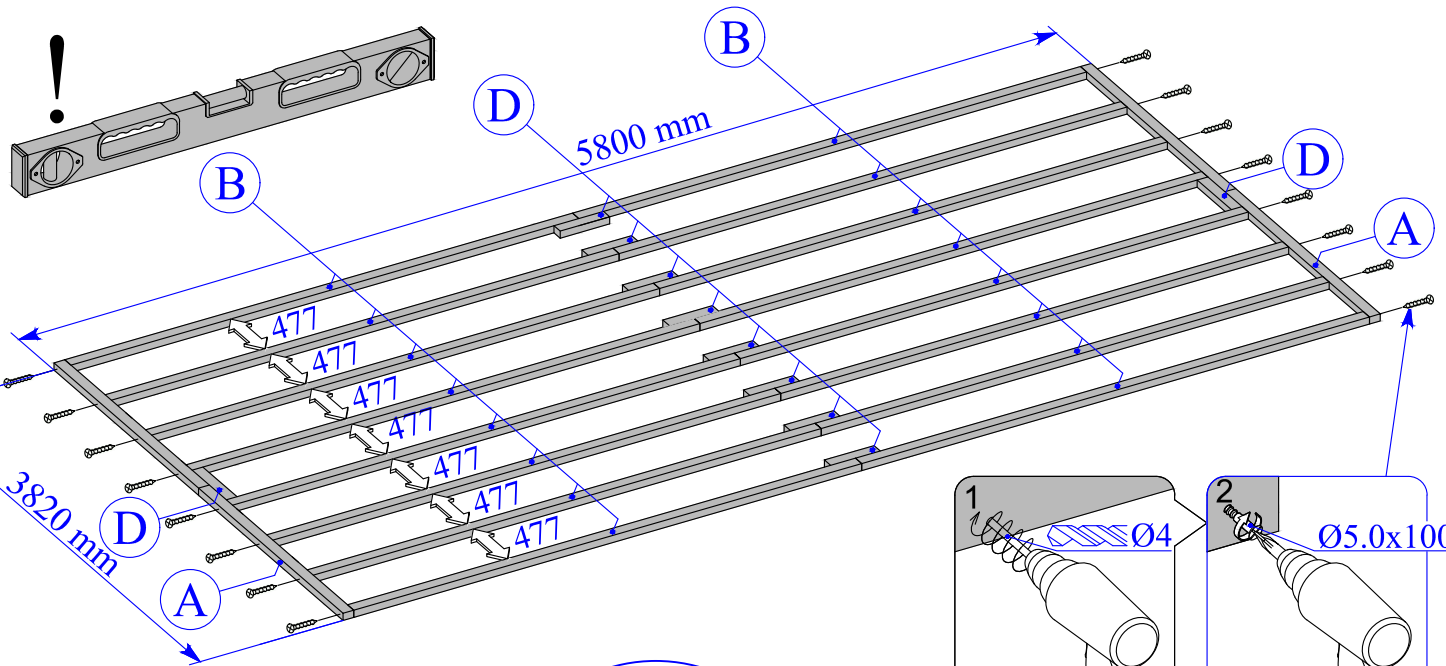
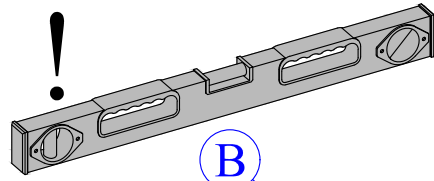
→||←40mm

5,98 x 4,00+2,1

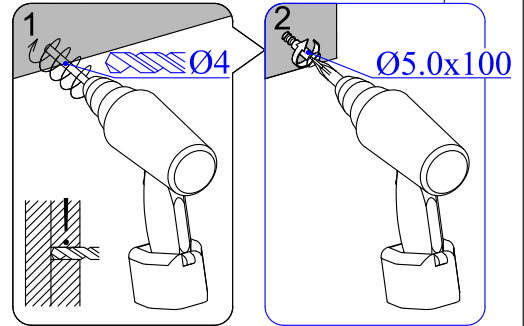
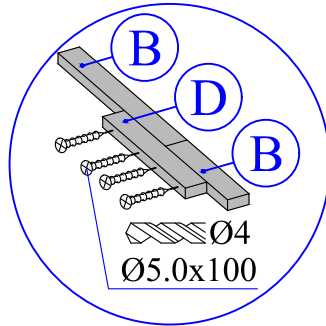
40011



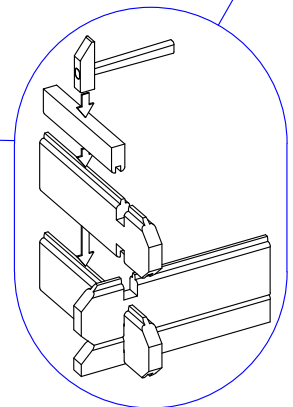
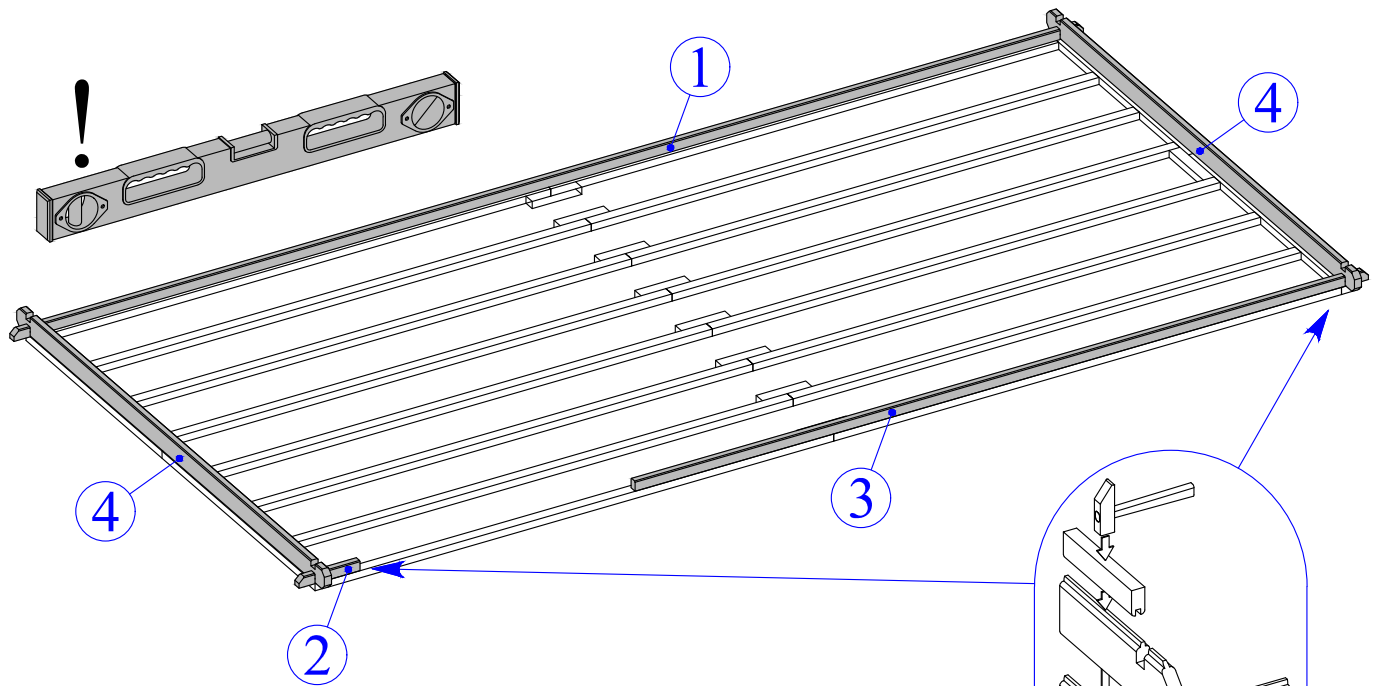
1



A=B=6945 mm



2

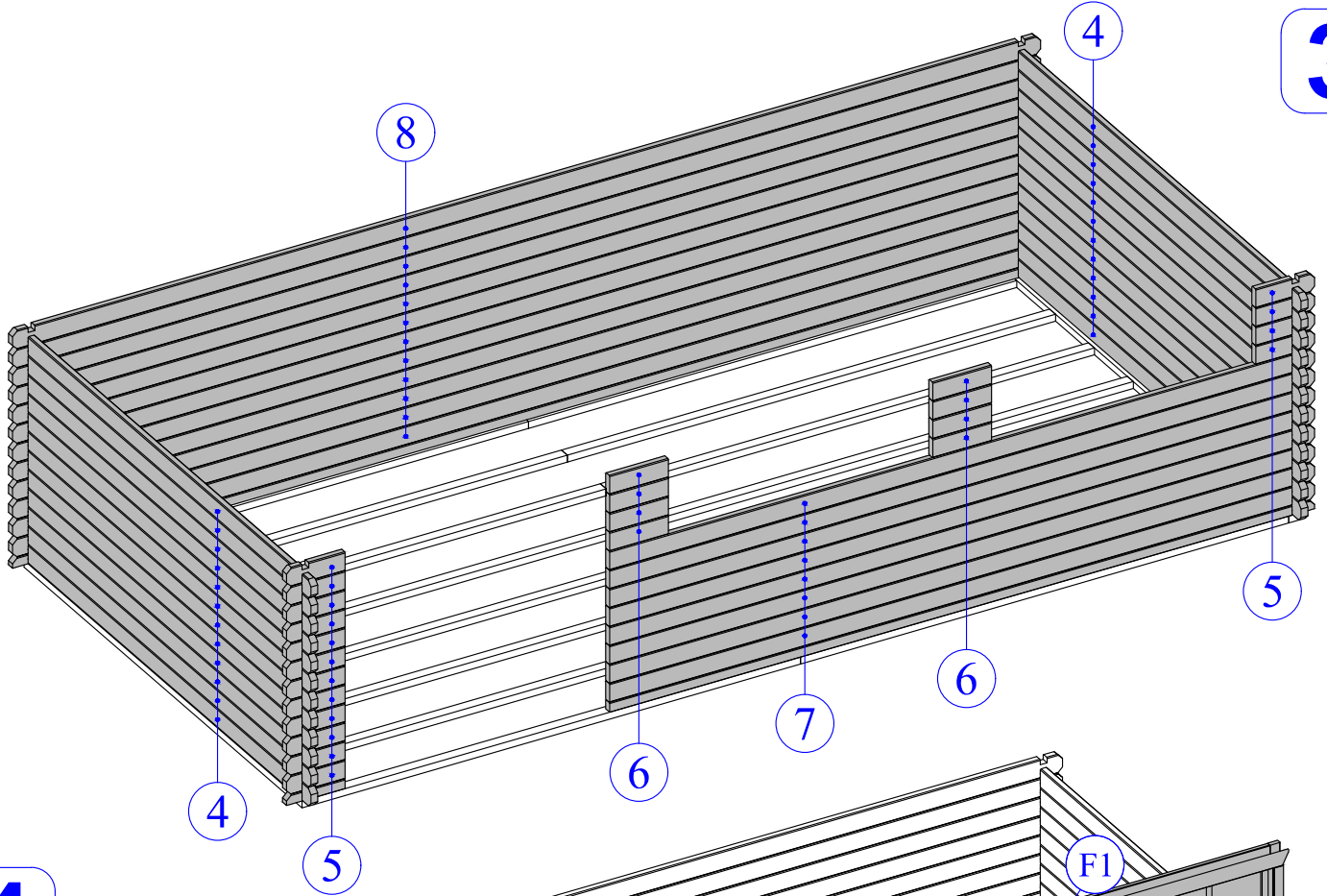


→||←40mm

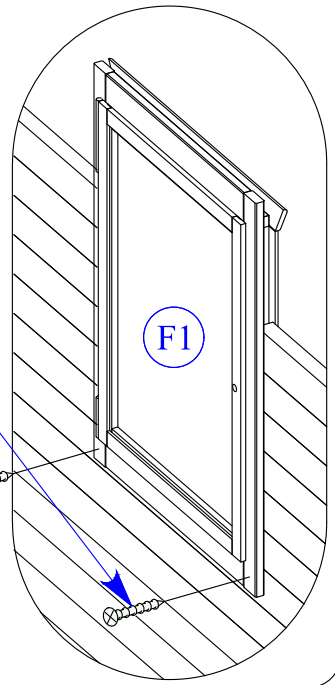
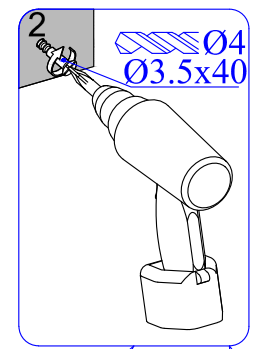
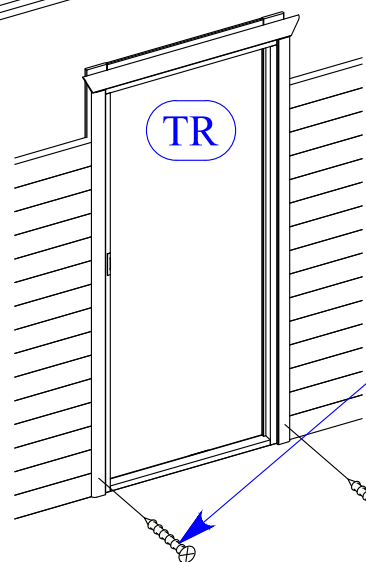
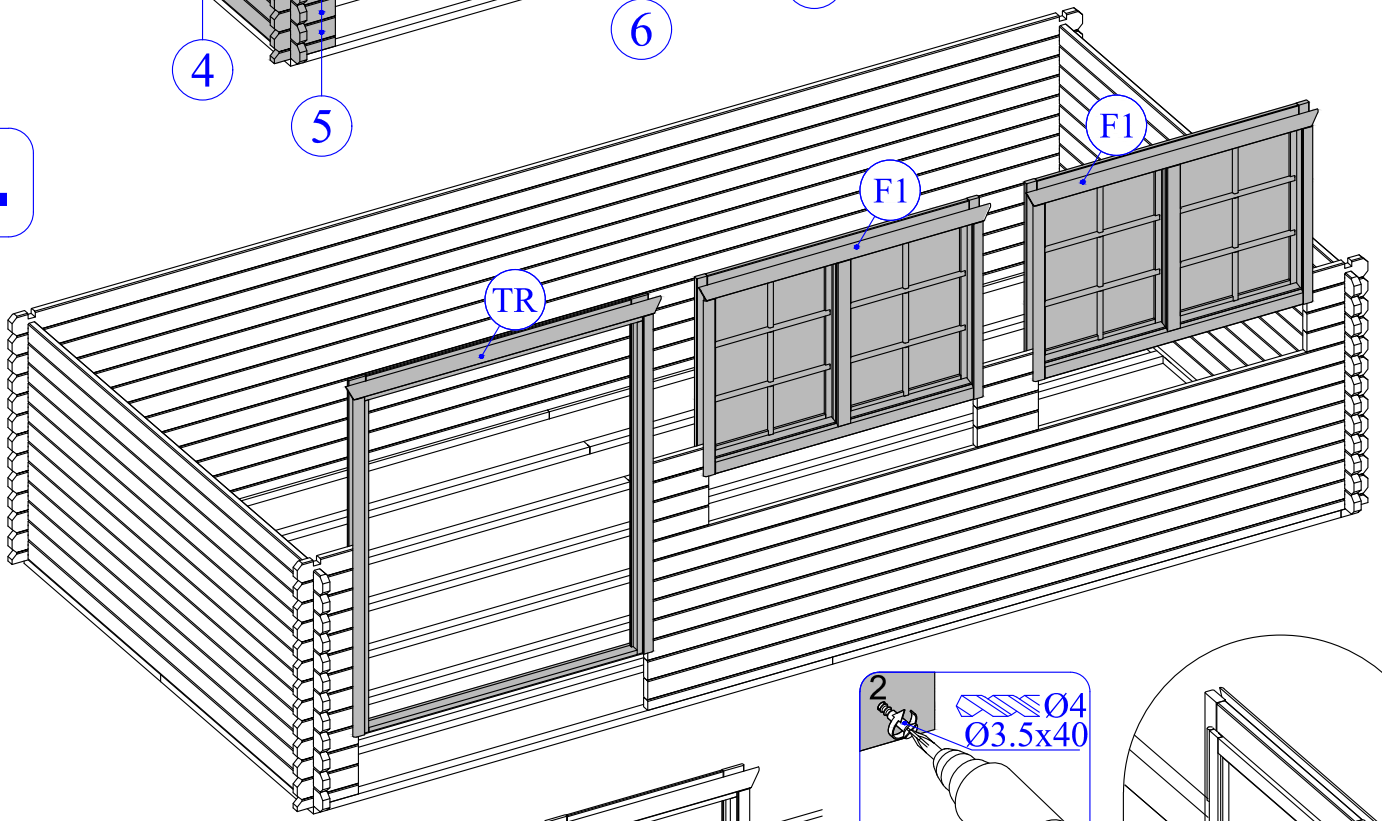
5,98 x 4,00+2,1

40011

3



4

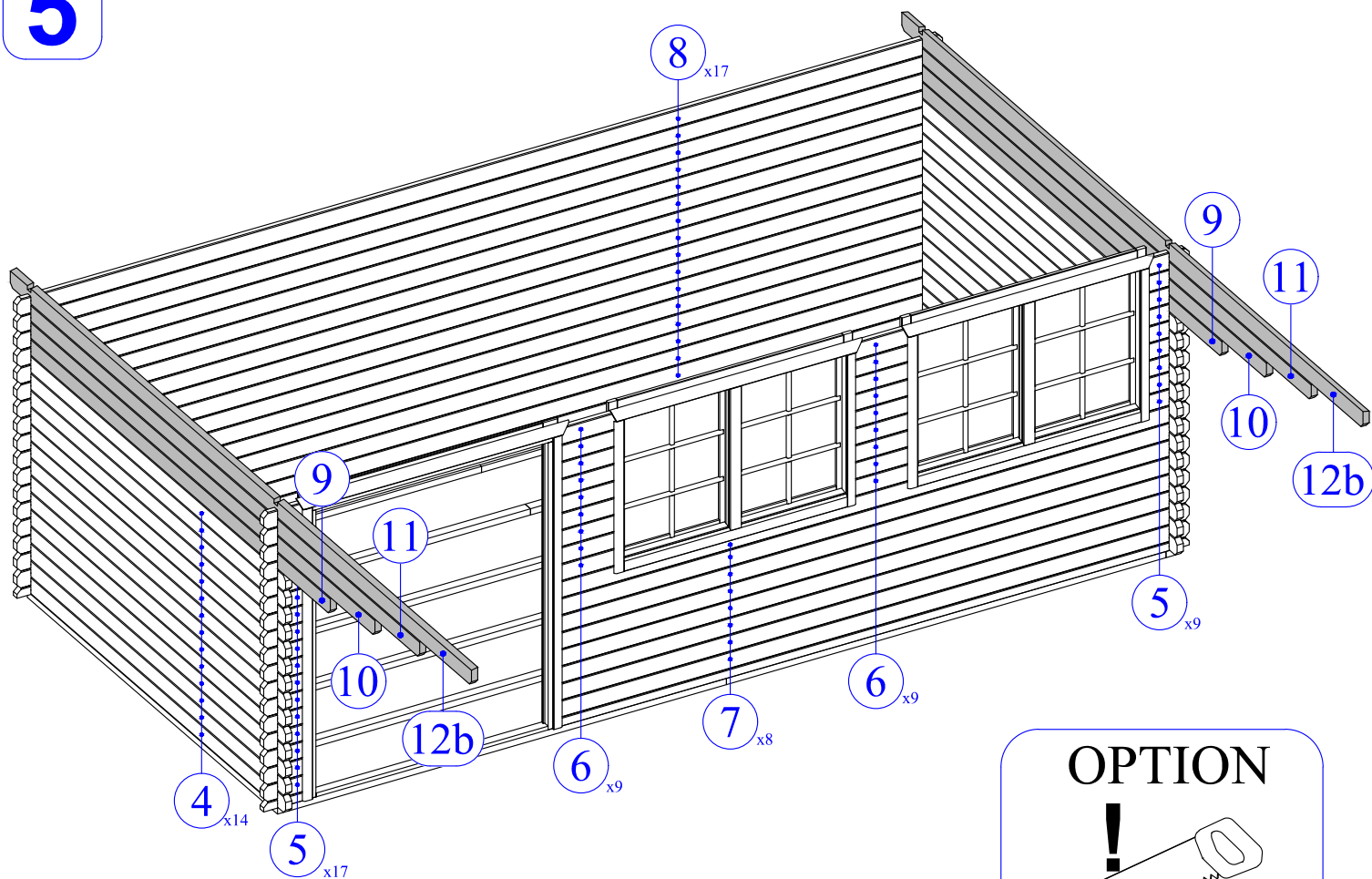


→||←40mm

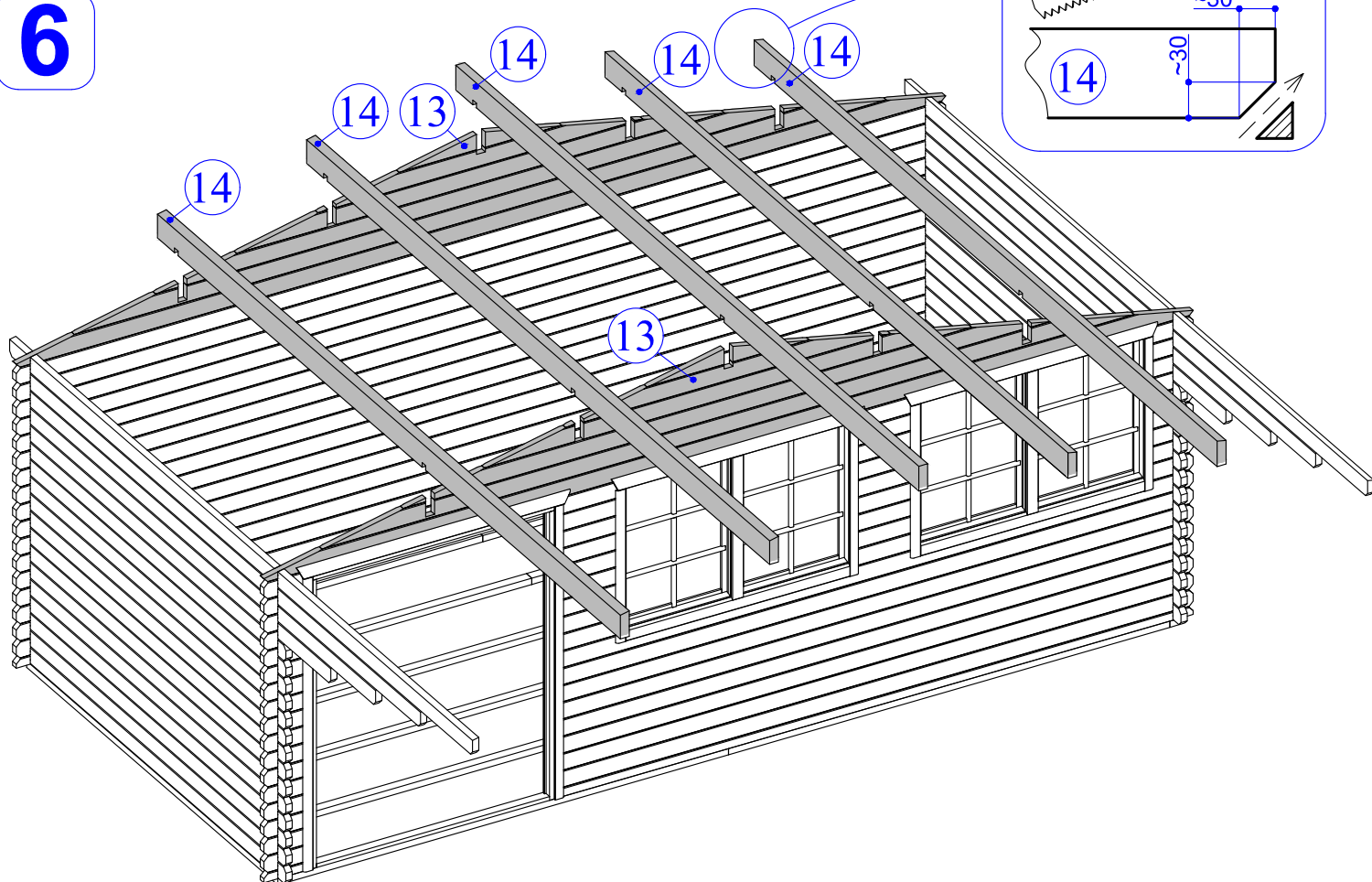
5,98 x 4,00+2,1

40011

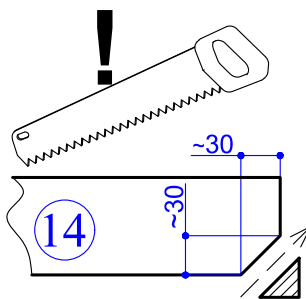
5



6



OPTION

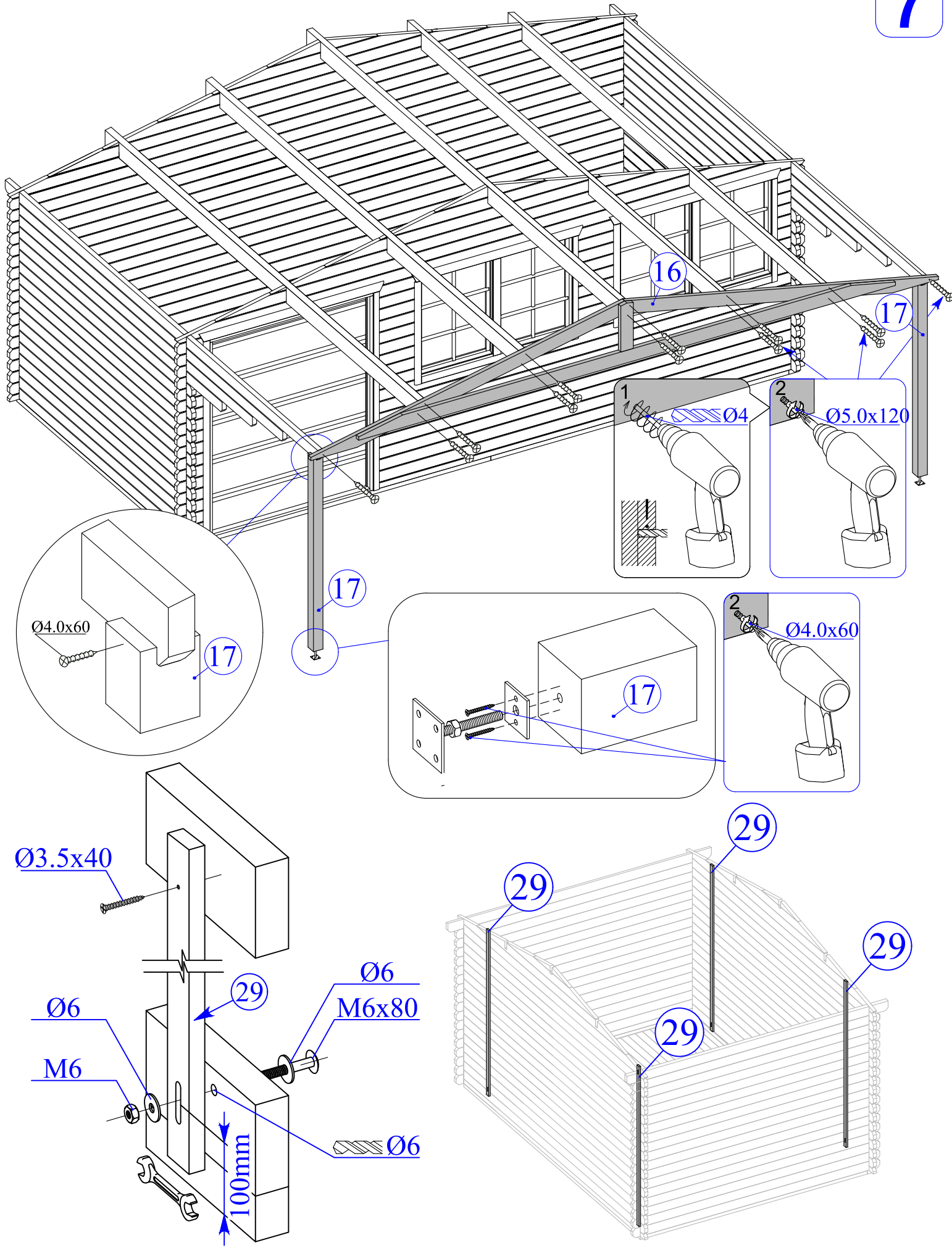


→||←40mm

5,98 x 4,00+2,1

40011

7

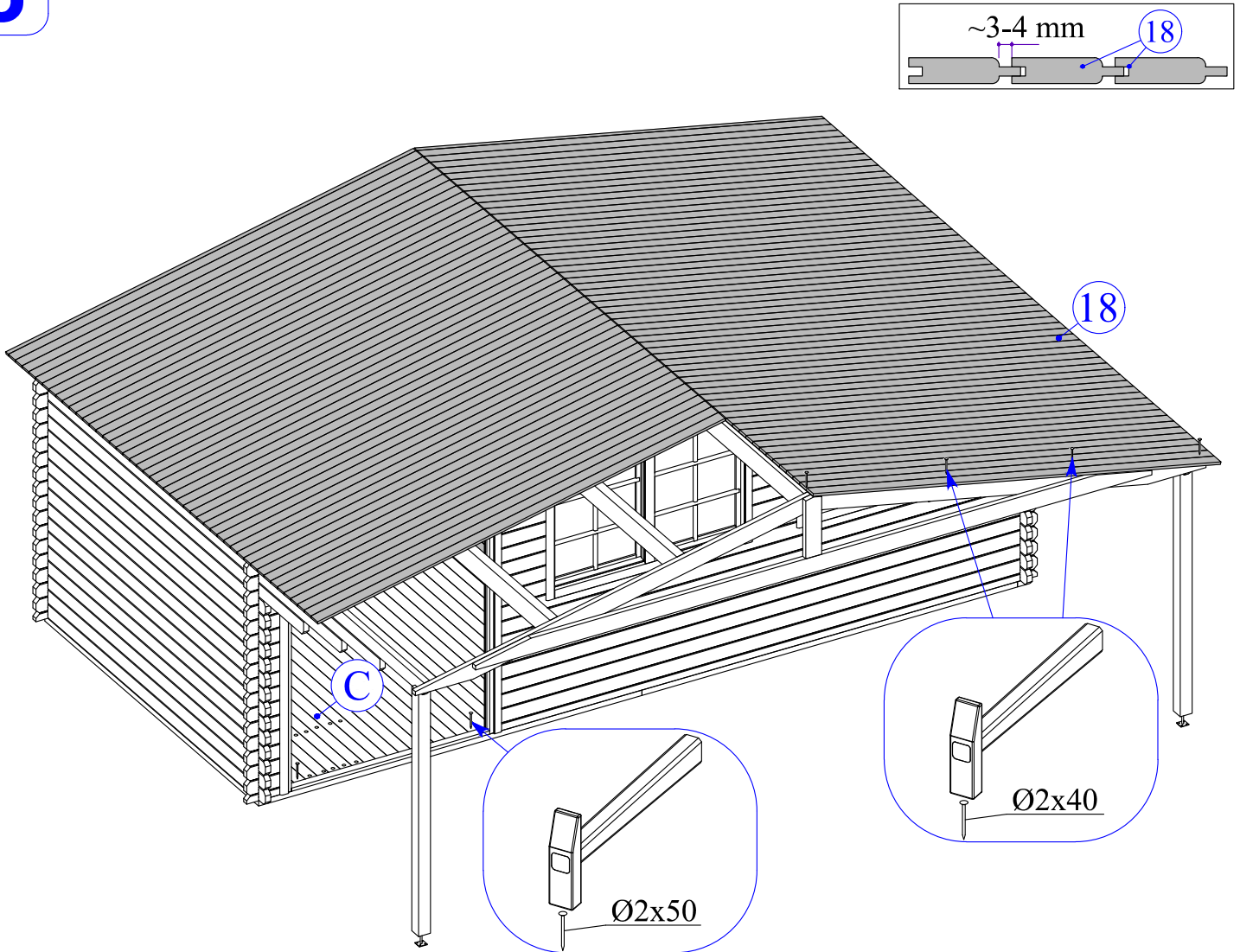


→||←40mm

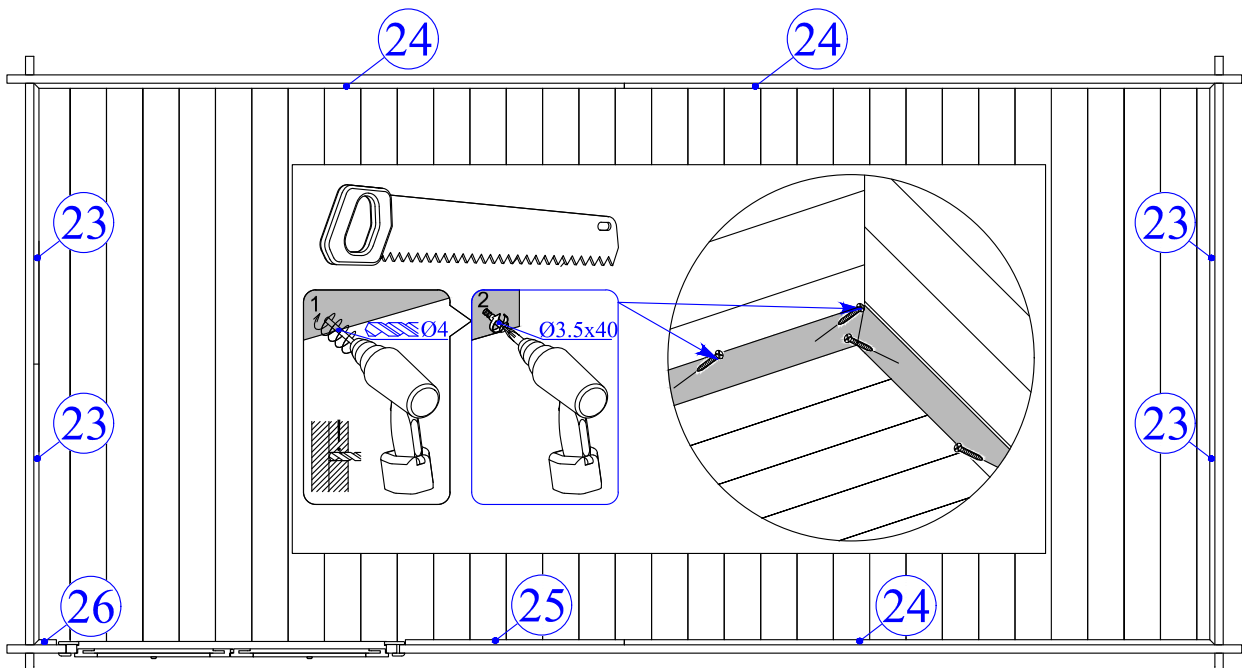
5,98 x 4,00+2,1

40011

8



OPTION

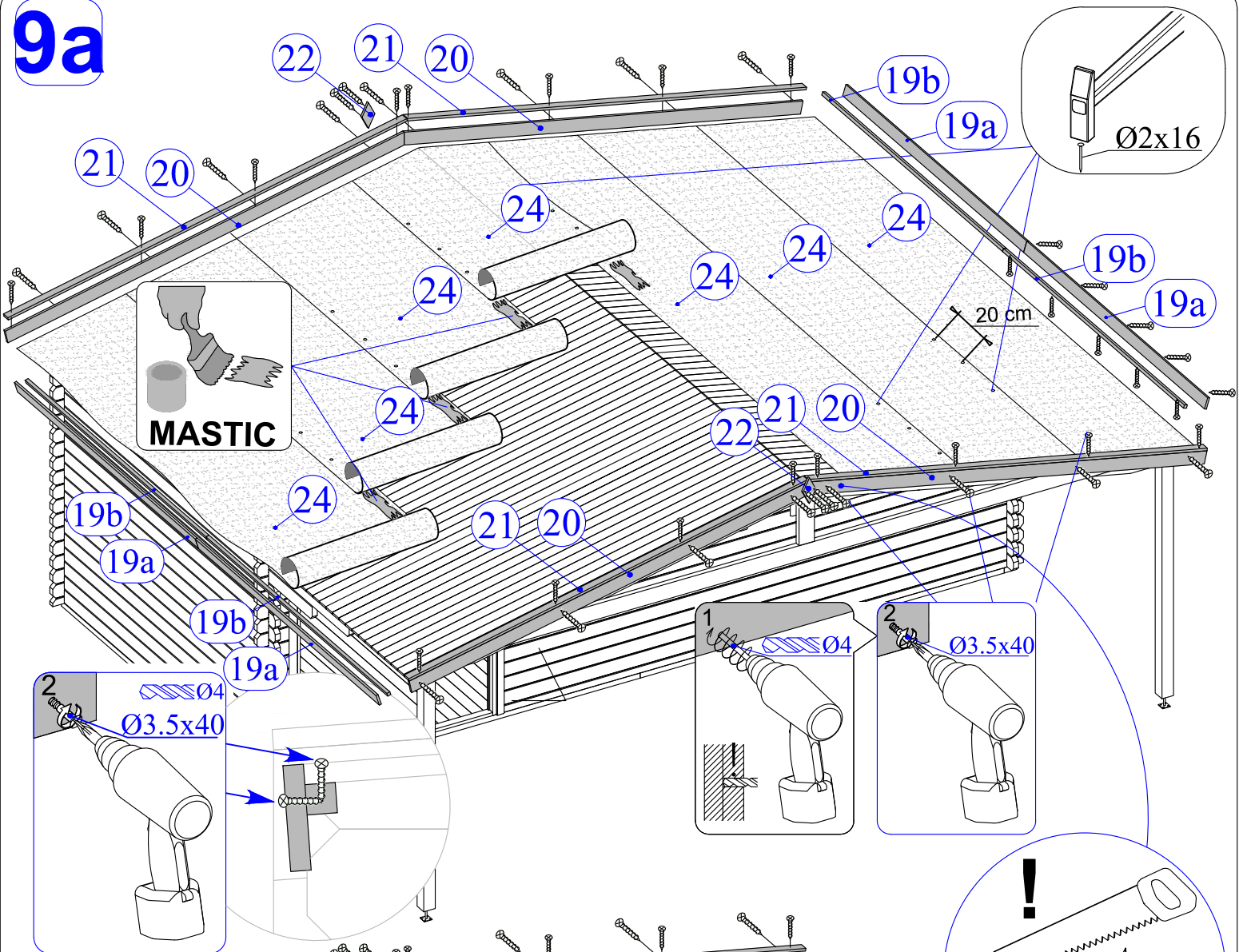


→||←40mm

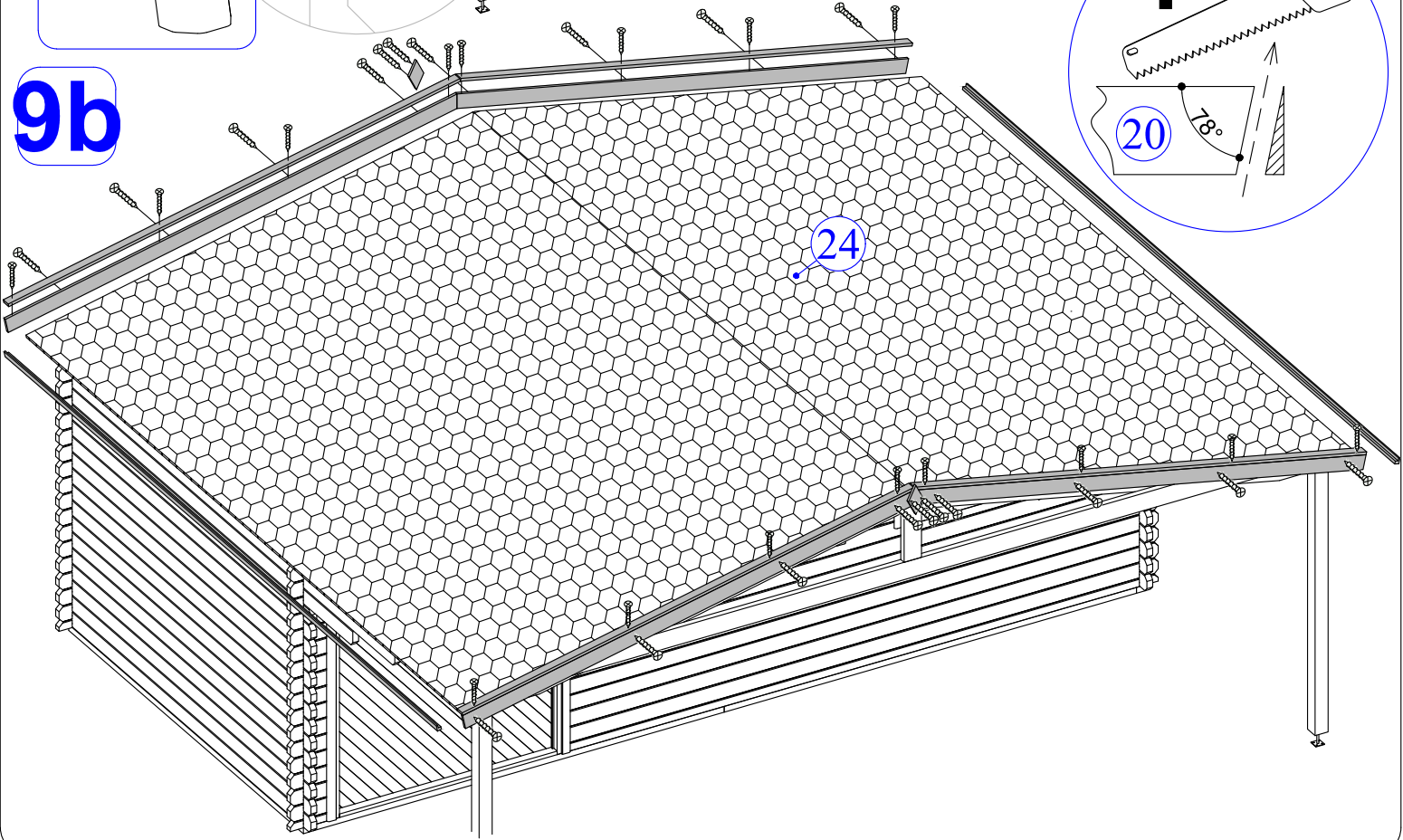
5,98 x 4,00+2,1

40011

9a



9b



→ || ← 40mm

5,98 x 4,00+2,1

40011

