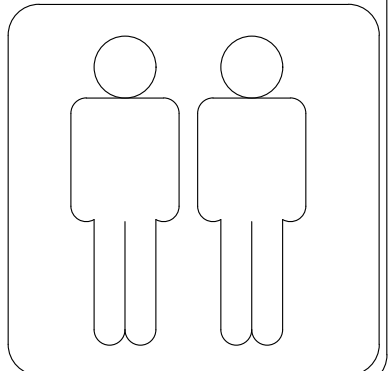
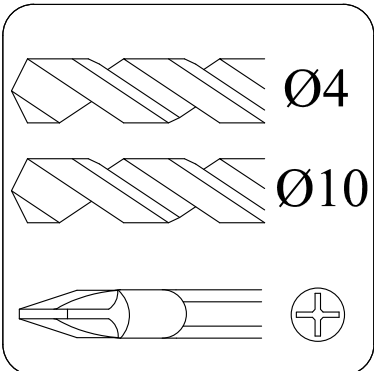
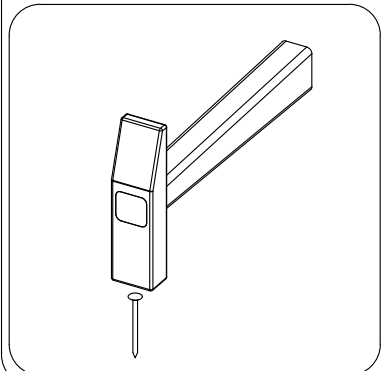
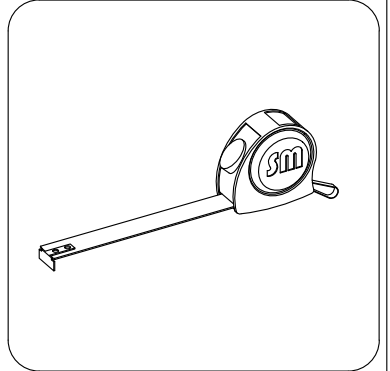
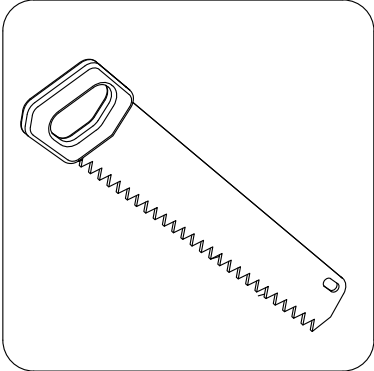
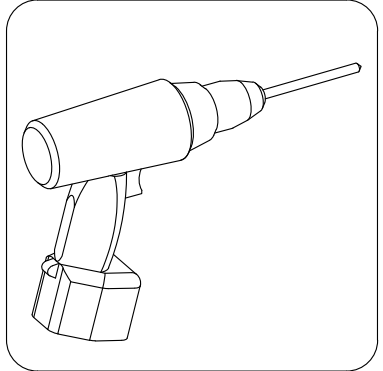
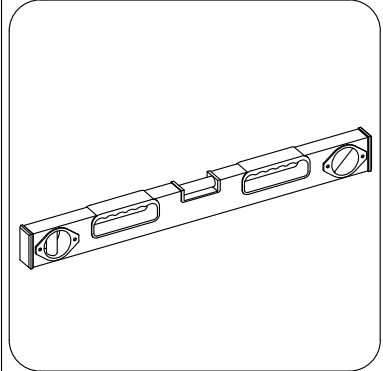
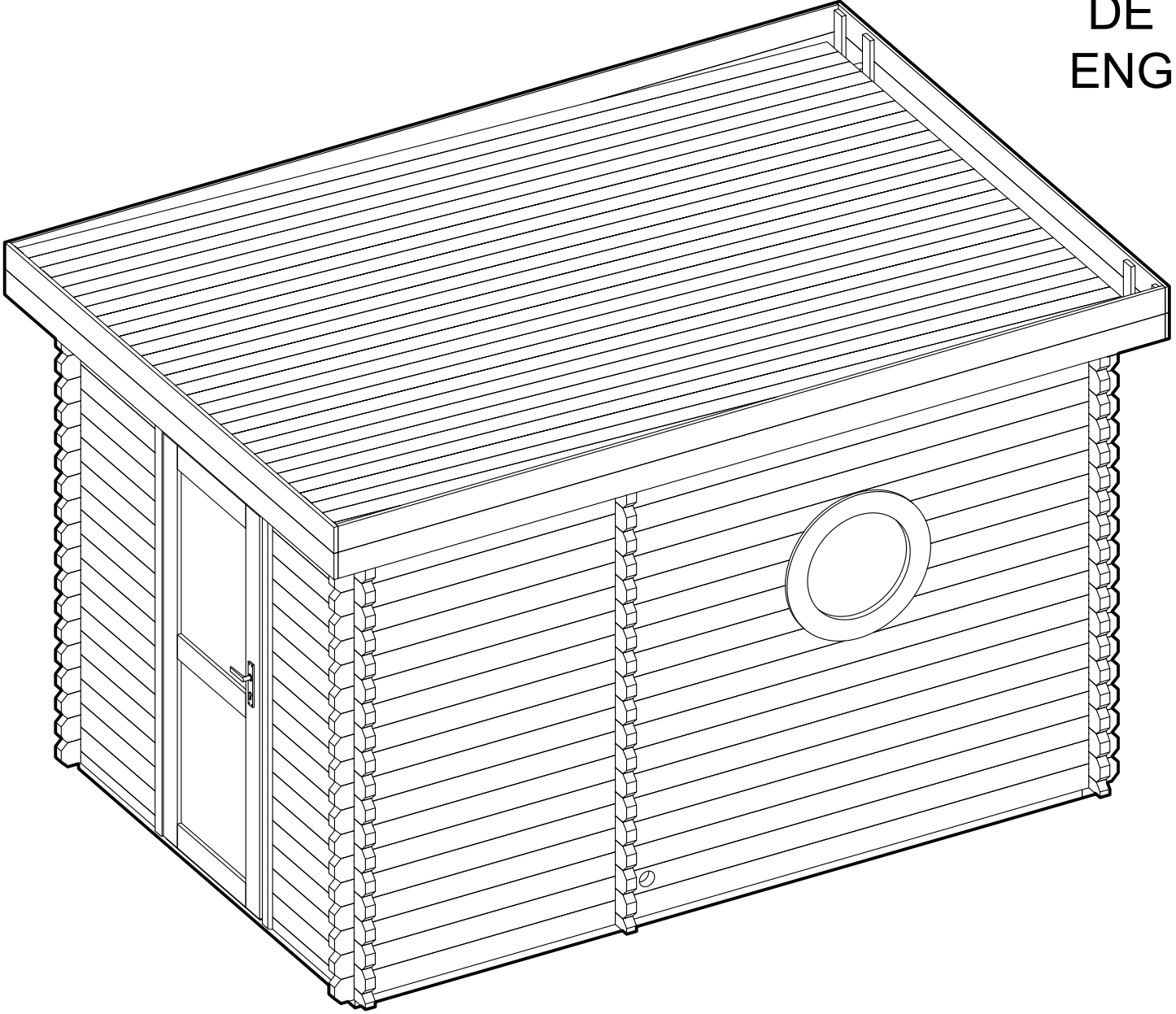
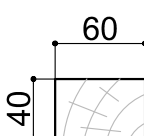


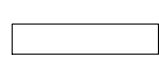
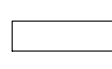
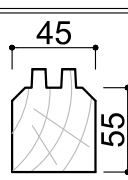
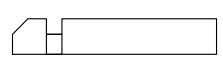
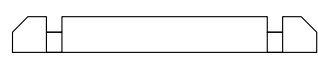
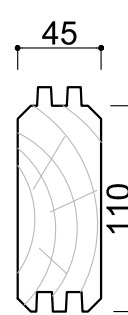
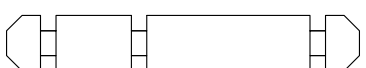
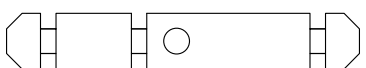

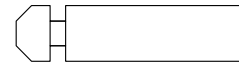
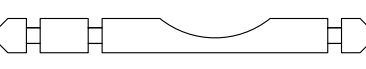
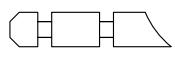
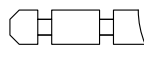
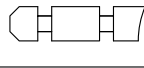
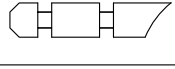
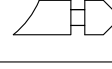




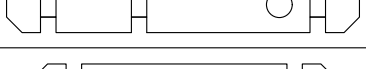

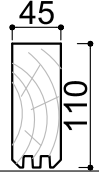

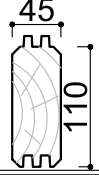
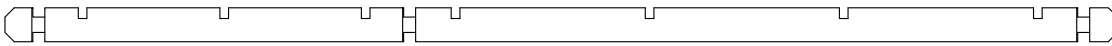
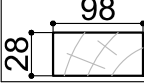

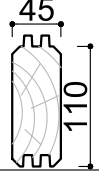
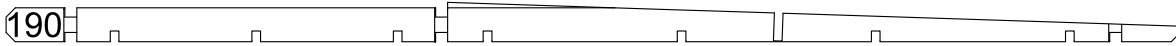
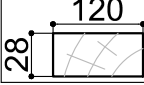

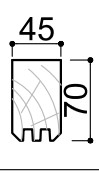
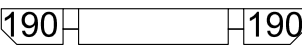
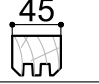

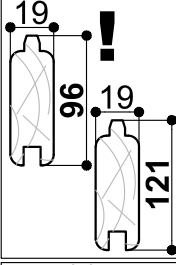
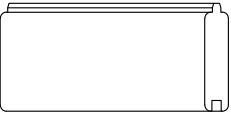
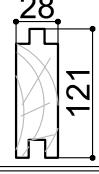

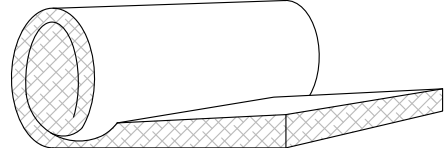
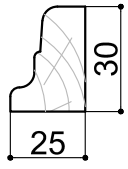
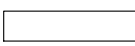


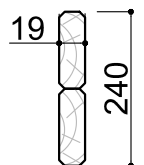
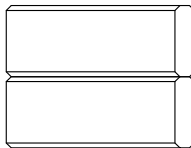


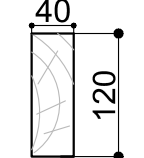
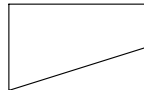
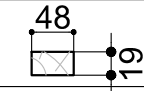

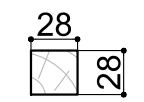
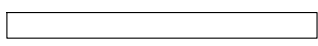
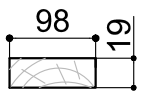

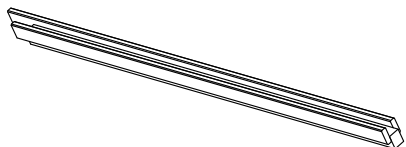
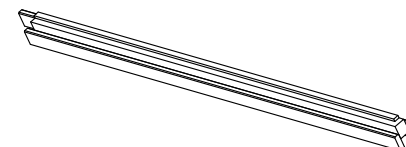
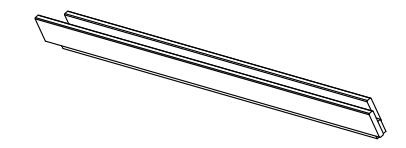
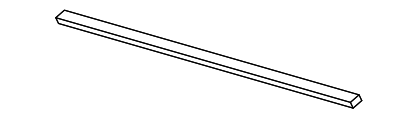
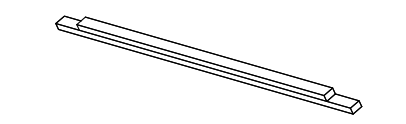
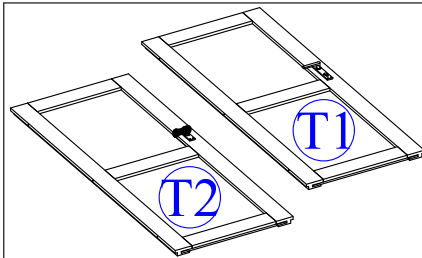
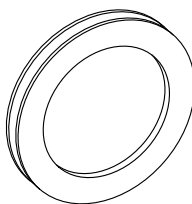
DE  
ENG


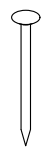


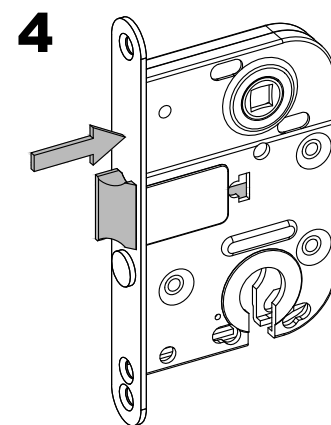
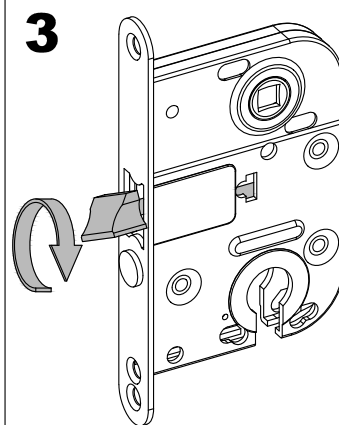
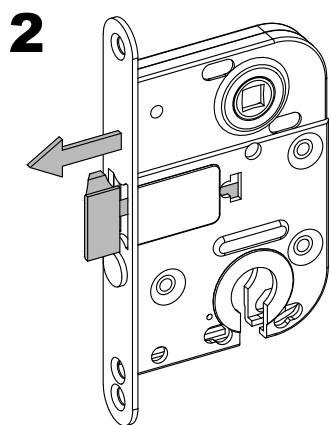
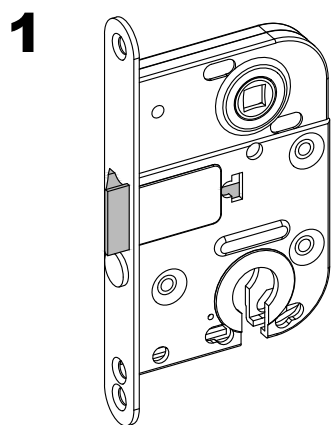
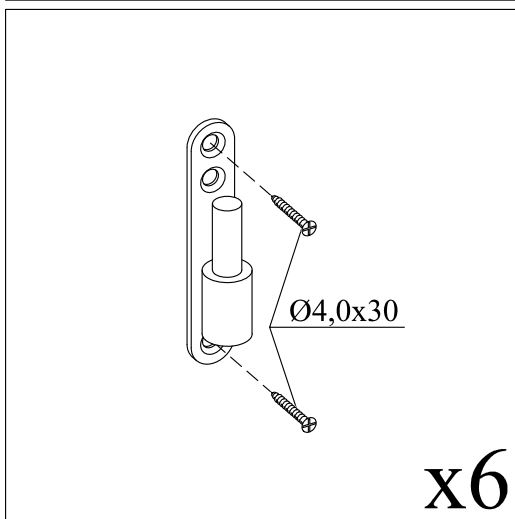
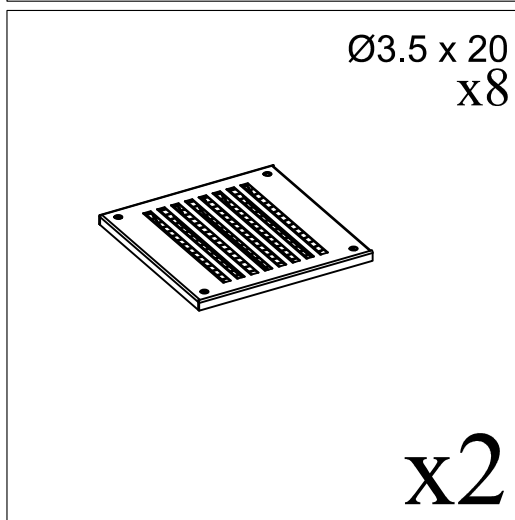
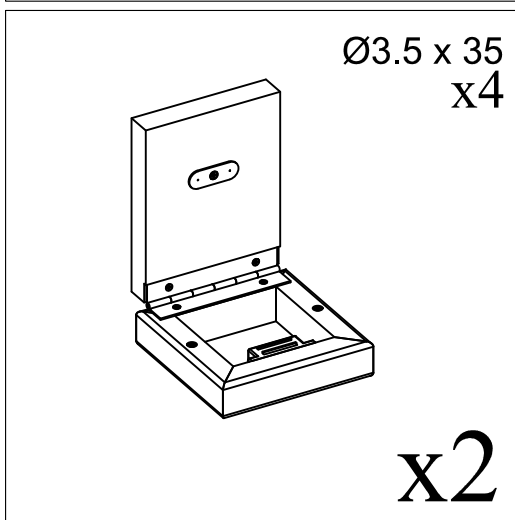
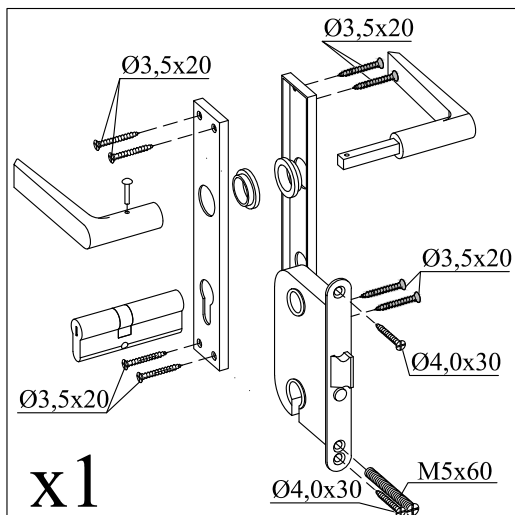
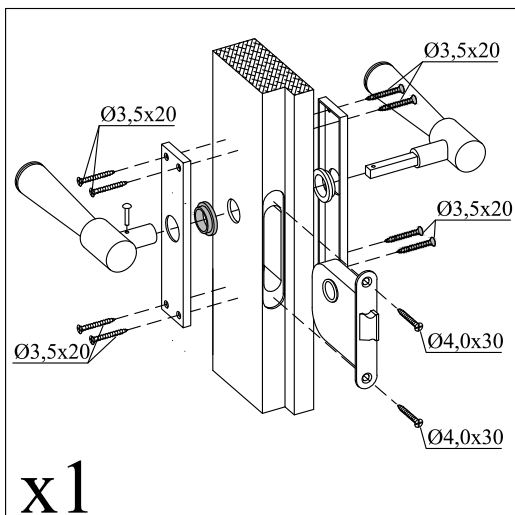
| Dim.  | Skizze/Sketch   | Pos. | Länge/length<br>(mm) | Stck.<br>/Total             | Name                               | Ref.   |
|---|---|------|----------------------|-----------------------------|------------------------------------|--------|
|     |    | ①    | 2090                 | 8                           | Fundamentbalken<br>Foundation beam | 283062 |
|   |    | ③    | 1900                 | 2                           |                                    | 283112 |
|   |    | ④    | 1500                 | 2                           |                                    | 283037 |
|   |    | ⑤    | 400                  | 2                           |                                    | 283084 |
|   |   |      |                      |                             |                                    |        |
|     |    | ⑥    | 772                  | 4                           | Zurück Brett<br>Back board         | 450001 |
|   |    | ⑦    | 2400                 | 1                           | Front Brett<br>Front board         | 450004 |
|   |    | ⑧    | 3600                 | 28+1                        | Seiten Brett<br>Side board         | 450013 |
|   |    | ⑨    | 3600                 | 1                           | Seiten Brett<br>Side board         | 450040 |
|   |  | ⑩    | 2400                 | 21+1                        | Zurück Brett<br>Back board         | 450003 |
|   |  | ⑪    | 772                  | 68                          | Front Brett<br>Front board         | 450002 |
|   |  | ⑫    | 3600                 | 1                           | Seiten Brett<br>Side board         | 450015 |
|   |  | ⑬    | 2270                 | 1                           | Seiten Brett<br>Side board         | 450016 |
|   |  | ⑭    | 2120                 | 1                           | Seiten Brett<br>Side board         | 450017 |
|   |  | ⑮    | 2120                 | 1                           | Seiten Brett<br>Side board         | 450018 |
|   |  | ⑯    | 2270                 | 1                           | Seiten Brett<br>Side board         | 450019 |
|   |  | ⑰    | 1070                 | 1                           | Seiten Brett<br>Side board         | 450006 |
|   |  | ⑱    | 920                  | 1                           | Seiten Brett<br>Side board         | 450007 |
|   |  | ⑲    | 920                  | 1                           | Seiten Brett<br>Side board         | 450008 |
|   |  | ⑳    | 1070                 | 1                           | Seiten Brett<br>Side board         | 450009 |
|   |  | ㉑    | 3600                 | 1                           | Seiten Brett<br>Side board         | 450020 |
|   |  | ㉒    | 3600                 | 1                           | Seiten Brett<br>Side board         | 450041 |
|  | ㉓   | 2400 | 1                    | Mitte Brett<br>Middle board | 450012                             |        |

Alle maßen ca +/-3% / les dimensions des pièces peuvent évoluer +/- 3% / size tolerance +/- 3%

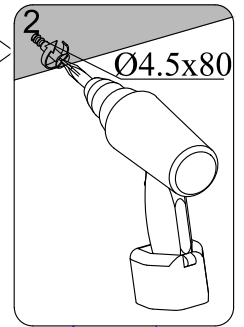
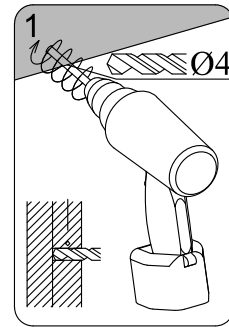
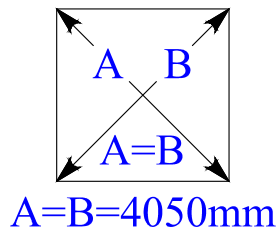
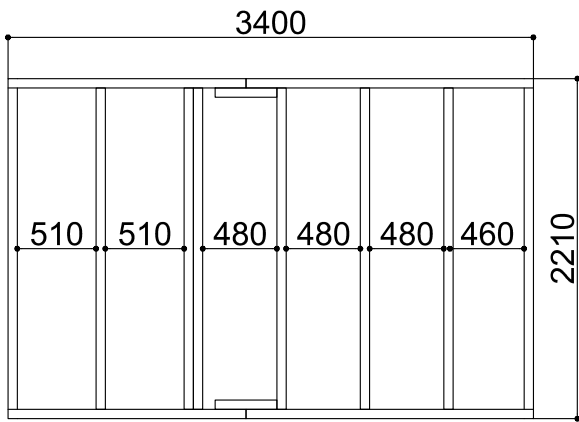
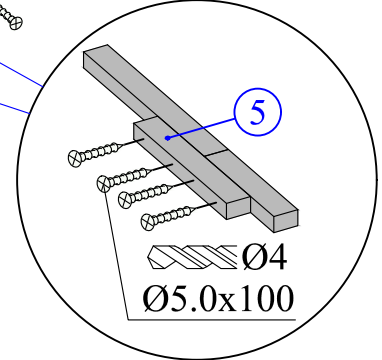
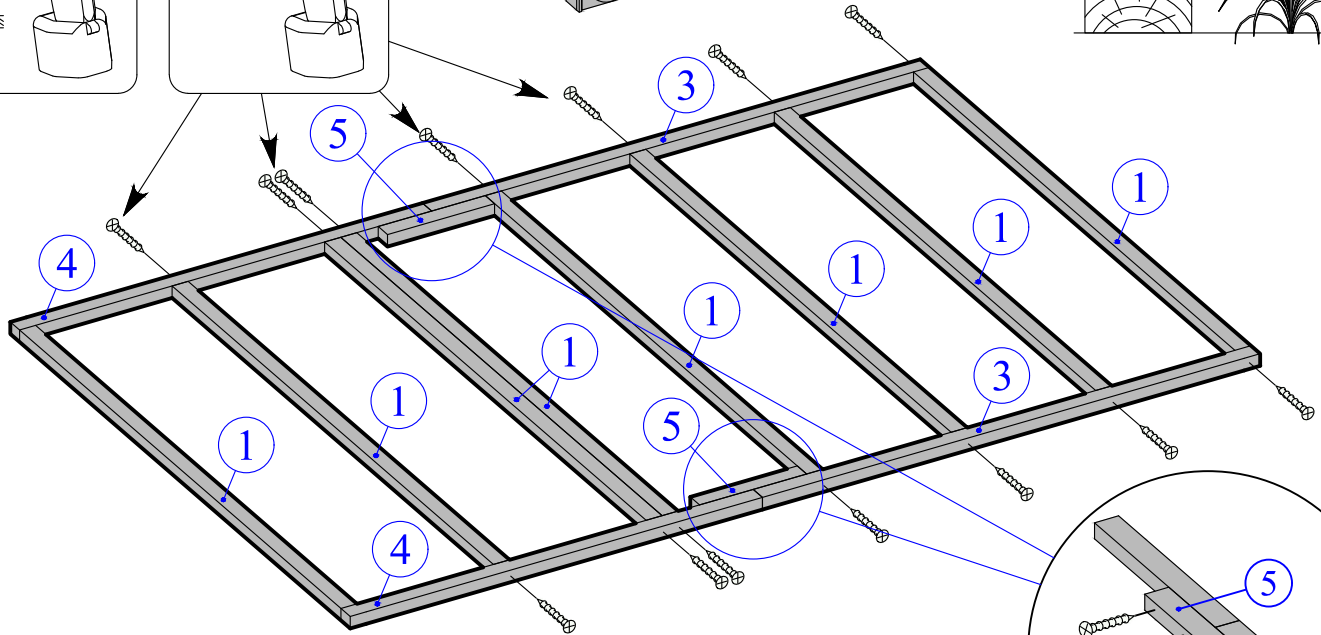
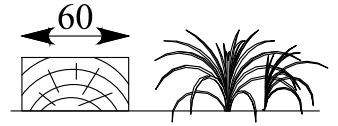
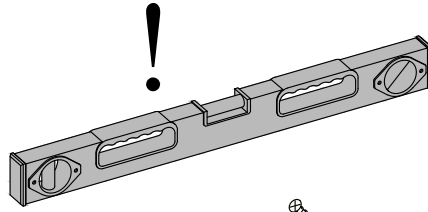
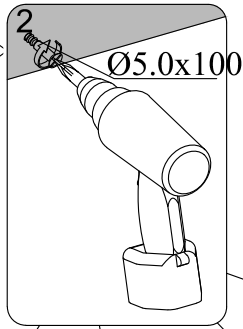
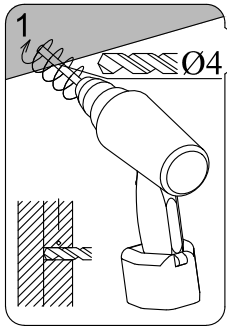
|   |   |    |      |         |  |        |
|---|---|----|------|---------|--|--------|
|    |    | 24 | 2600 | 2       | Front / Zurück Brett<br>Back, side board | 451001 |
|    |   | 25 | 3600 | 2       | Seiten Brett<br>Side board               | 450014 |
|     |    | 26 | 2400 | 7       | Sparren<br>Rafter                        | 454004 |
|    |   | 27 | 3800 | 2       | Seiten Brett<br>Side board               | 452003 |
|     |    | 28 | 2600 | 1       | Sparren<br>Rafter                        | 284066 |
|   |    | 29 | 2600 | 1       | Mitte Brett<br>Middle board              | 451002 |
|  |  | 30 | 1390 | 2       | Seiten Brett<br>Side board               | 452004 |
|   |  | 31 | 1160 | 25 / 20 | Dachholzer<br>Roof board                 | 284516 |
|   |   | 32 | 2120 | 25 / 20 | Dachholzer<br>Roof board                 | 284514 |
|   |   | 33 | 3750 | 29 / 23 | Dachholzer<br>Roof board                 | 284515 |
|  |  | 34 | 1160 | 20      | Bodenholzer<br>Floor board               | 283518 |
|   |   | 35 | 2120 | 20      | Bodenholzer<br>Floor board               | 283517 |
|  |   | 36 |      |         | Mineralwolle<br>Mineral wool             |        |
|   |  | 37 | 614  | 6       | Fussbodenleisten<br>Baseboard            | 283242 |
|   |  | 38 | 1165 | 4       | Fussbodenleisten<br>Baseboard            | 283243 |
|   |  | 39 | 2135 | 9       | Fussbodenleisten<br>Baseboard            | 283241 |
|   |  | 40 | 3800 | 2       | Wind Brett<br>Wind board                 | 285030 |
|   |   | 41 | 2620 | 2       | Wind Brett<br>Wind board                 | 285031 |

|   |   |              |      |   |                                      |        |
|---|---|--------------|------|---|--------------------------------------|--------|
|    |  | 42           | 190  | 1 | Zurück Brett<br>Roof detail          | 404061 |
|    |  | 43           | 250  | 1 | Leiste,<br>Latte                     | 287132 |
|    |  | 44           | 2135 | 1 | Wind Brett<br>Wind board             | 286088 |
|    |  | 45           | 2135 | 1 | Wind Brett<br>Wind board             | 286087 |
|    | TR1a  | 1973         | 1    | 1 | Türrahmen links<br>Door frame left   | 459201 |
|   | TR1b  |              |      |   |                                      | 1      |
|   | TR2   | 1973         | 2    | 2 | Türrahmen rechts<br>Door frame right | 459202 |
|  | TR3   | 945          | 2    | 2 | Über Türrahmen<br>Door frame top     | 459203 |
|  | TR4   | 745          | 1    | 1 | Türstufe<br>Door frame bottom        | 459204 |
|  | TR5   | 845          | 1    | 1 | Türstufe<br>Door frame bottom        | 459206 |
|   | T1  | 1850x<br>765 | 1    | 1 | Tür<br>Porte<br>Doors                | 289016 |
|   | T2  | 1850x<br>765 | 1    |   |                                      | 289017 |
|  | F   | 550x<br>550  | 1    | 1 | Fenster<br>Window                    | 459101 |

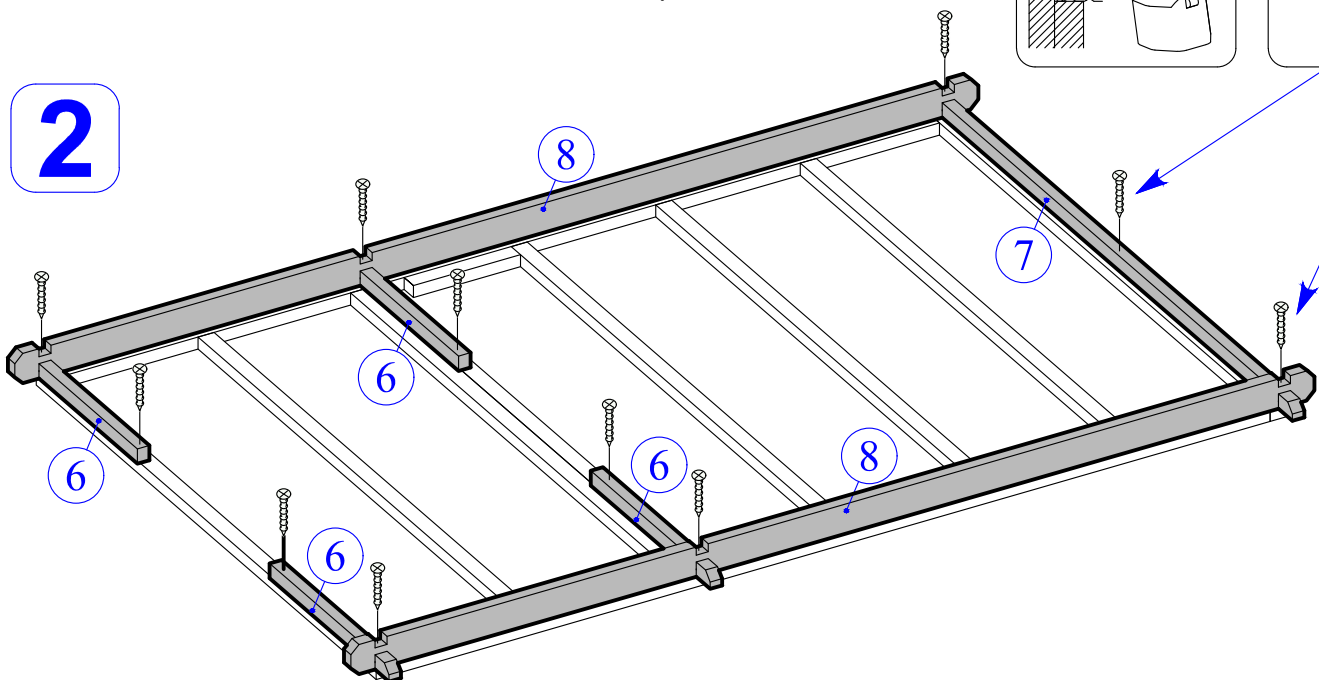
|  | Dim        | Stck. |
|--|------------|-------|
|  | Ø5.0 x 100 | 32    |
|  | Ø4.5 x 80  | 11    |
|  | Ø3.5 x 35  | 66    |
|  | Ø2.0 x 40  | 380   |
|  | Ø2.0 x 50  | 160   |

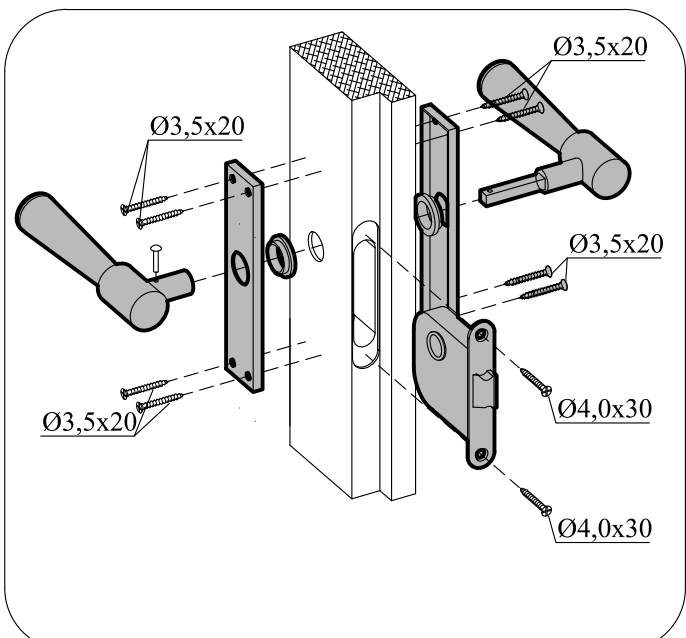
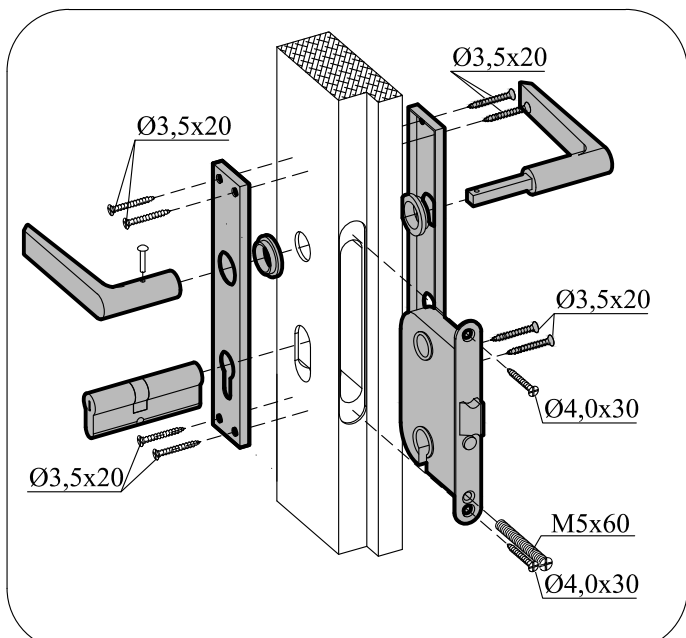
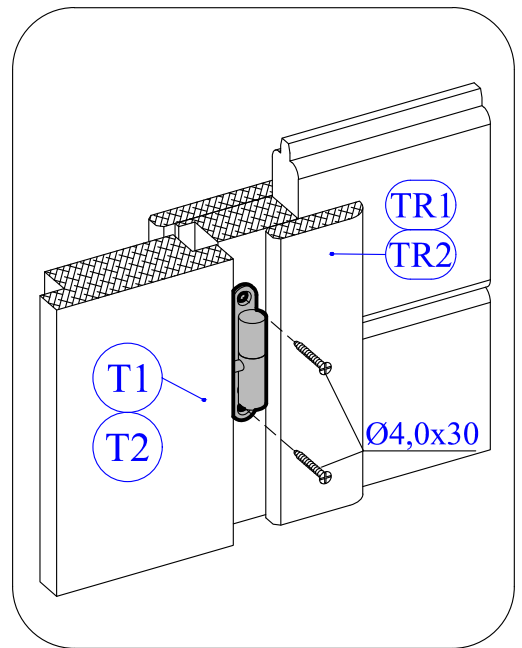
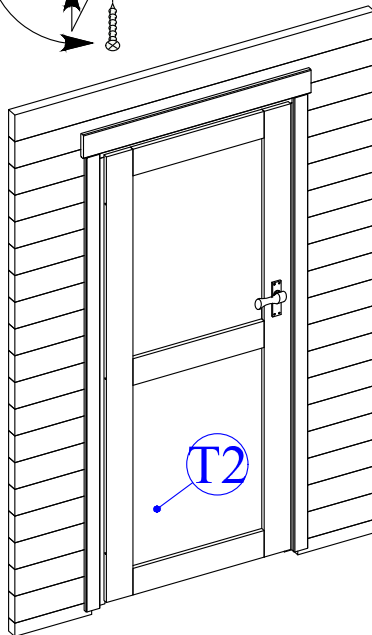
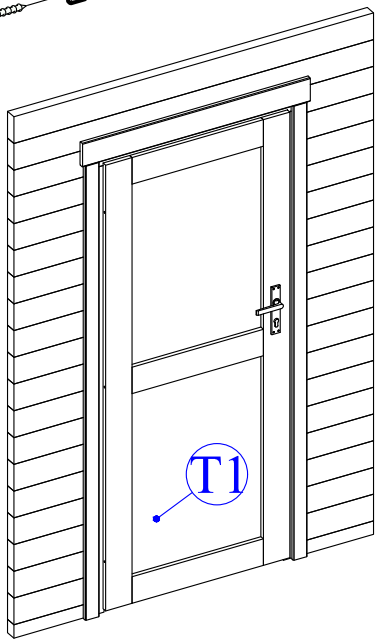
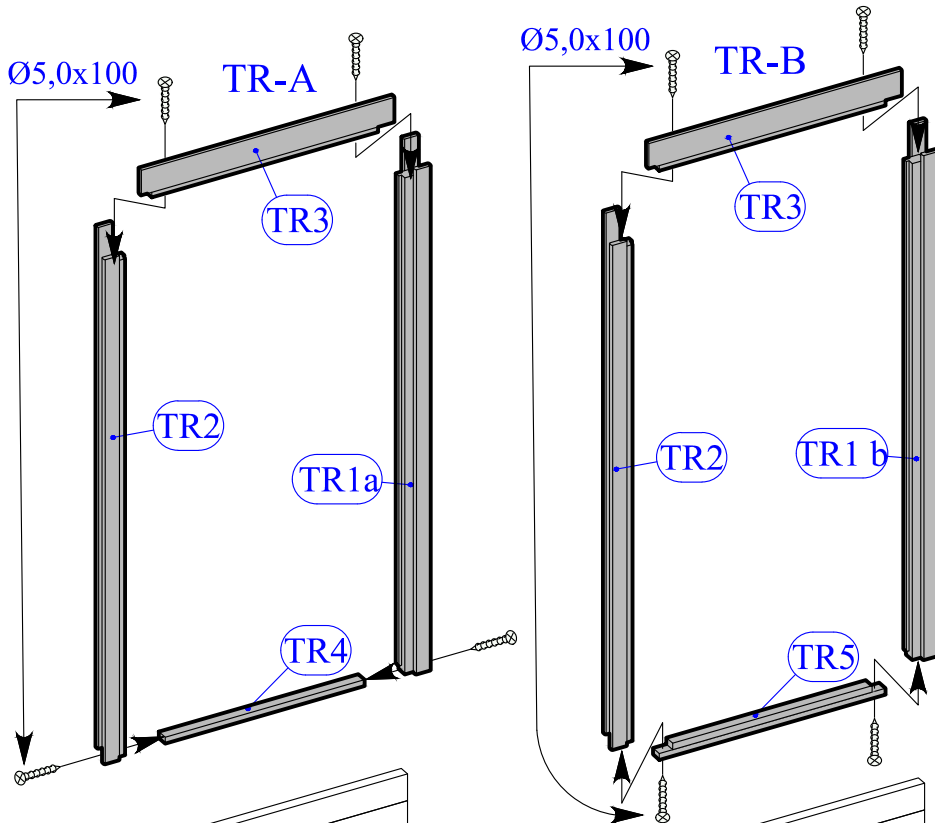


1

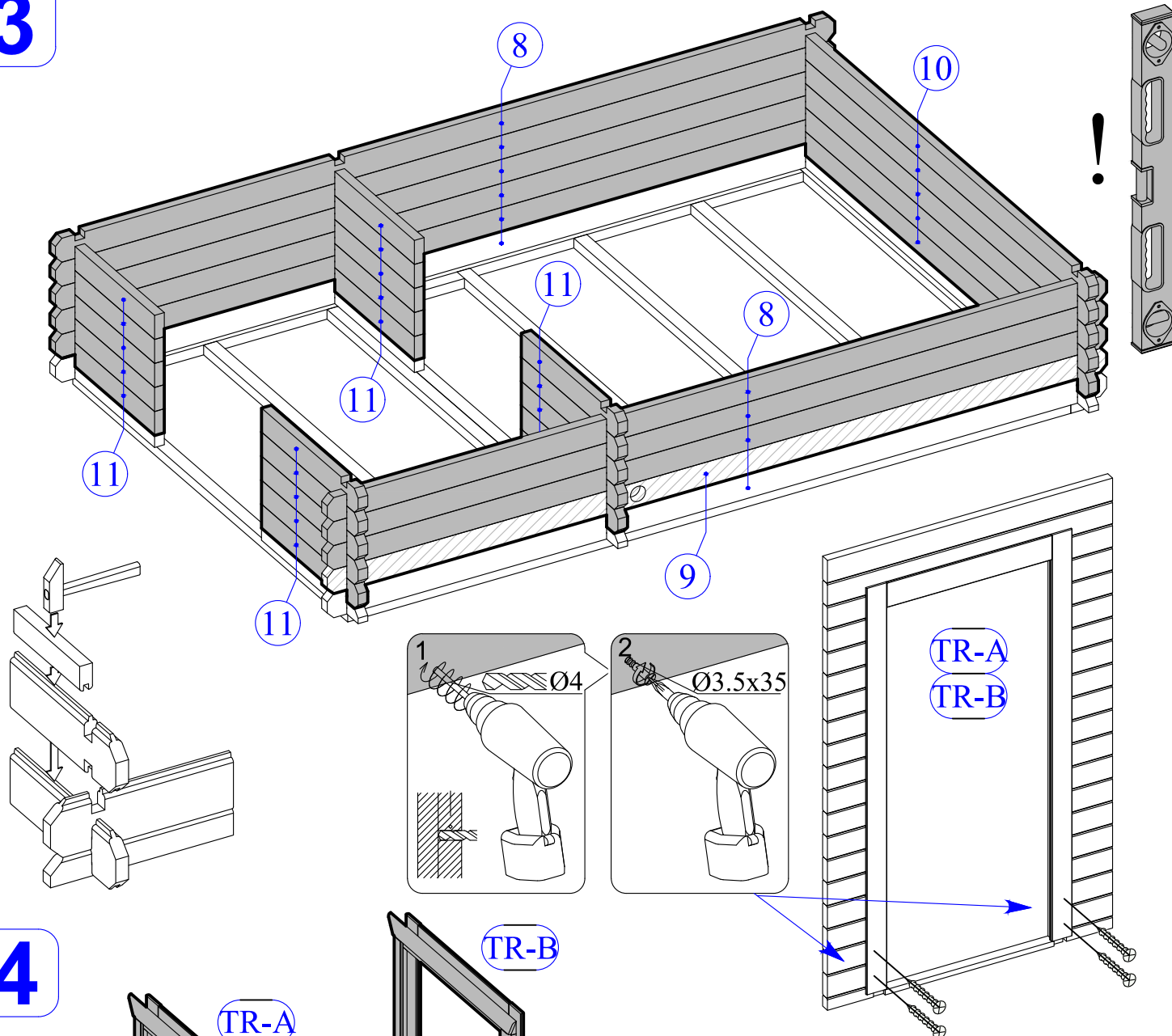


2

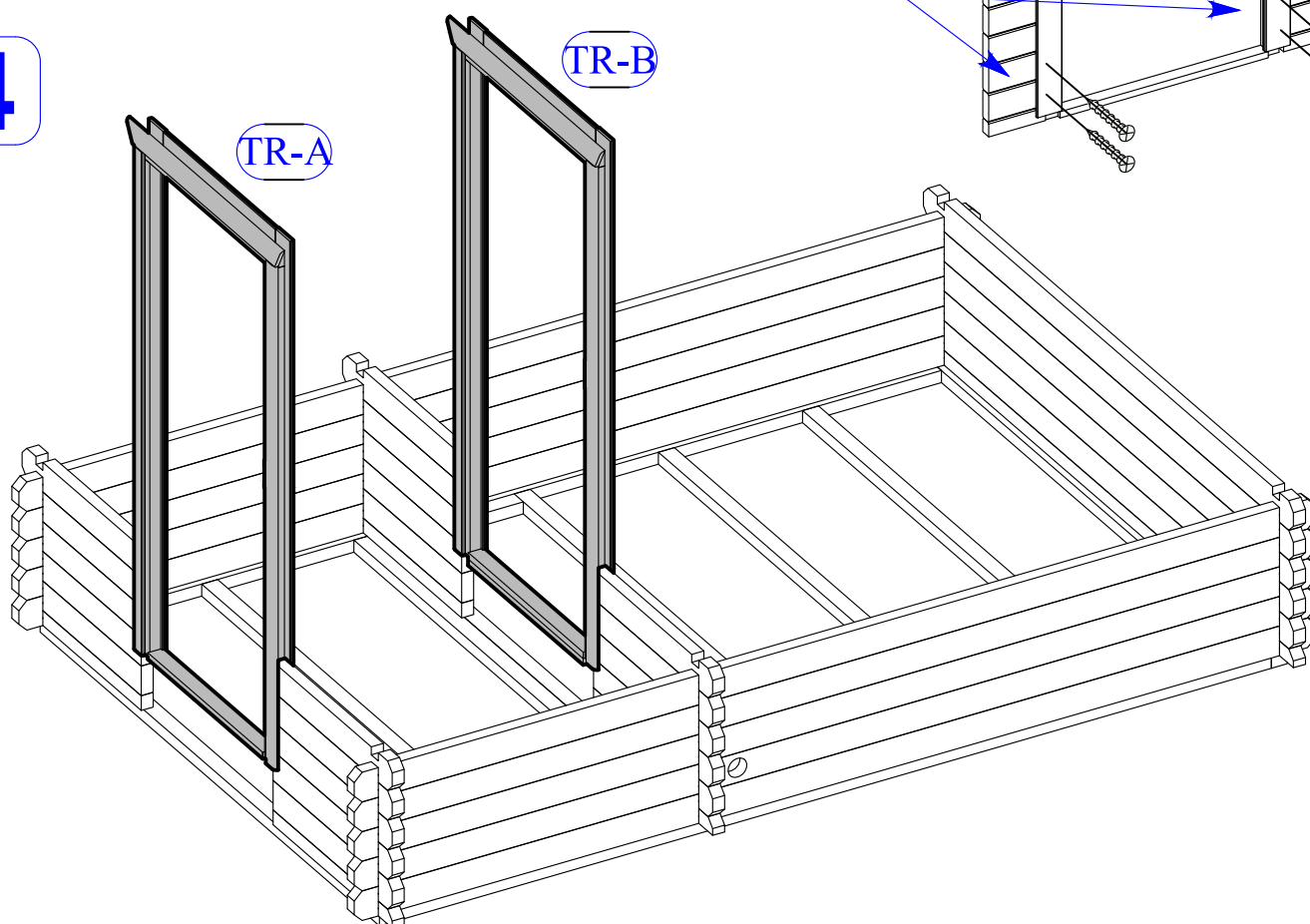




3

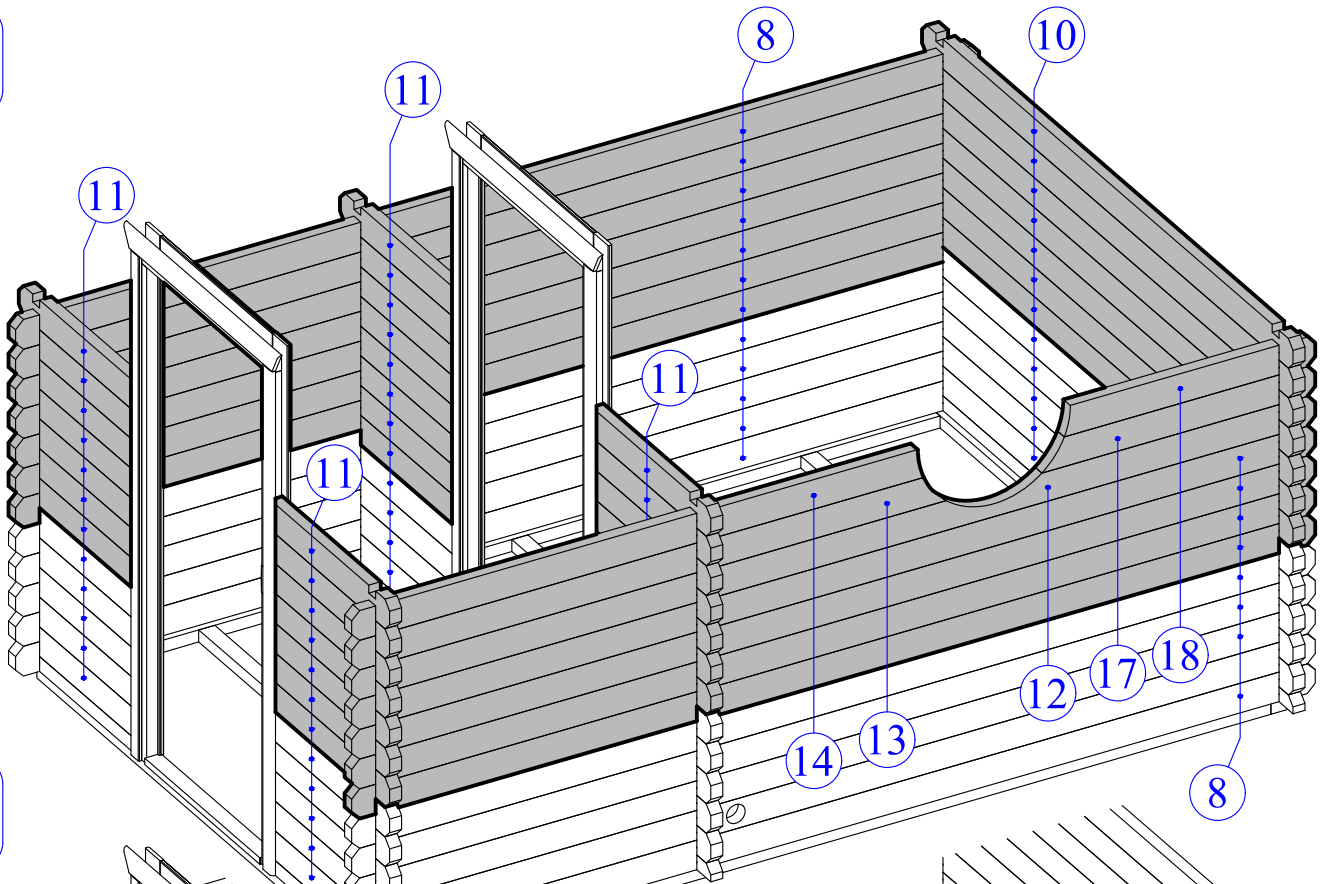


4

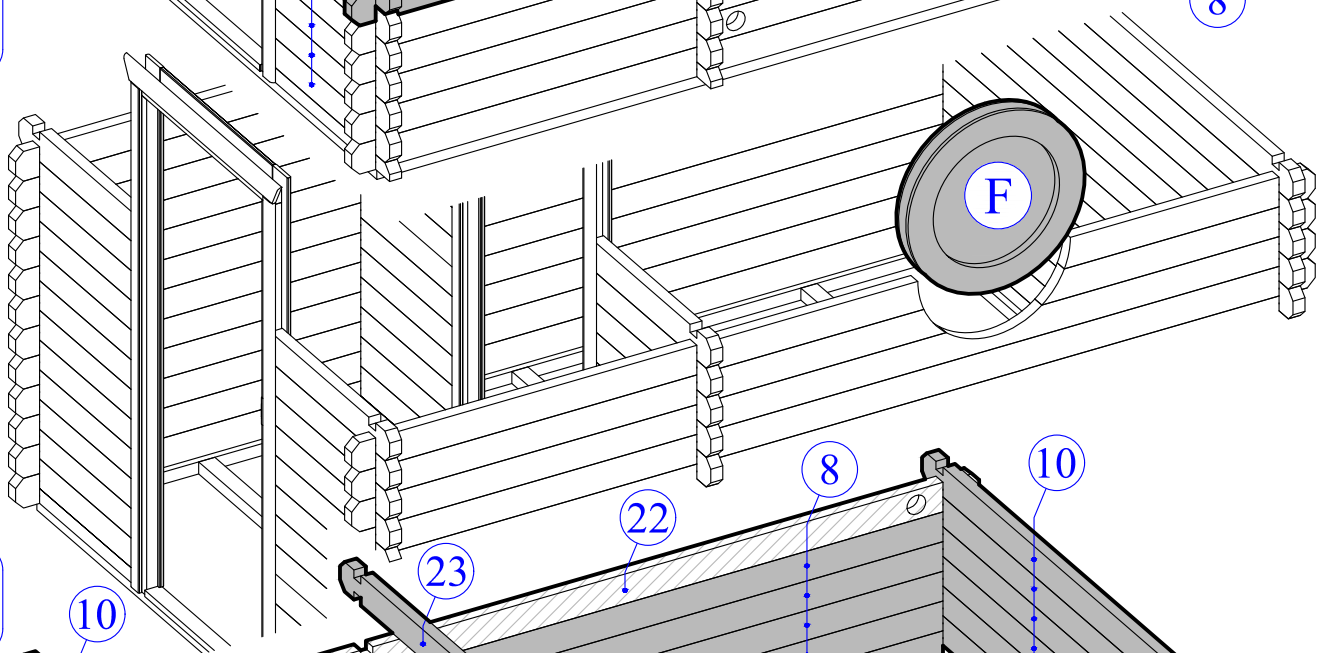




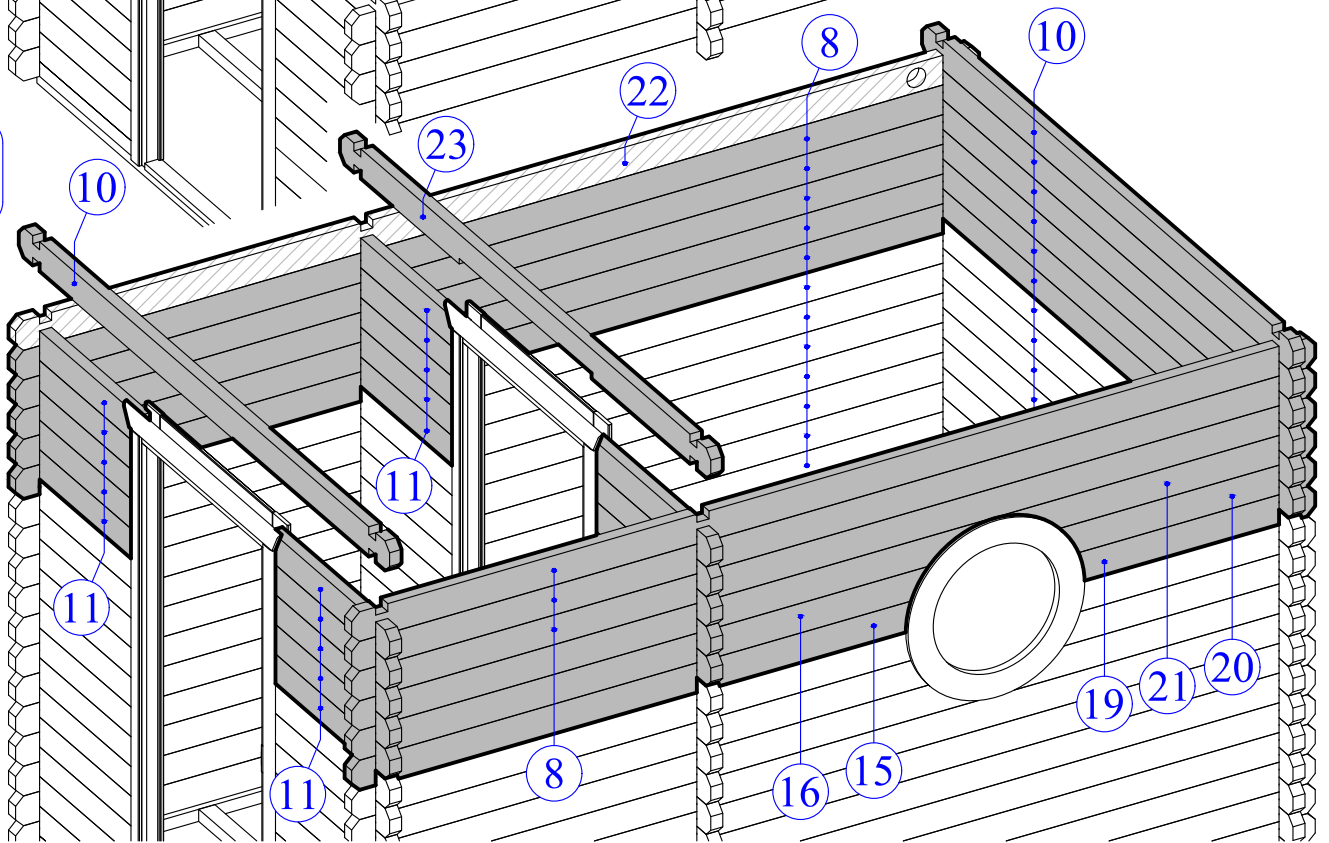
5



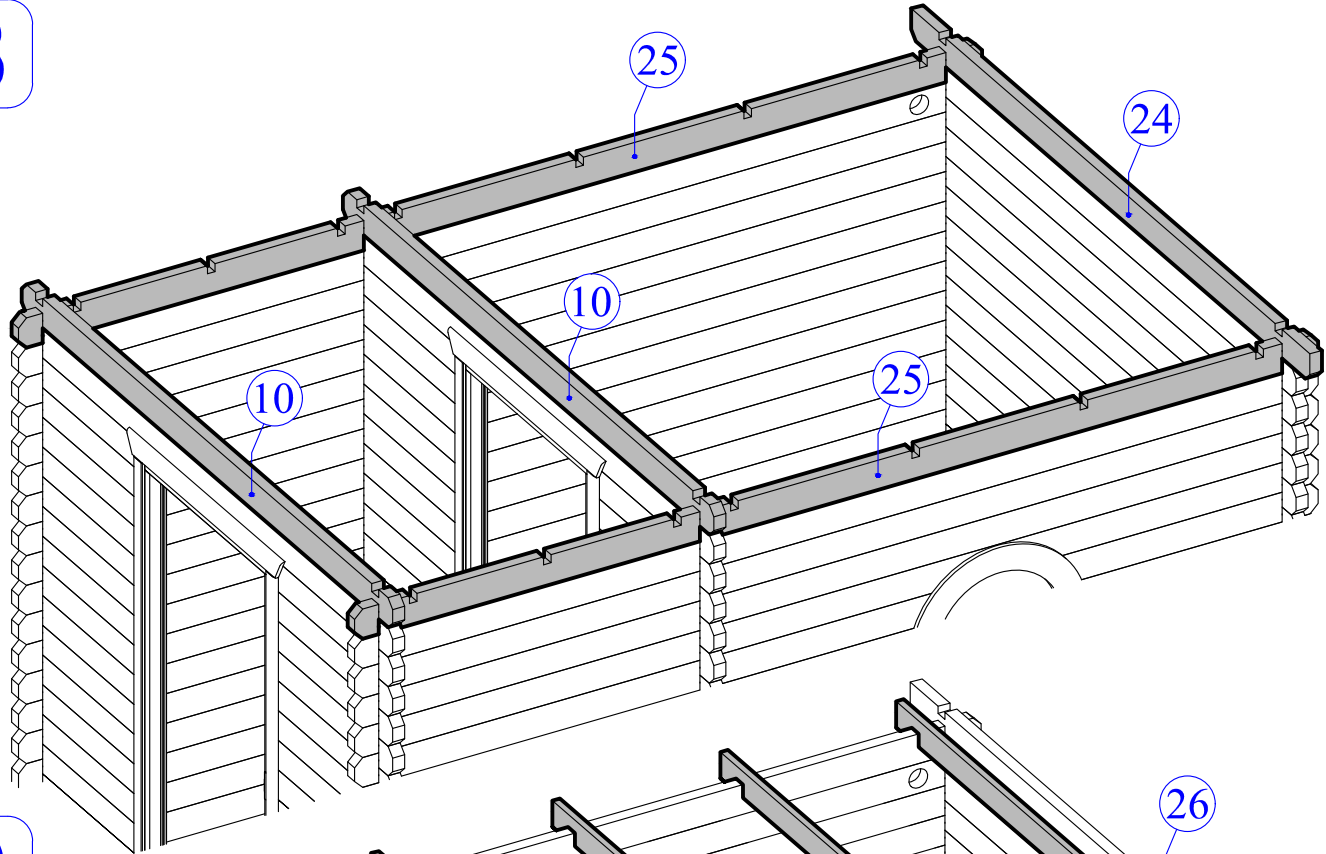
6



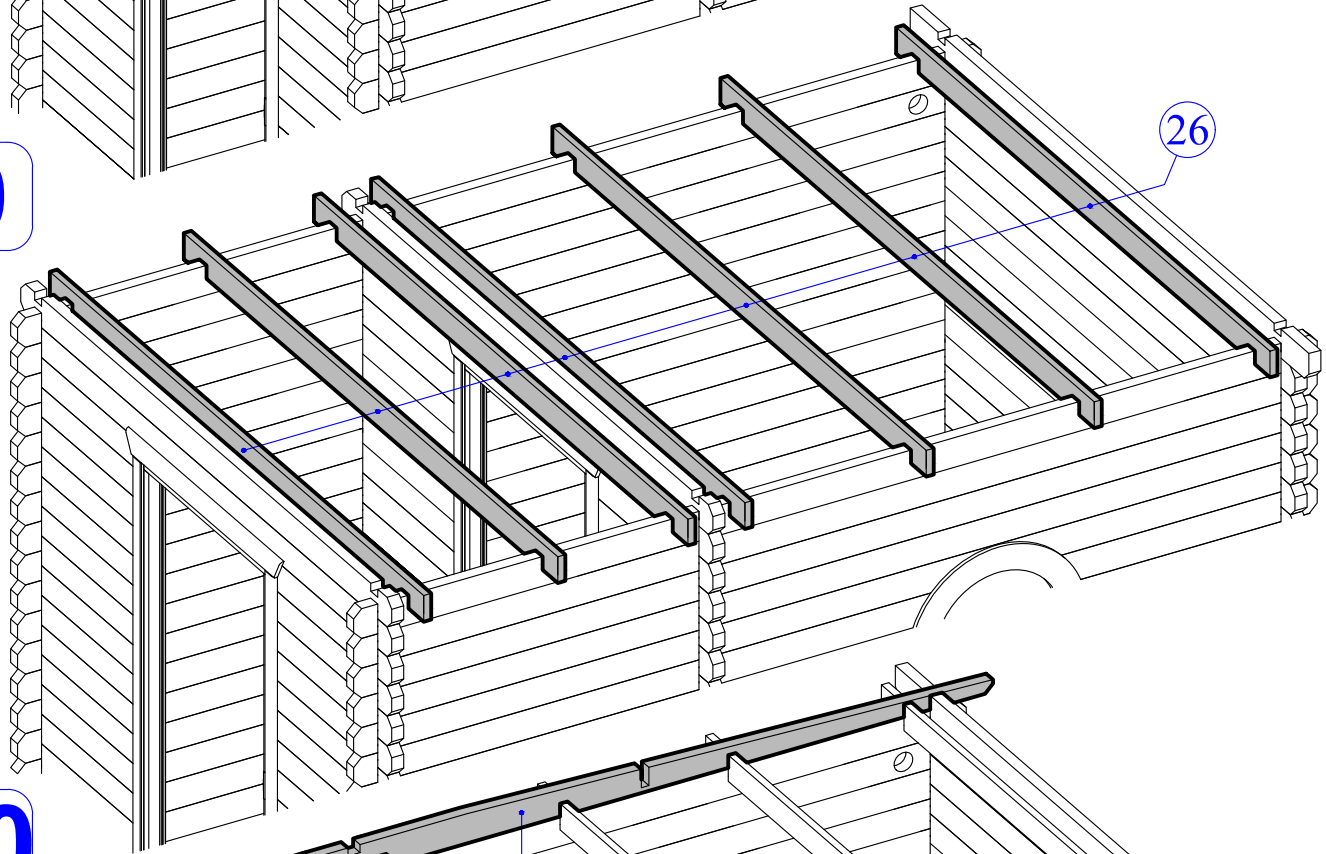
7



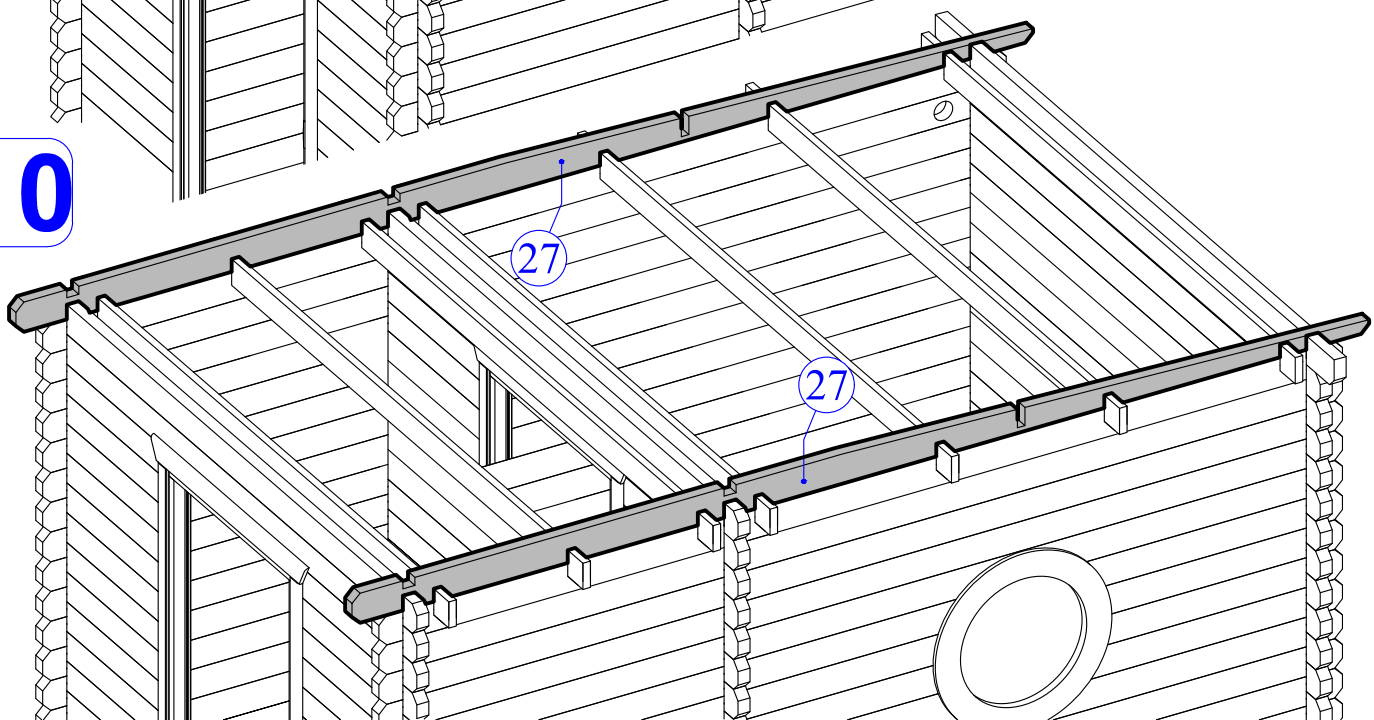
8



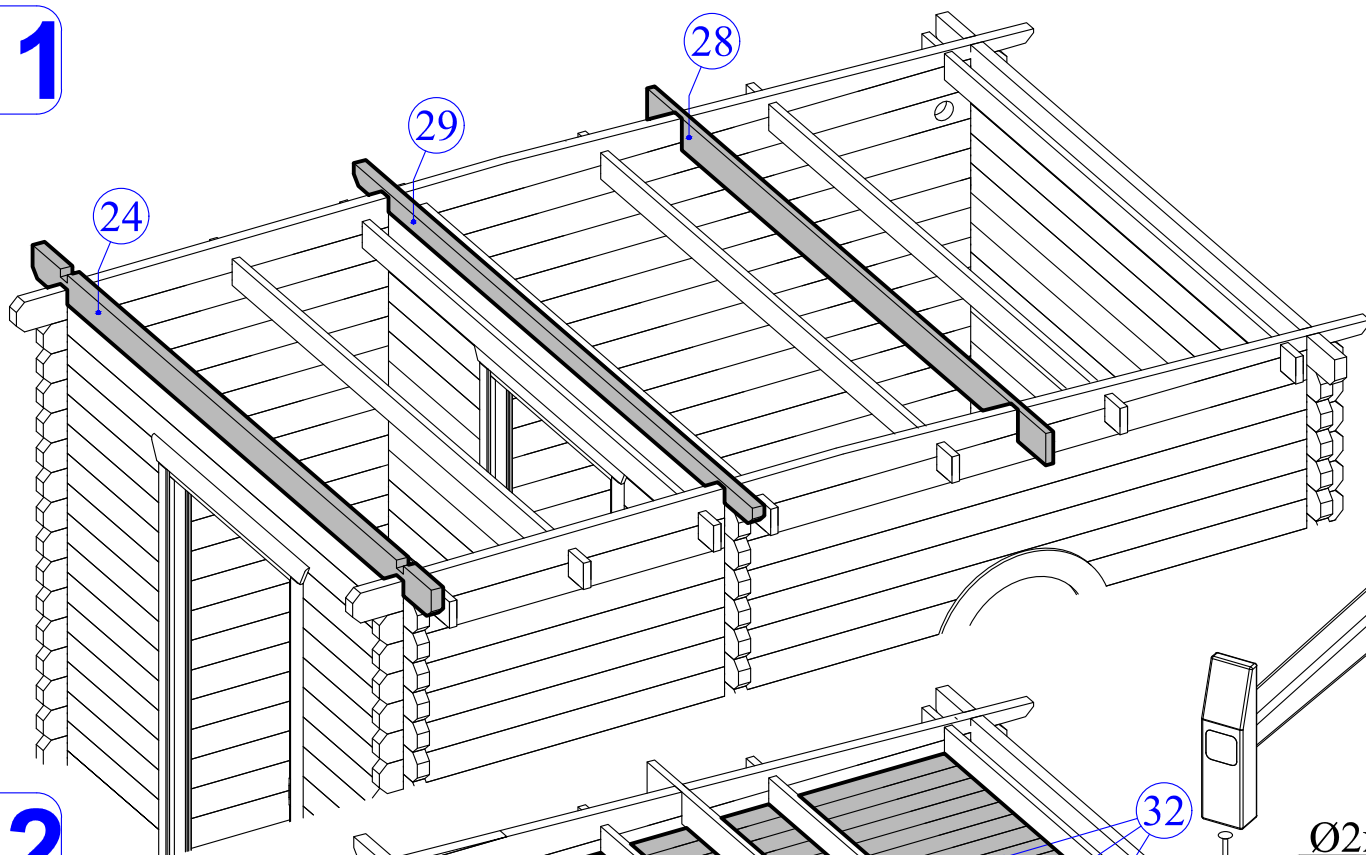
9



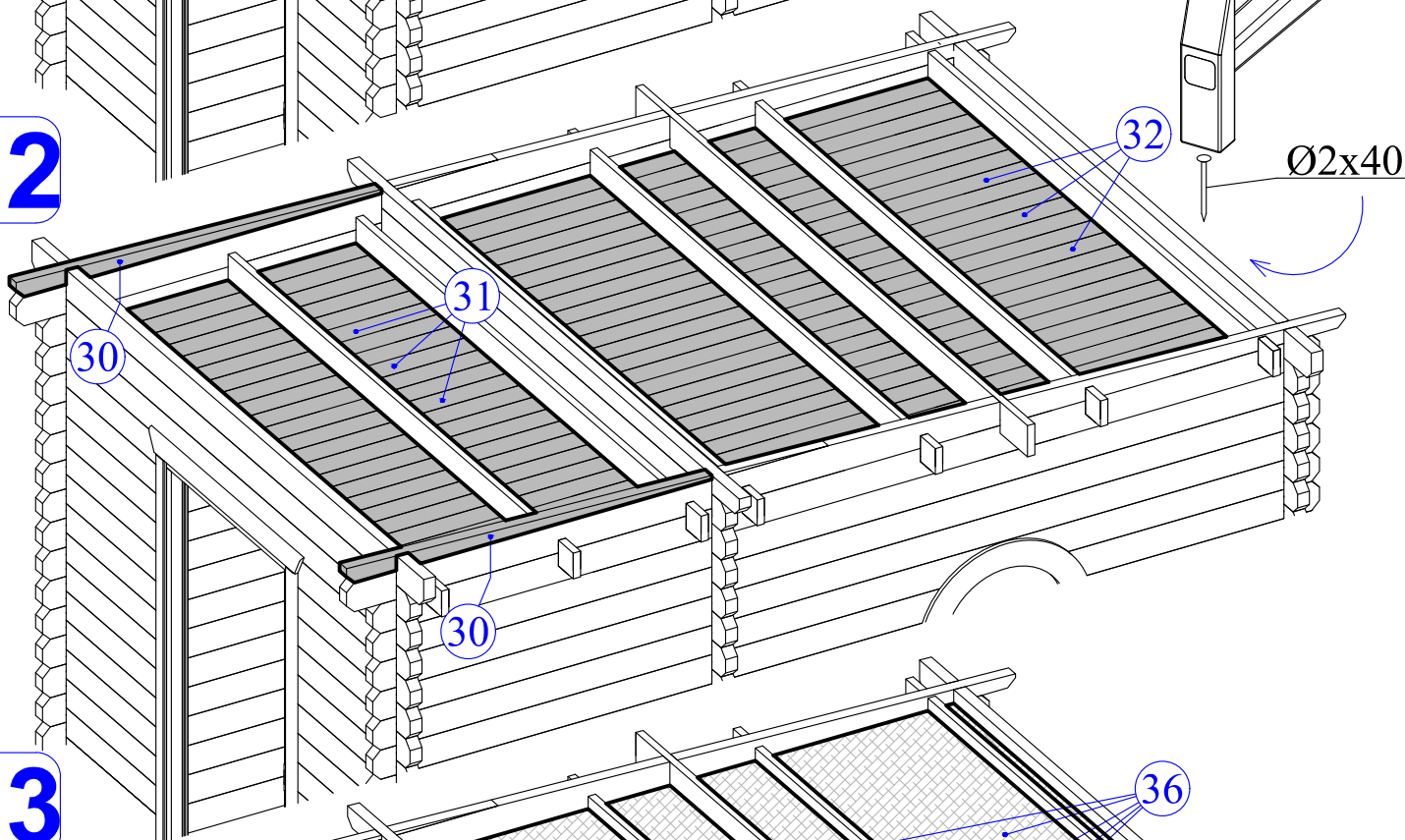
10



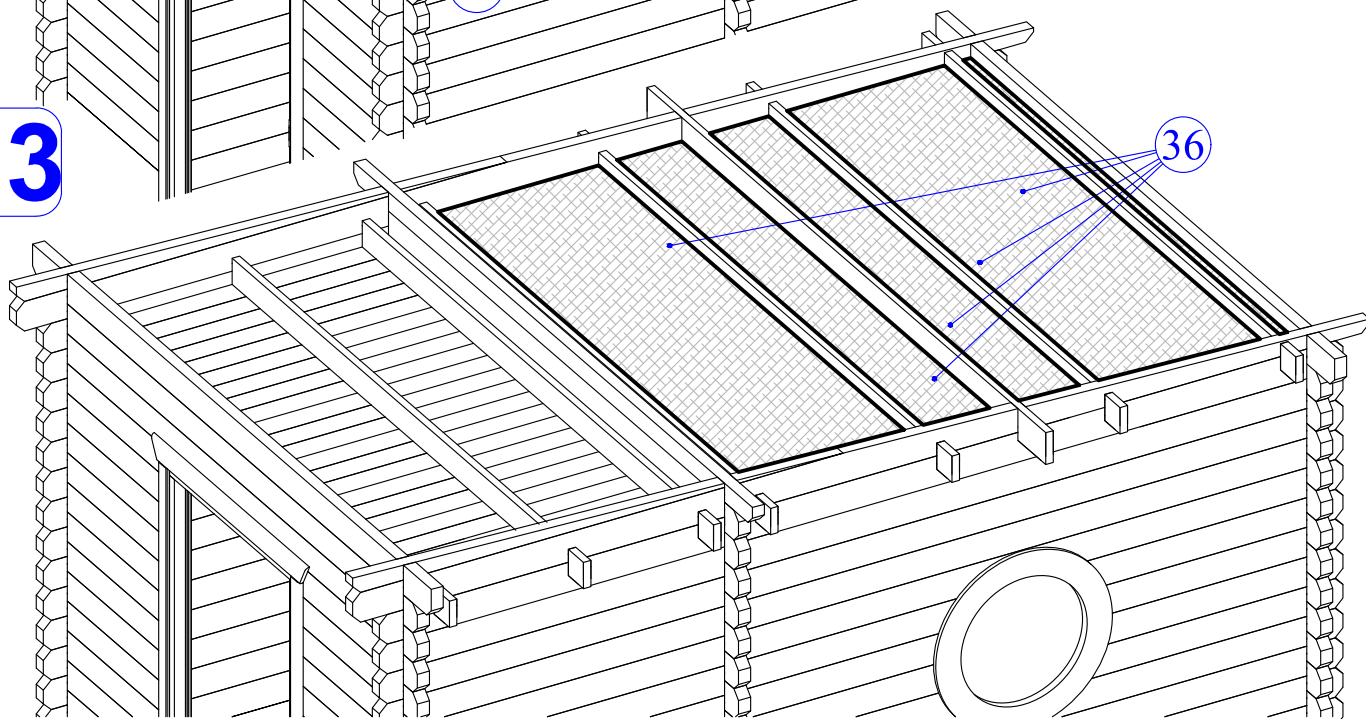
11



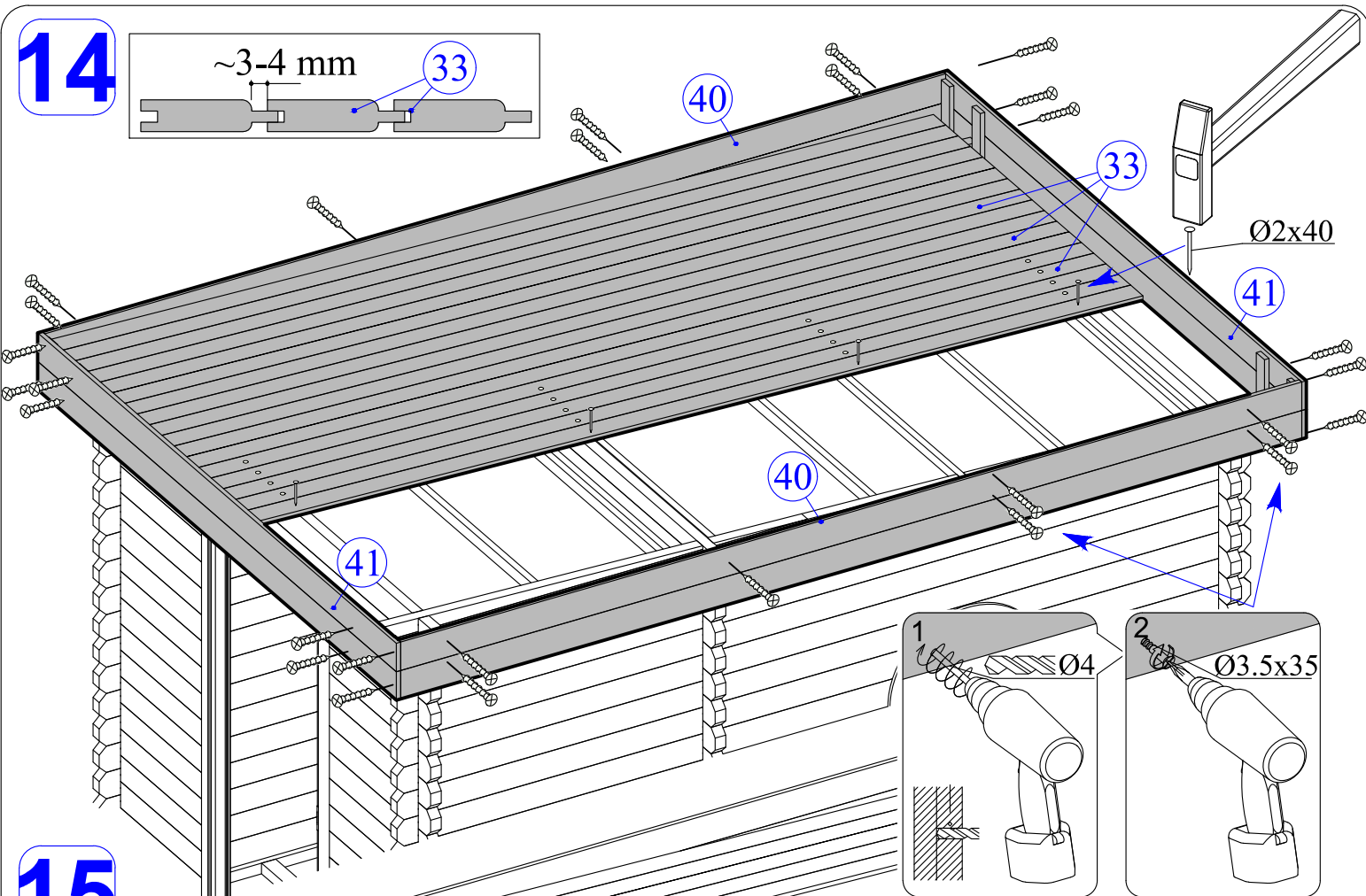
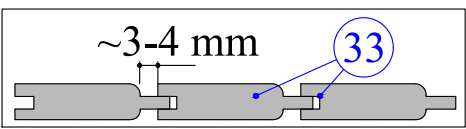
12



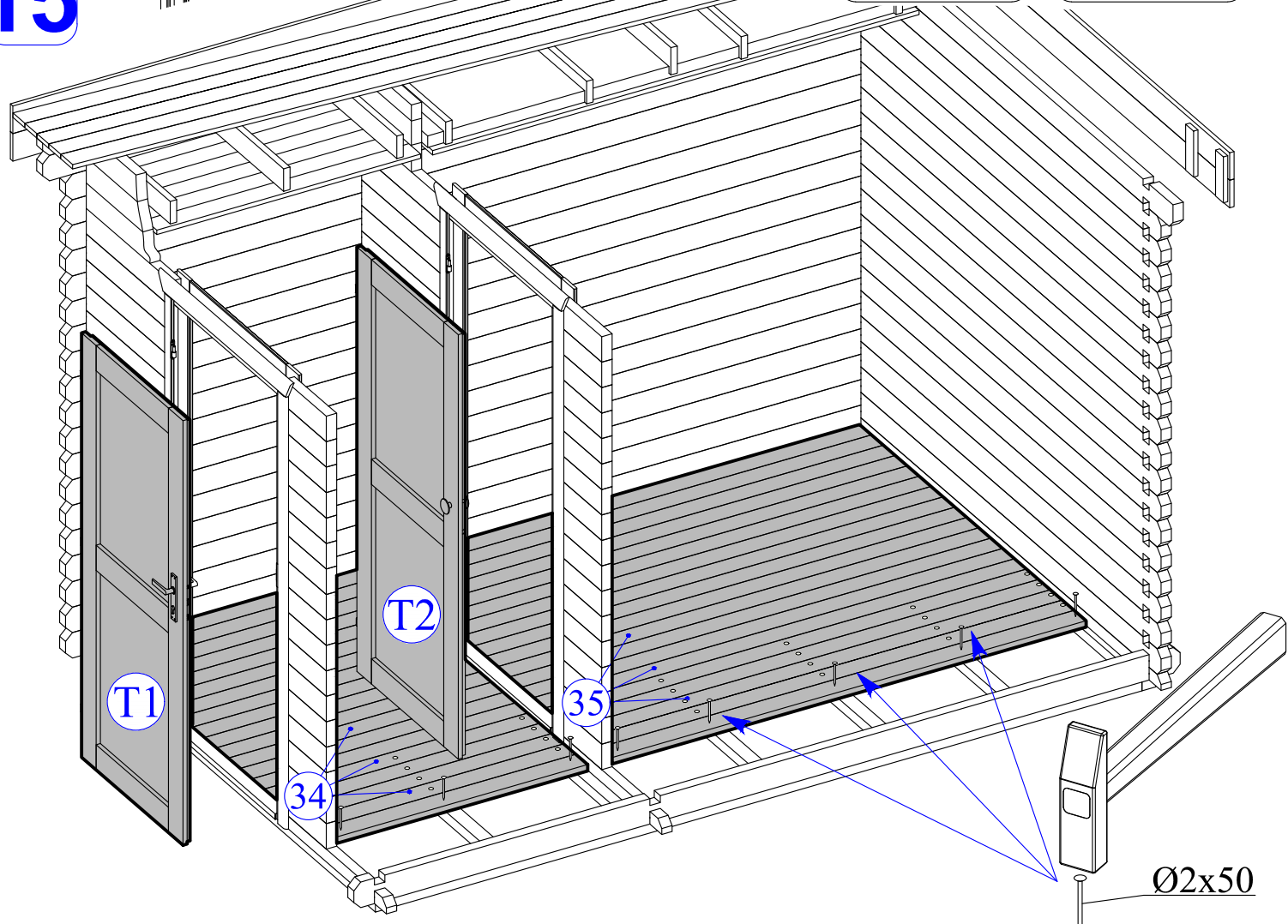
13



14

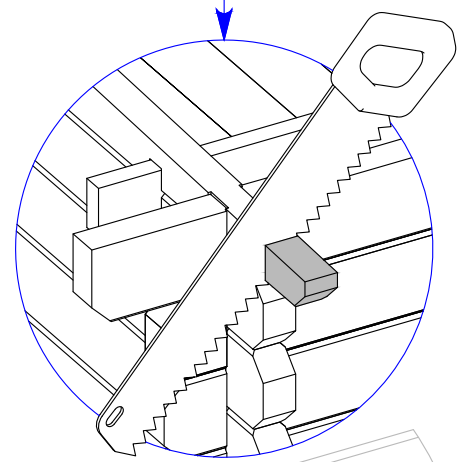
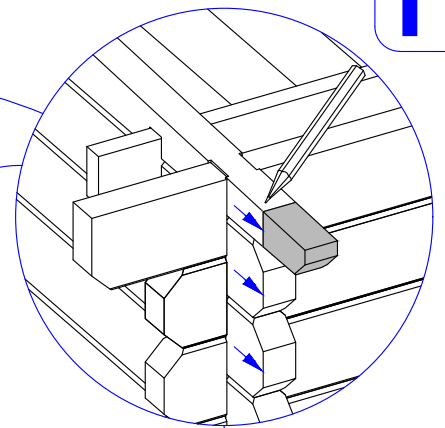
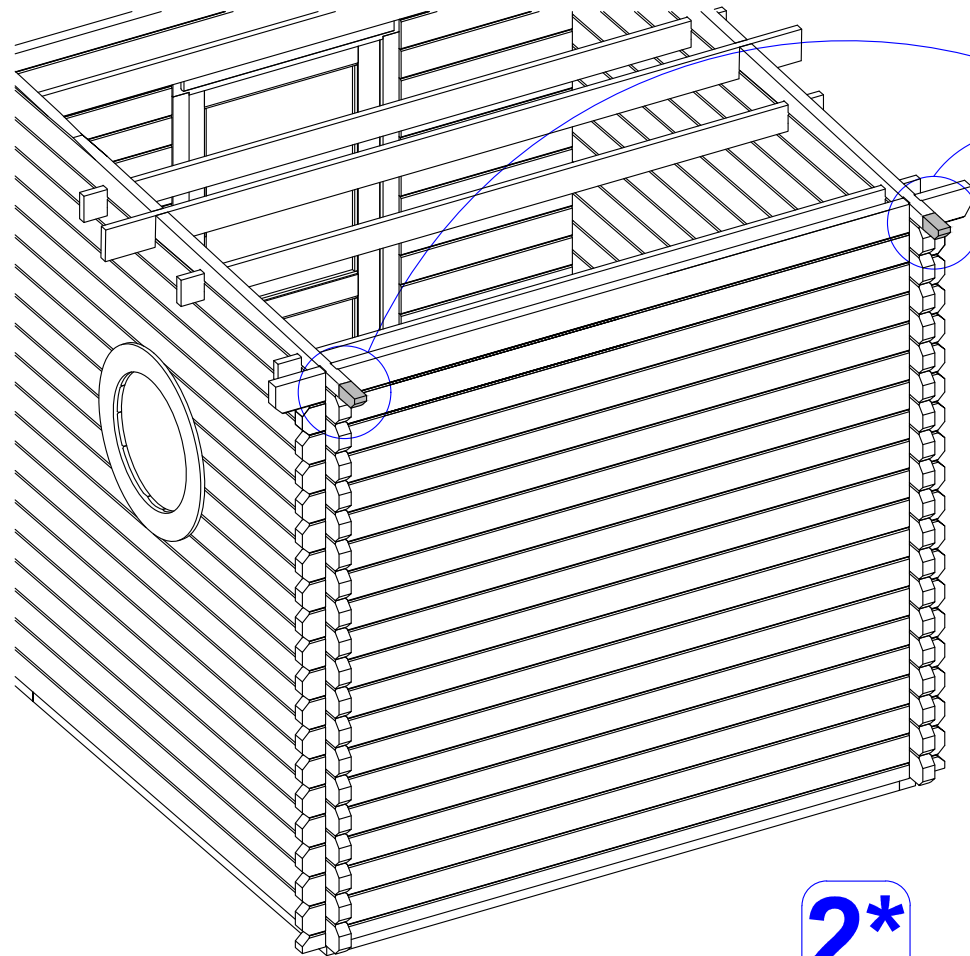


15

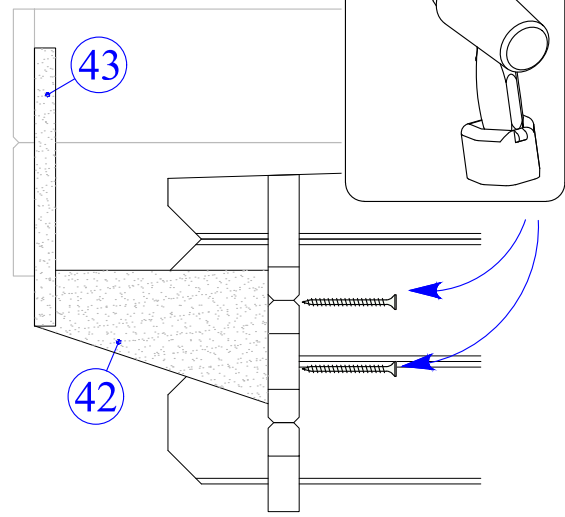
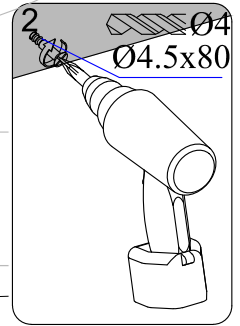
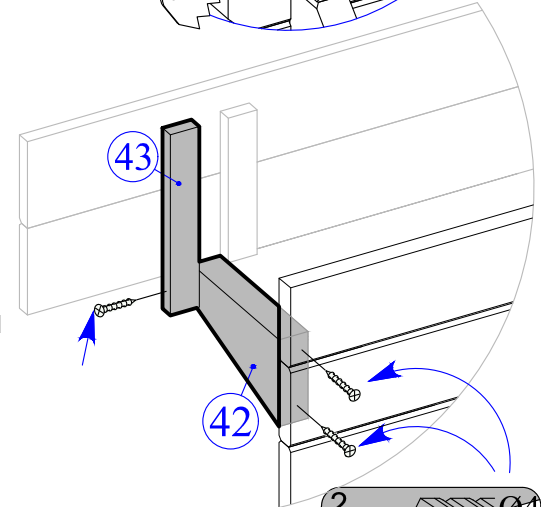
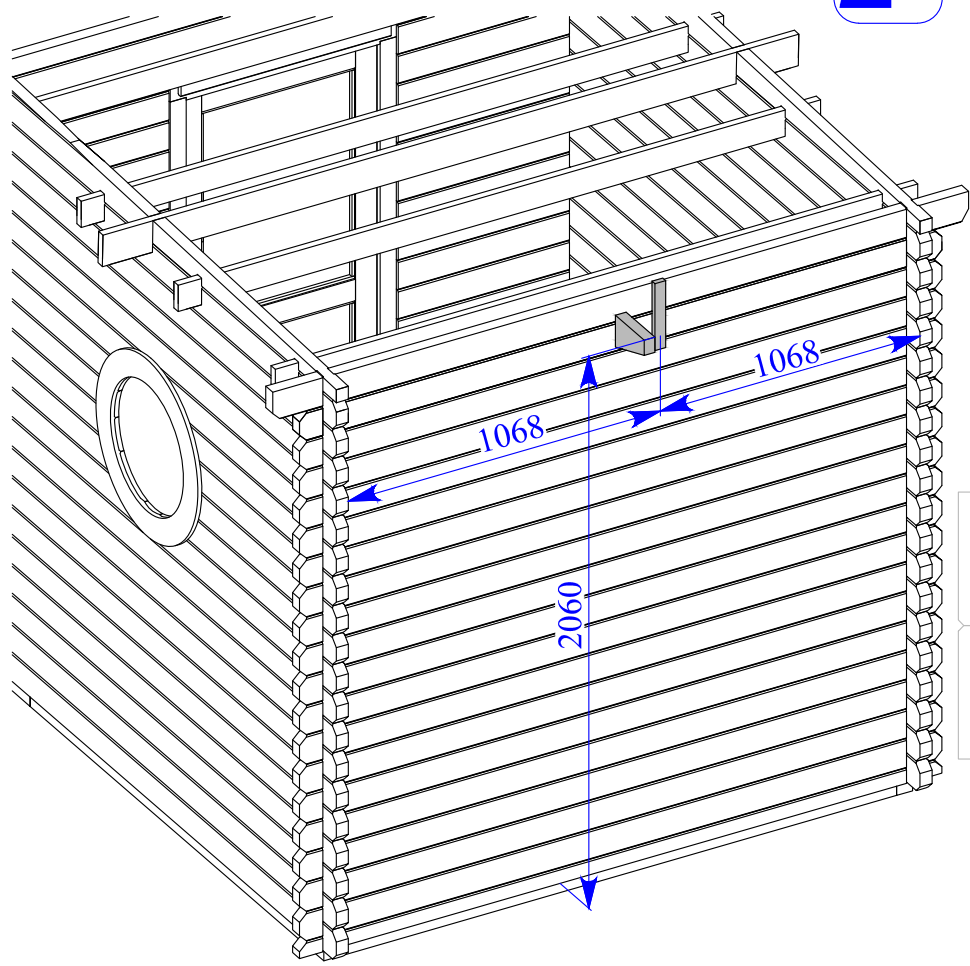


Änderung zur Montage vom Dachrinnenset.  
Changes to installation of roof gutters

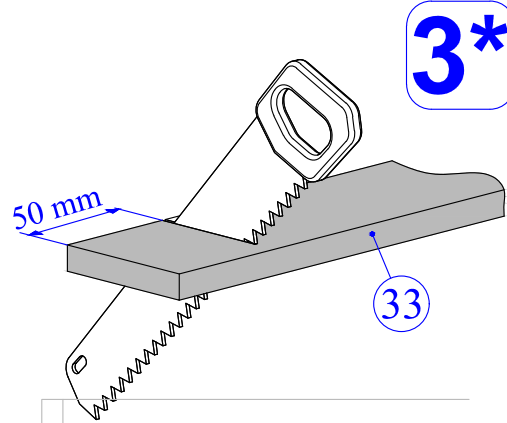
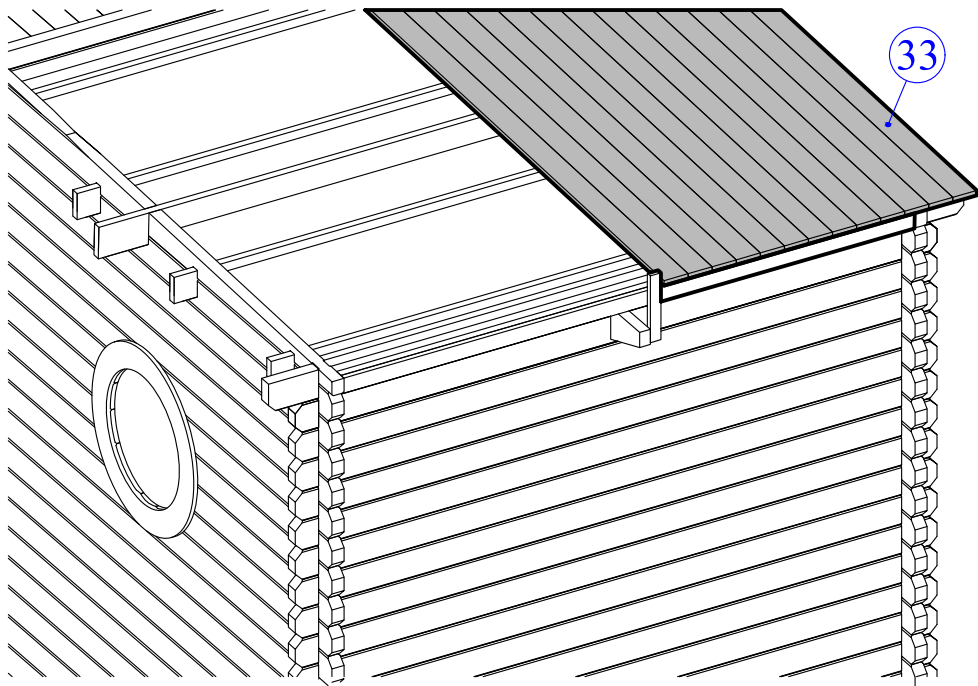
1\*



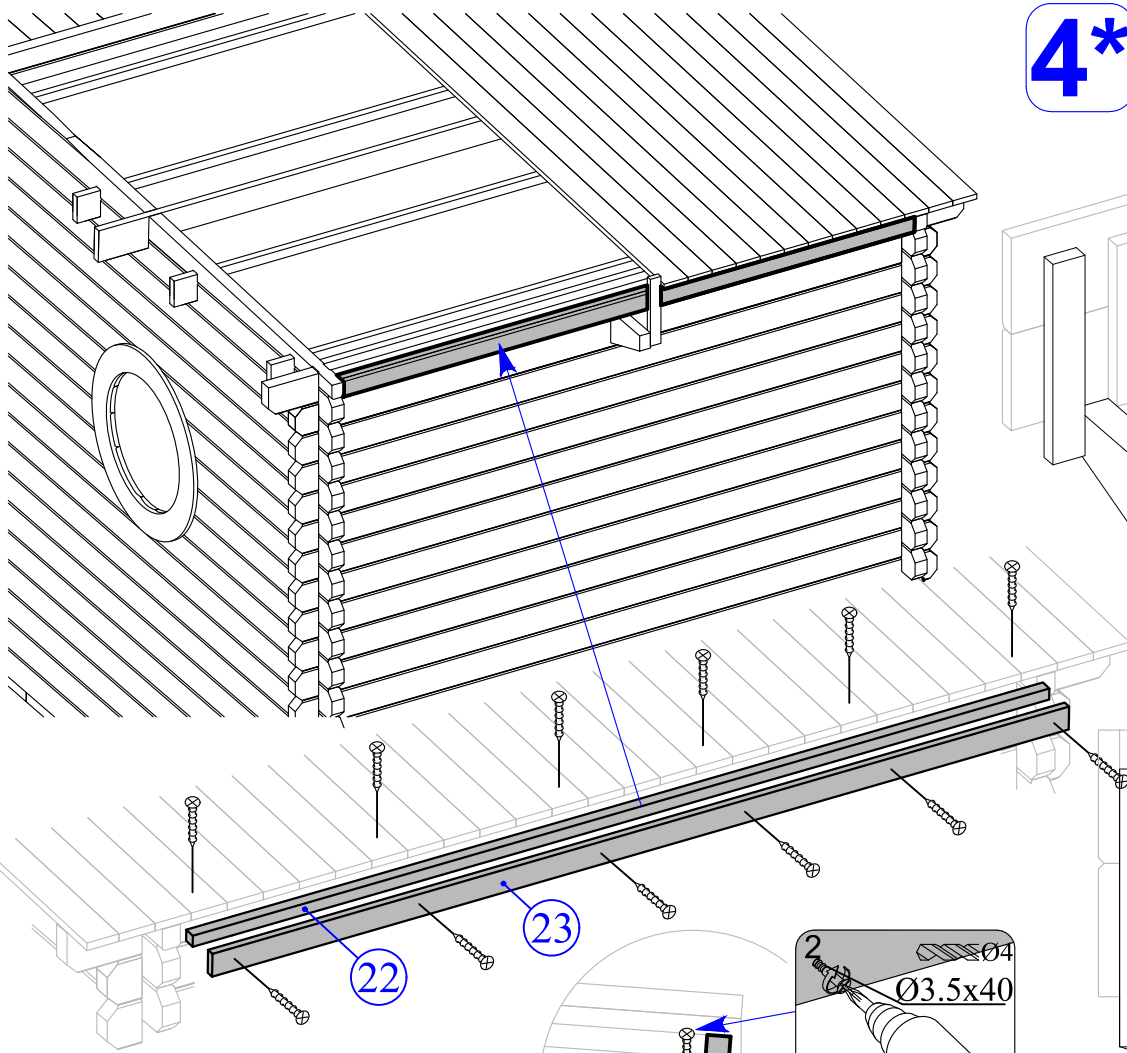
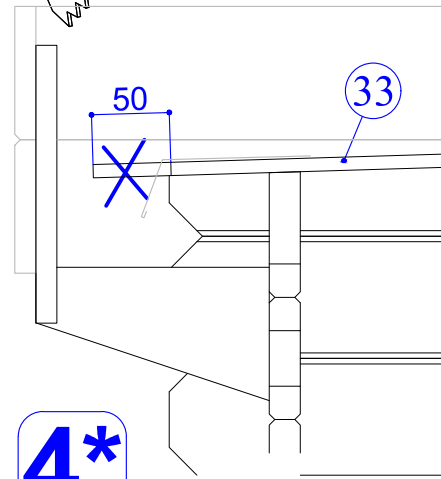
2\*



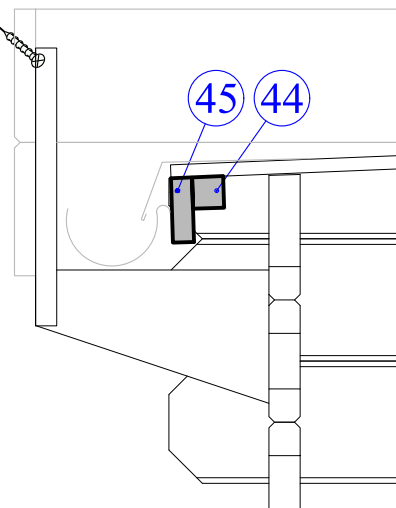
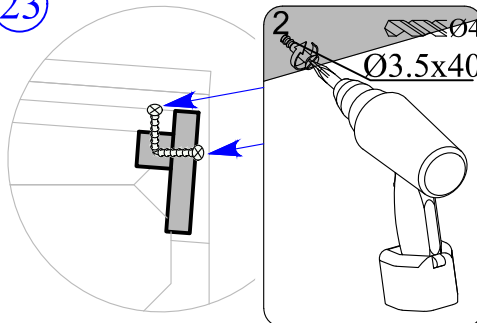
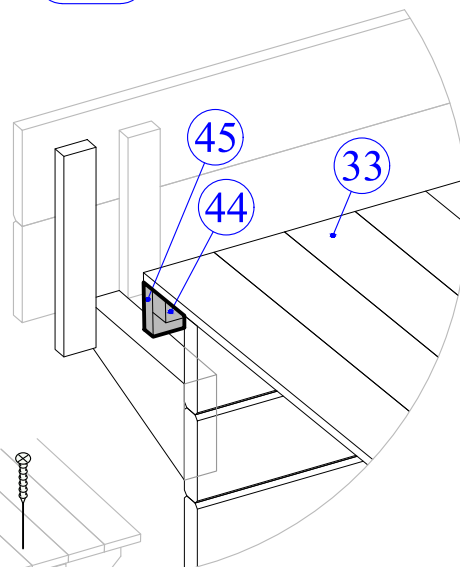
Änderung zur Montage vom Dachrinnenset.  
Changes to installation of roof gutters



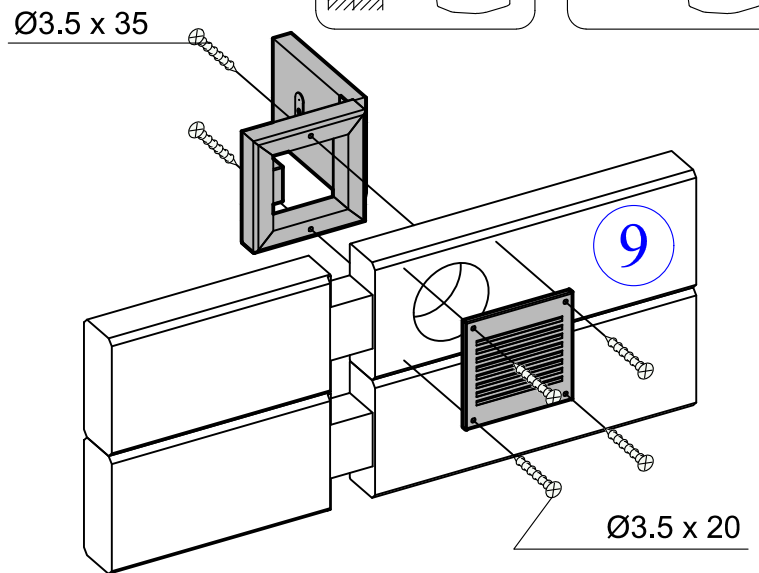
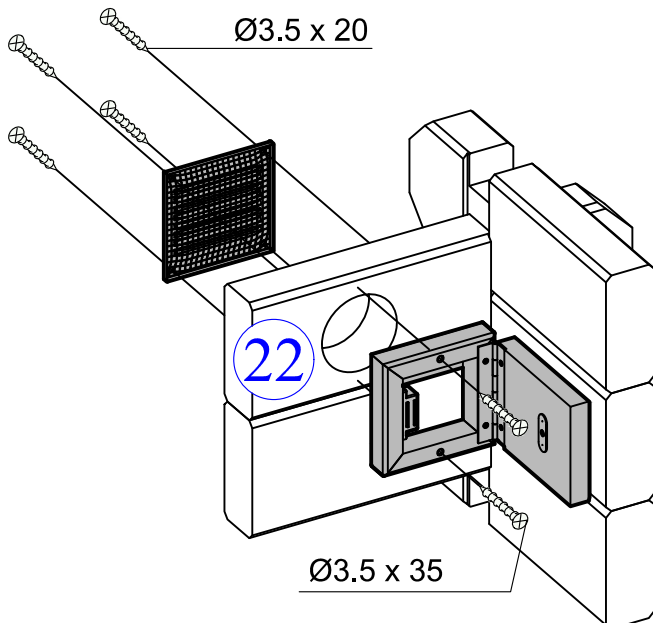
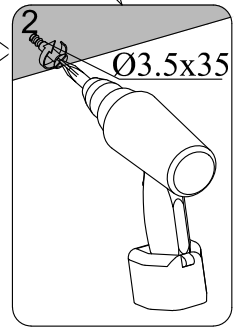
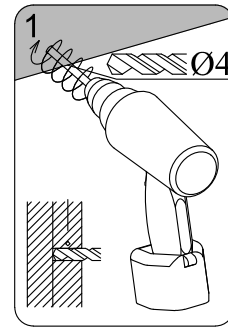
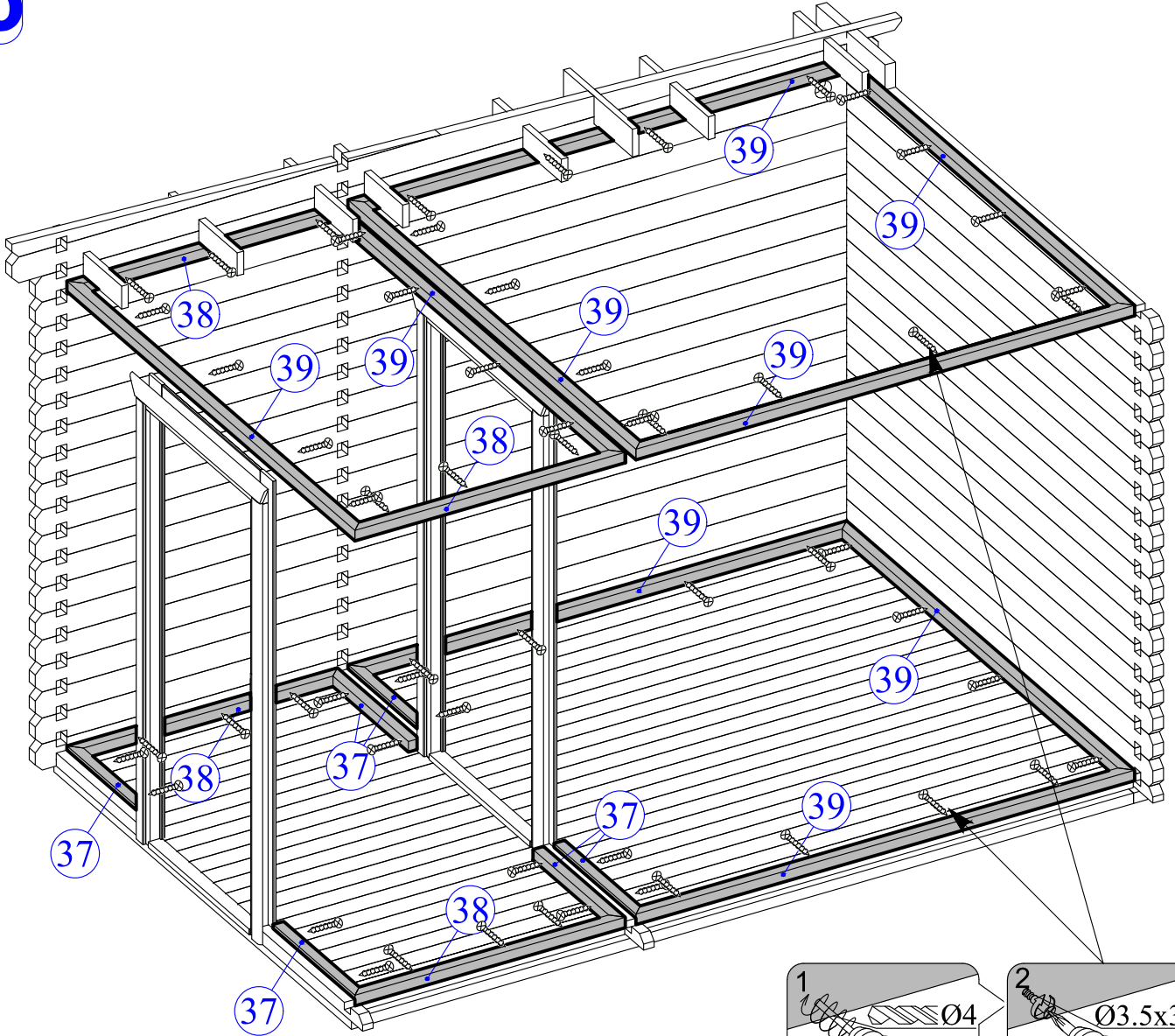
3\*

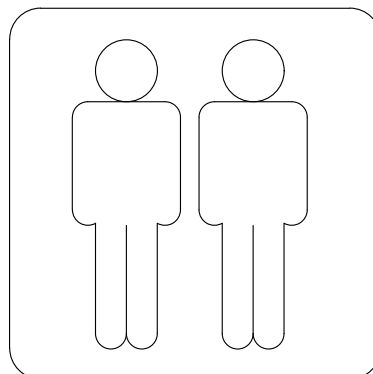
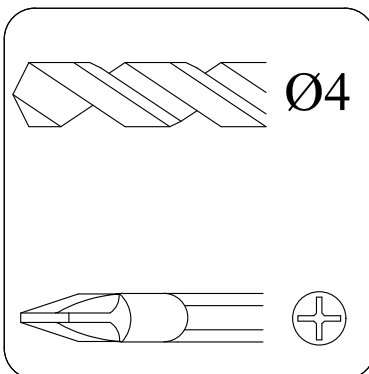
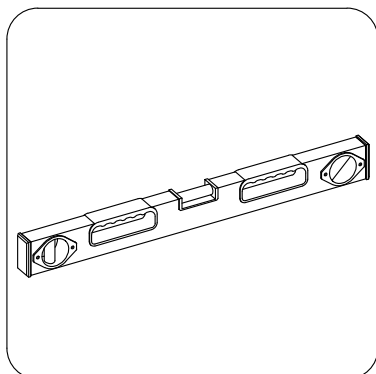
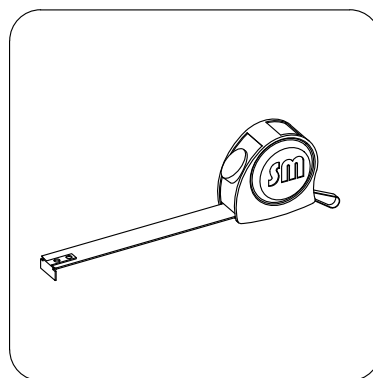
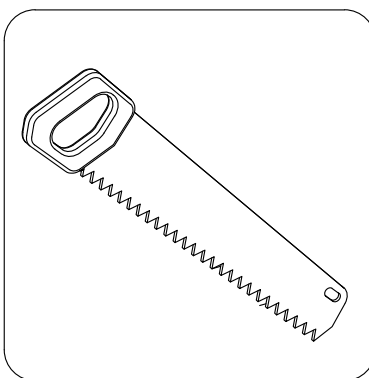
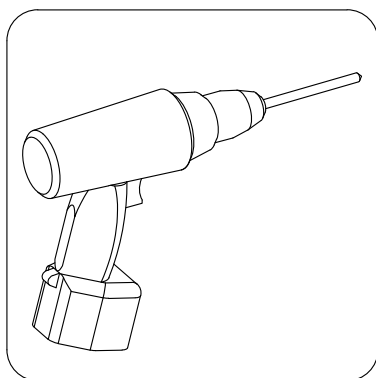
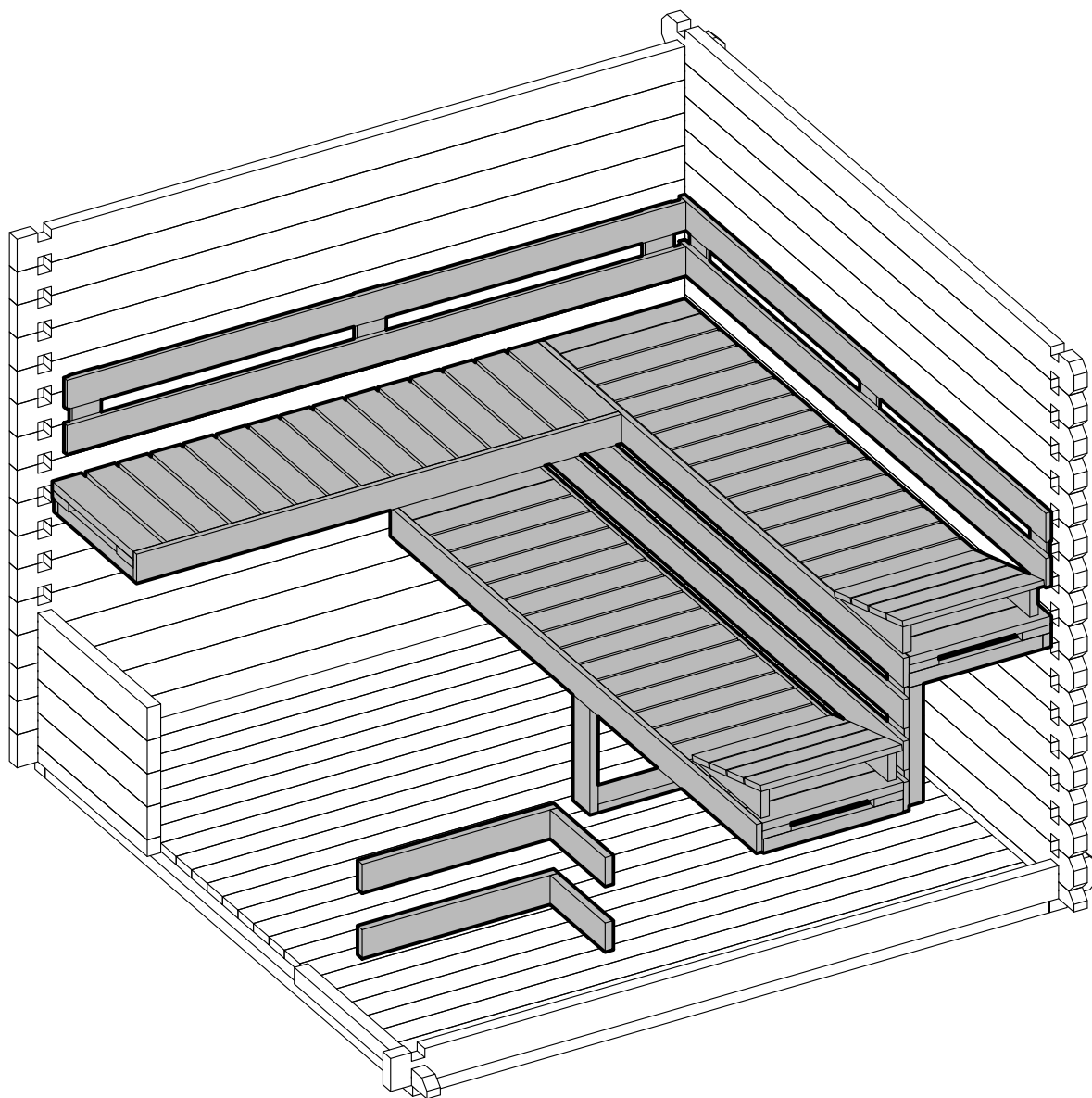


4\*

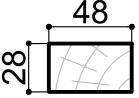
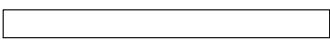
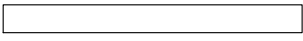



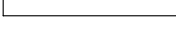
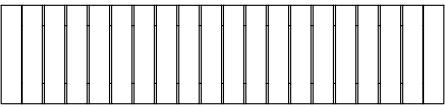
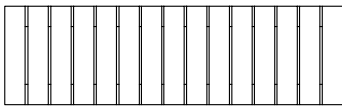
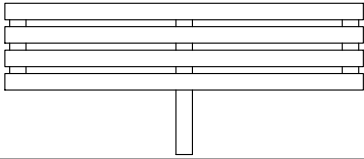
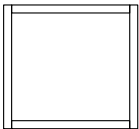
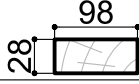

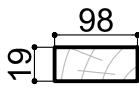
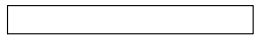

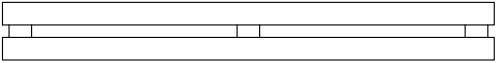
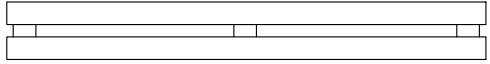
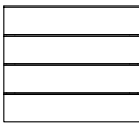
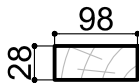




16

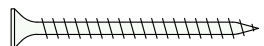






| Dim.  | Skizze/Sketch   | Pos. | Länge/length<br>(mm) | Stck.<br>/Total | Name                           | Ref.   |
|---|---|------|----------------------|-----------------|--------------------------------|--------|
|    |    | ①    | 2135<br>(1070x2)     | 1               | Latten<br>Lath                 | 287107 |
|   |    | ②    | 1500                 | 1               |                                | 287108 |
|   |    | ③    | 575                  | 2               |                                | 287110 |
|   |    | ④    | 440                  | 1               |                                | 287112 |
|   |    | ⑤    | 397                  | 2               |                                | 287109 |
|   |    | ⑥    | 600                  | 2               |                                | 287111 |
|   |    | ⑦    | 600<br>x 2135        | 2               | Bank<br>Bench                  | 287113 |
|   |   | ⑧    | 475<br>x 1500        | 1               | Bank<br>Bench                  | 287114 |
|   |  | ⑨    | 516<br>x 2135        | 1               | Bank<br>Bench                  | 287115 |
|   |  | ⑩    | 430<br>x 590         | 1               | Unterstützung<br>Bench support | 287116 |
|  |  | ⑪    | 595                  | 1               | Stützbalken<br>Support         | 287124 |
|  |  | ⑫    | 2135                 | 1               | Abdeckbrett<br>Cover board     | 287122 |
|   |  | ⑬    | 1500                 | 1               | Abdeckbrett<br>Cover board     | 287123 |
|   |  | ⑭    | 250<br>x 2135        | 1               | Rückseite brett<br>Backrest    | 287118 |
|   |  | ⑮    | 250<br>x 2097        | 1               | Rückseite brett<br>Backrest    | 287119 |
|   |  | ⑯    | 300<br>x 475         | 2               | Pad<br>Pad                     | 287117 |
|  |  | ⑰    | 320                  | 2               | Rückseite brett<br>Cover board | 287120 |
|   |  | ⑱    | 660                  | 2               | Rückseite brett<br>Cover board | 287121 |

Ø4.5 x 90 -17



Ø3.5 x 45 -69

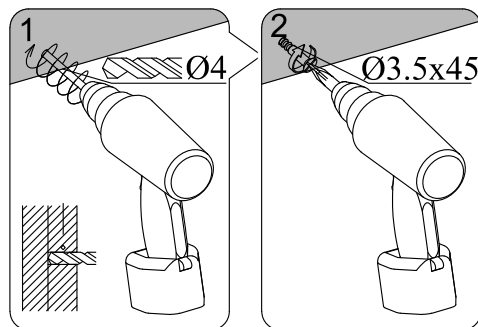
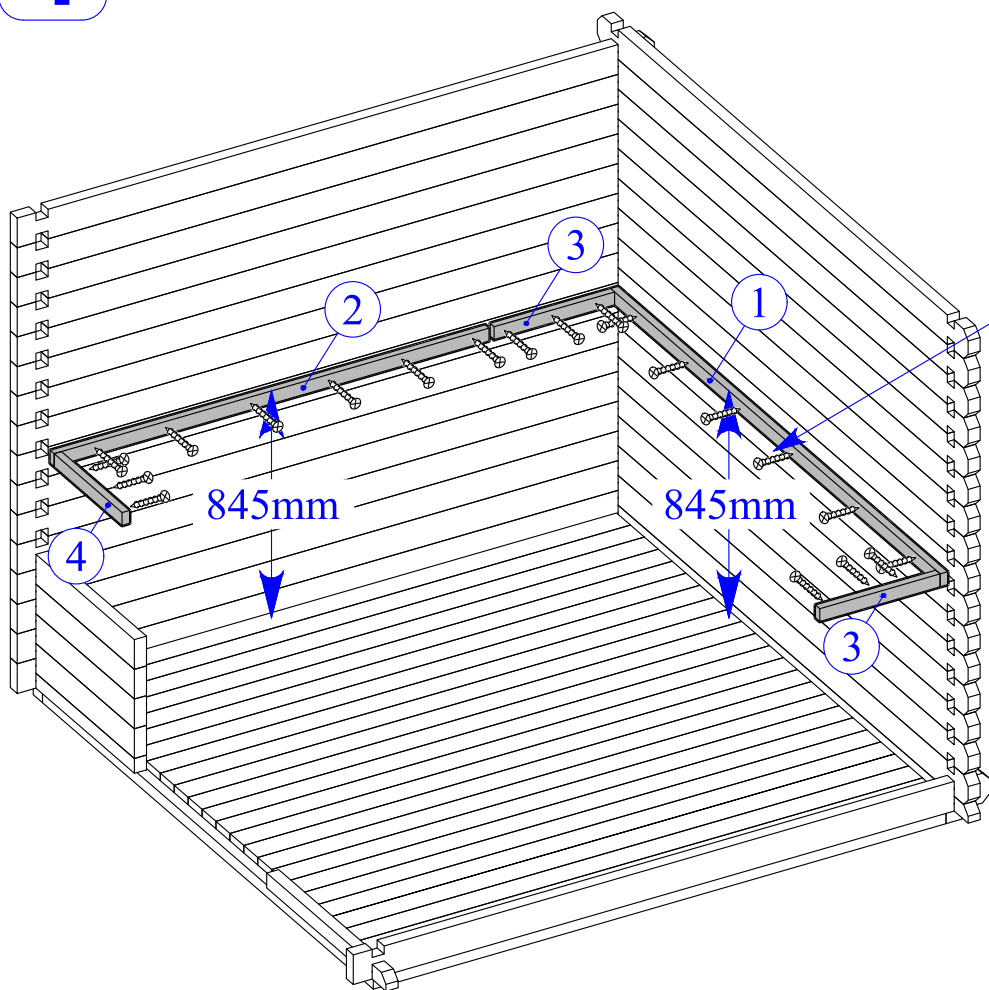


Ø3.5 x 25 -36

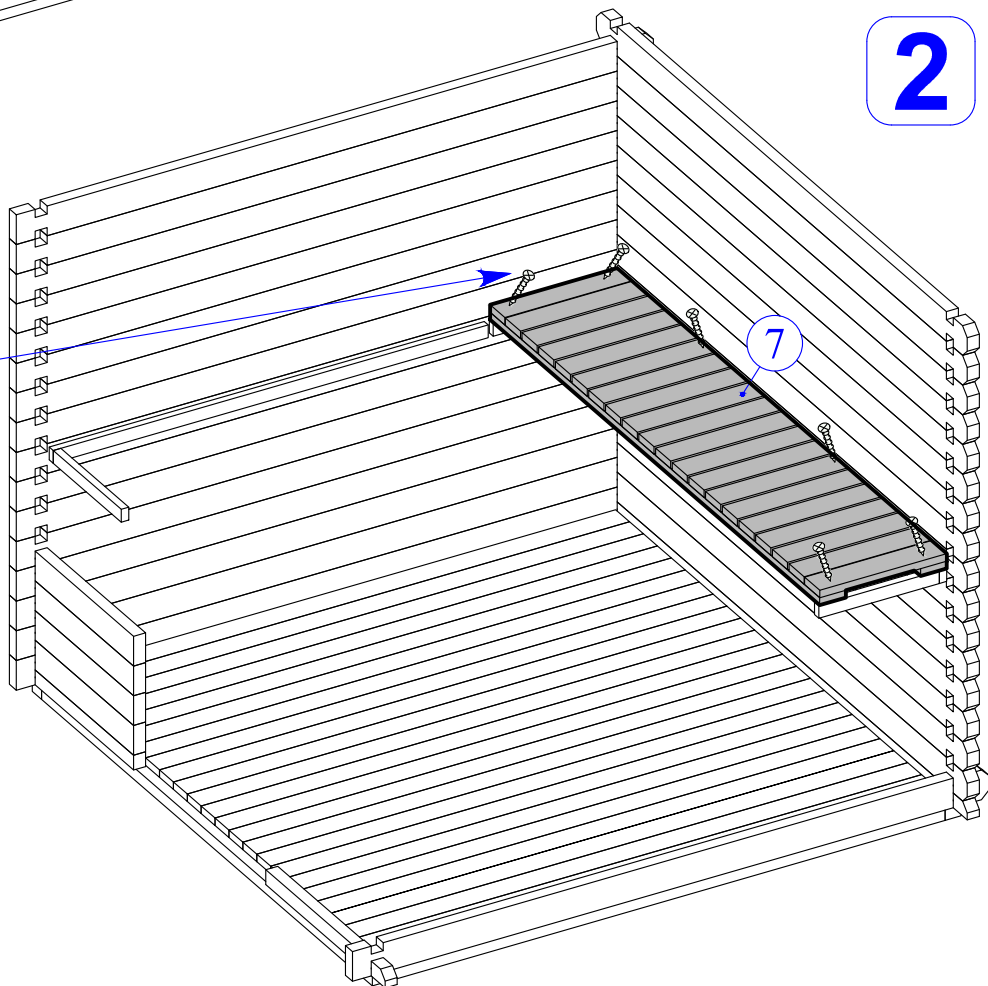
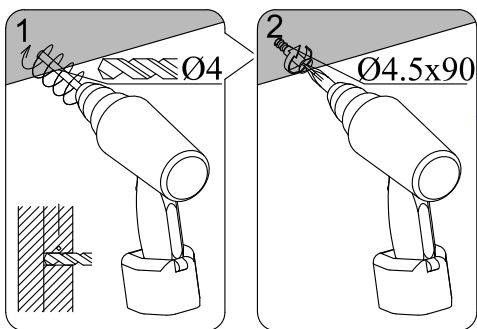


-6

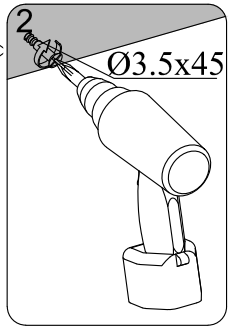
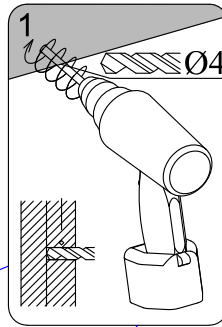
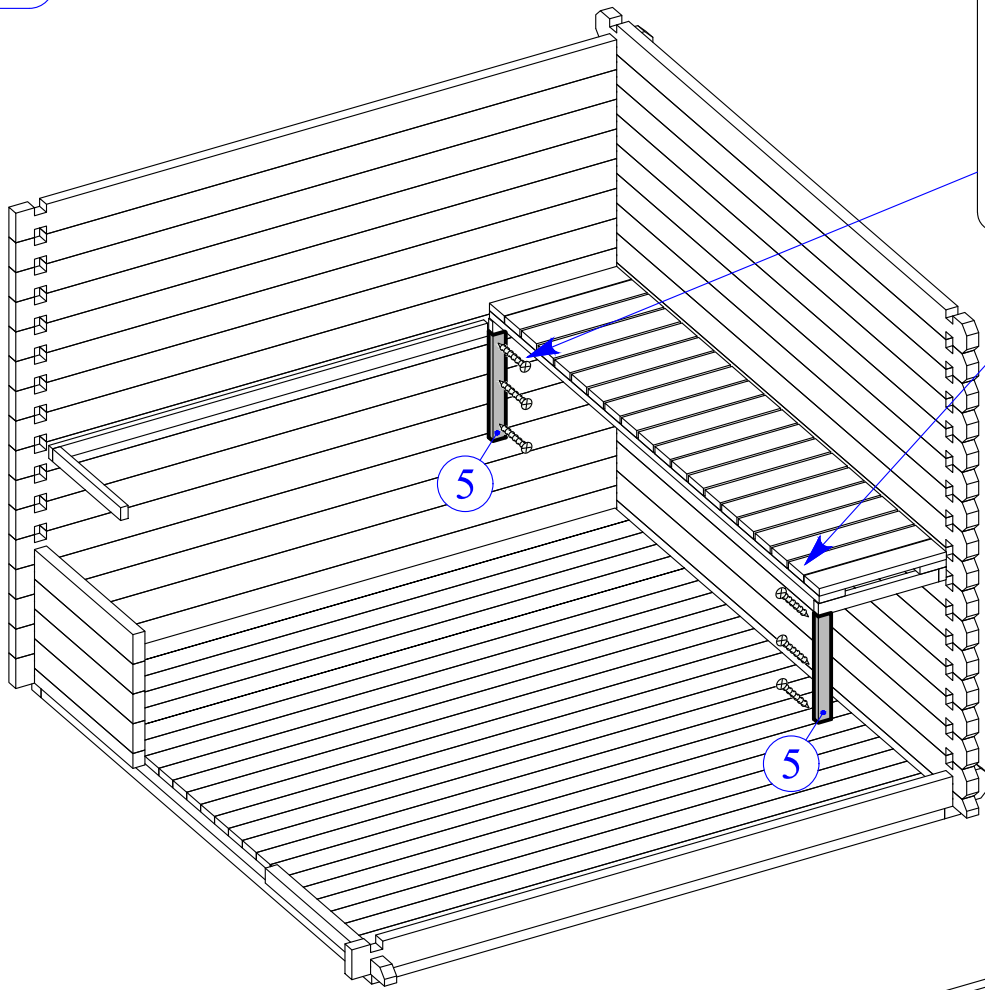
1



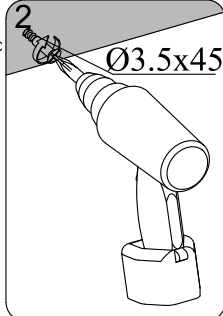
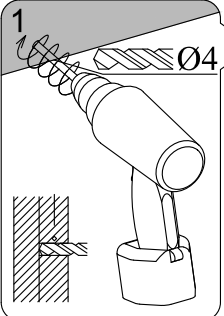
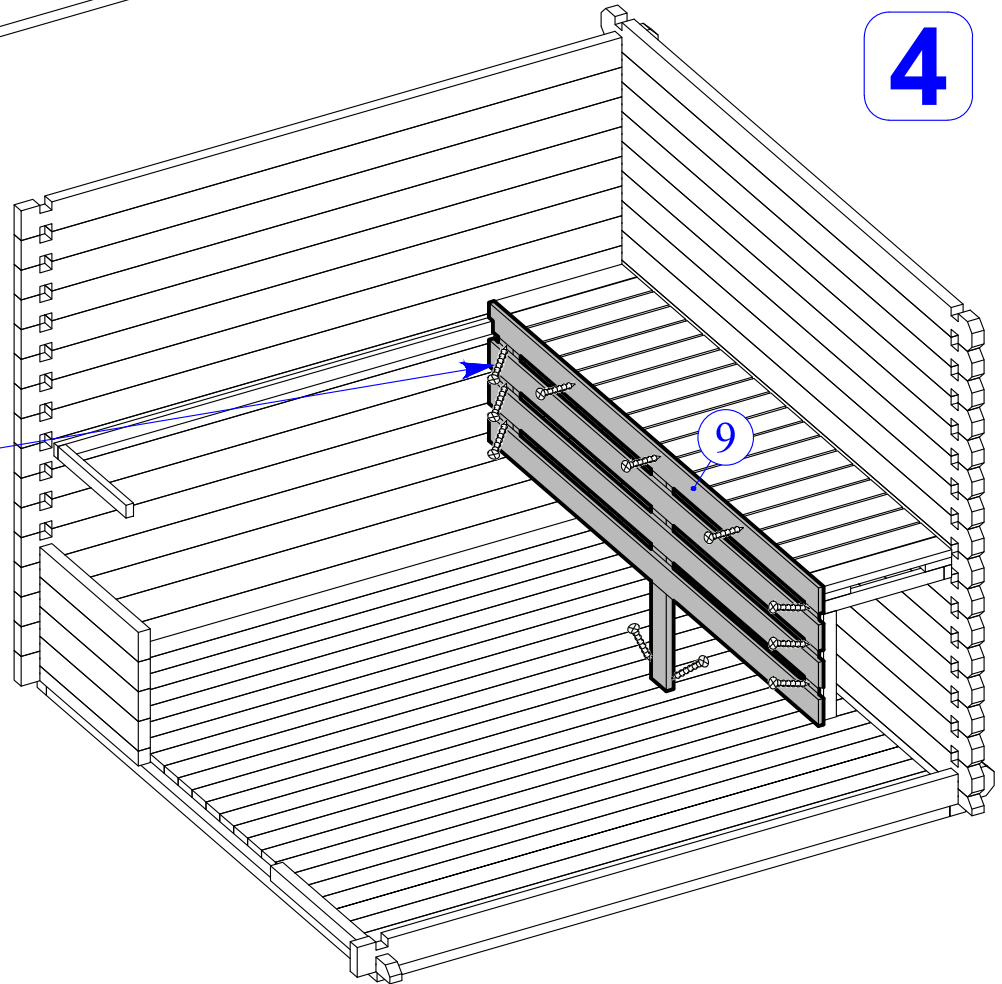
2



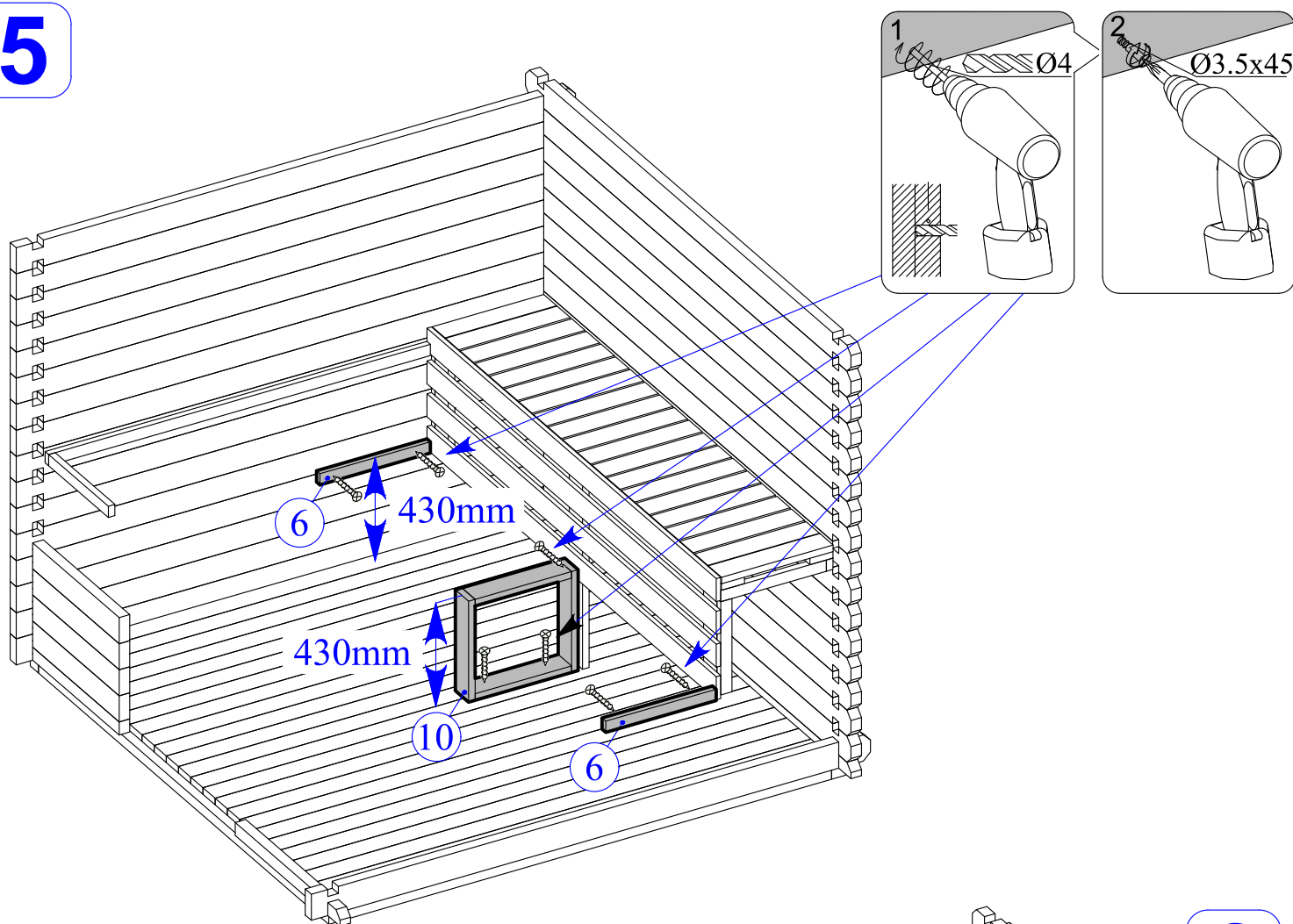
## 3



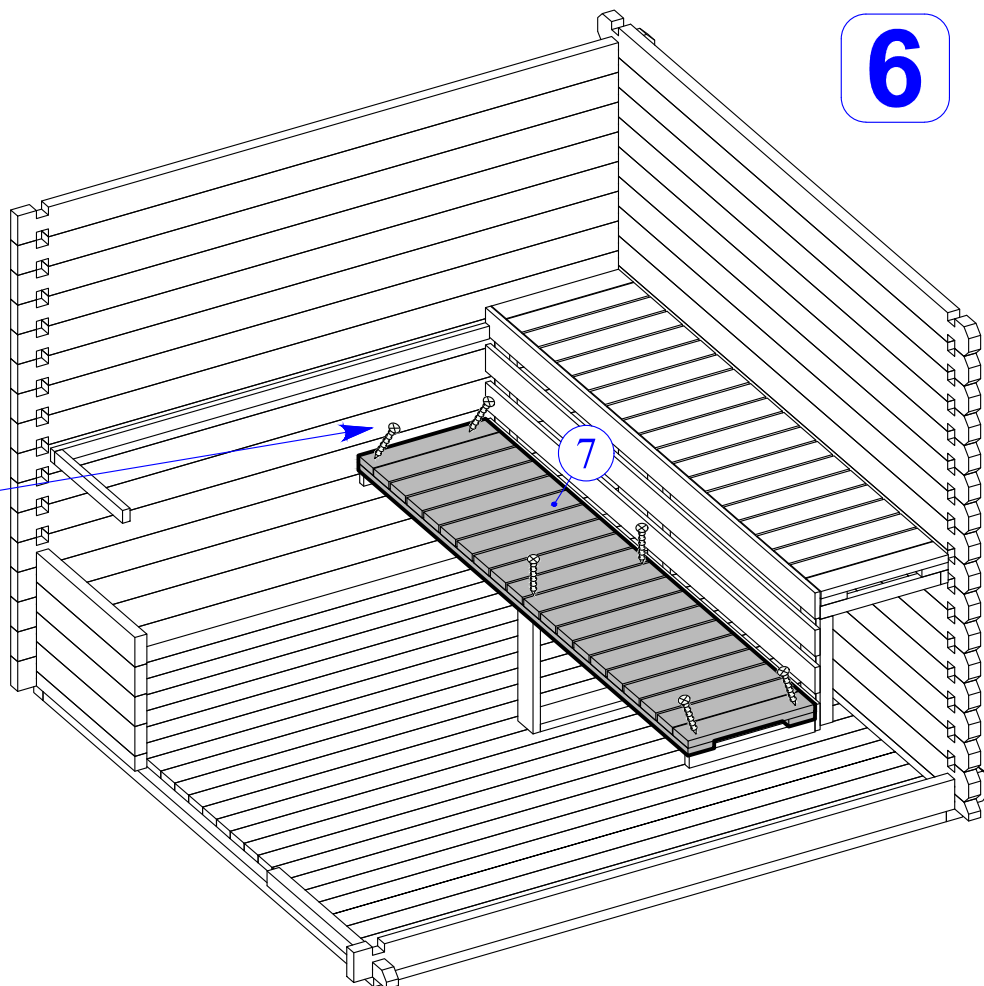
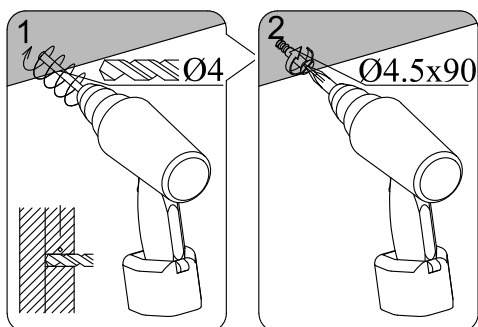
## 4



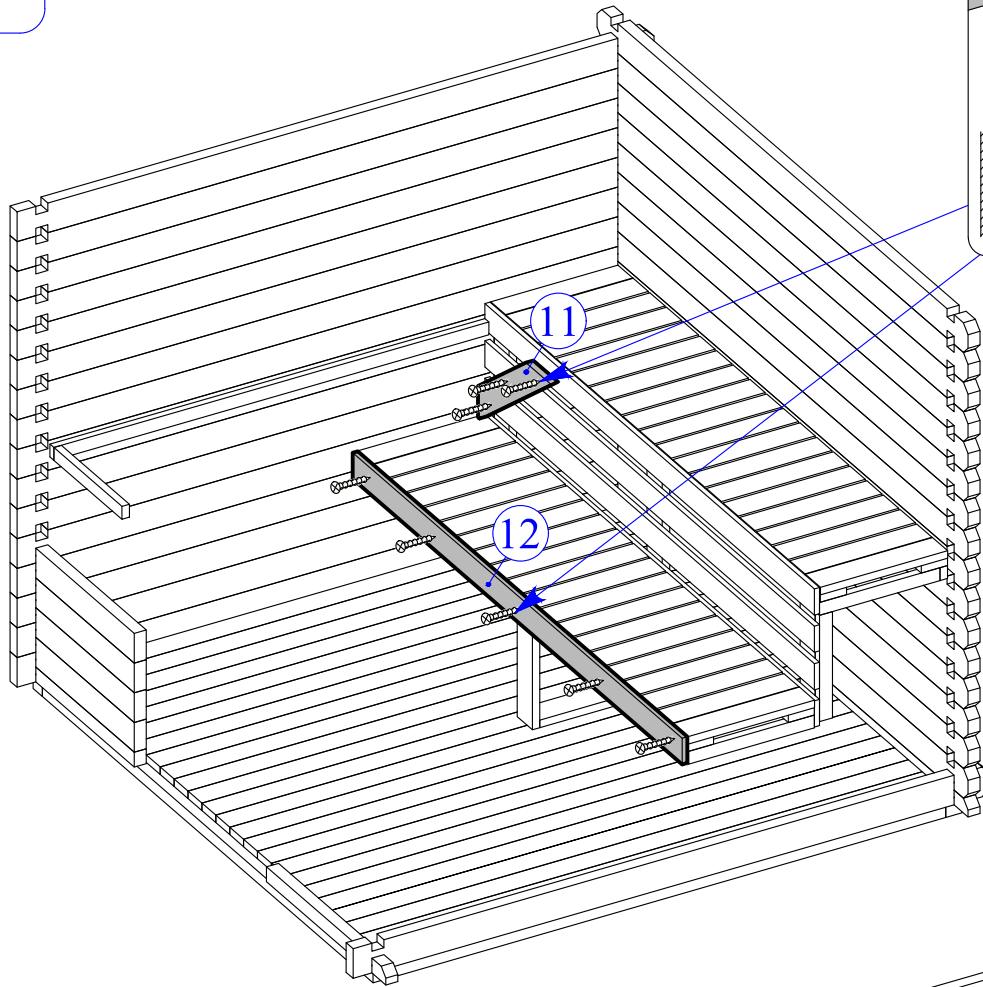
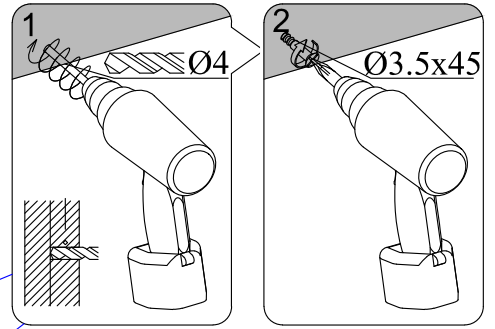
**5**



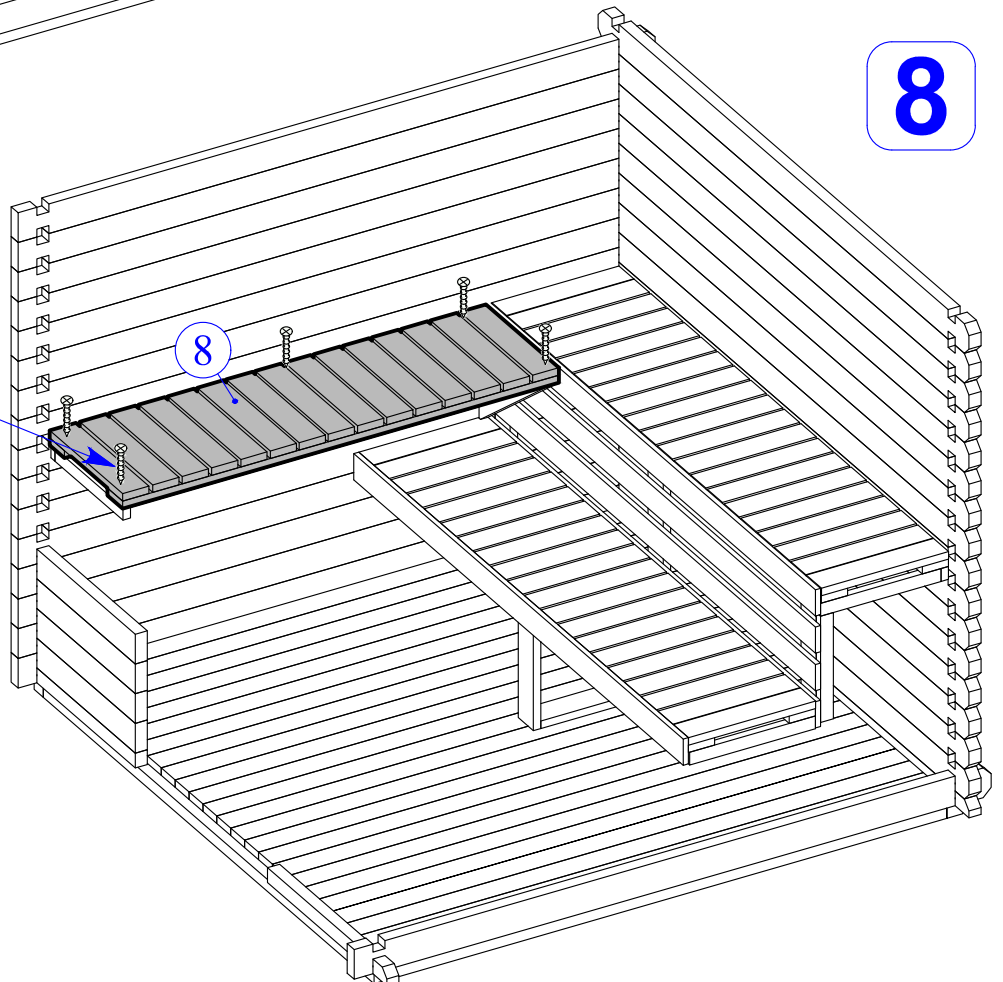
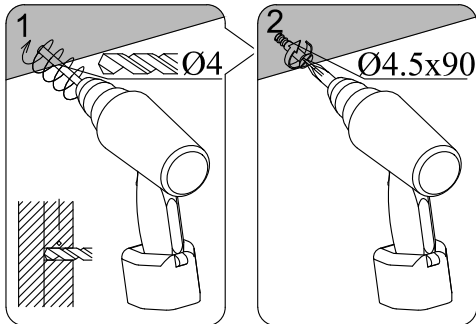
**6**



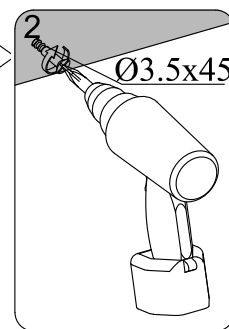
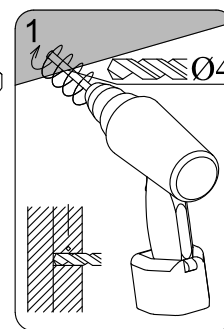
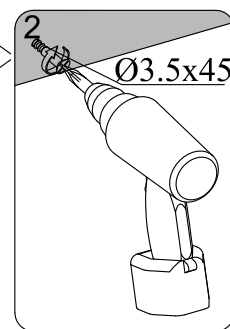
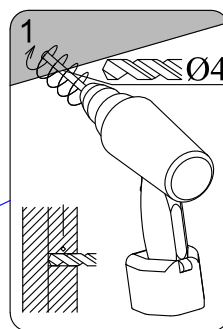
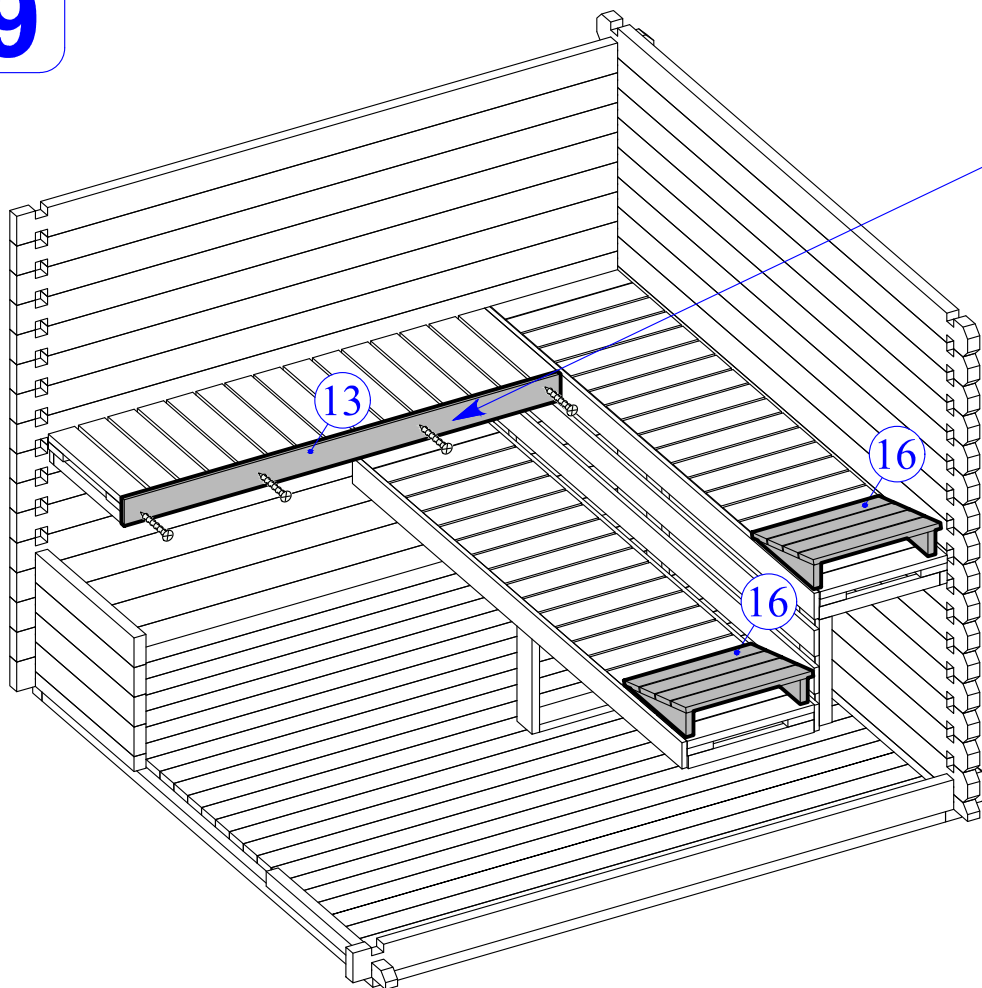
7



8



## 9



## 10

