

Sauna BARREL model 2QR

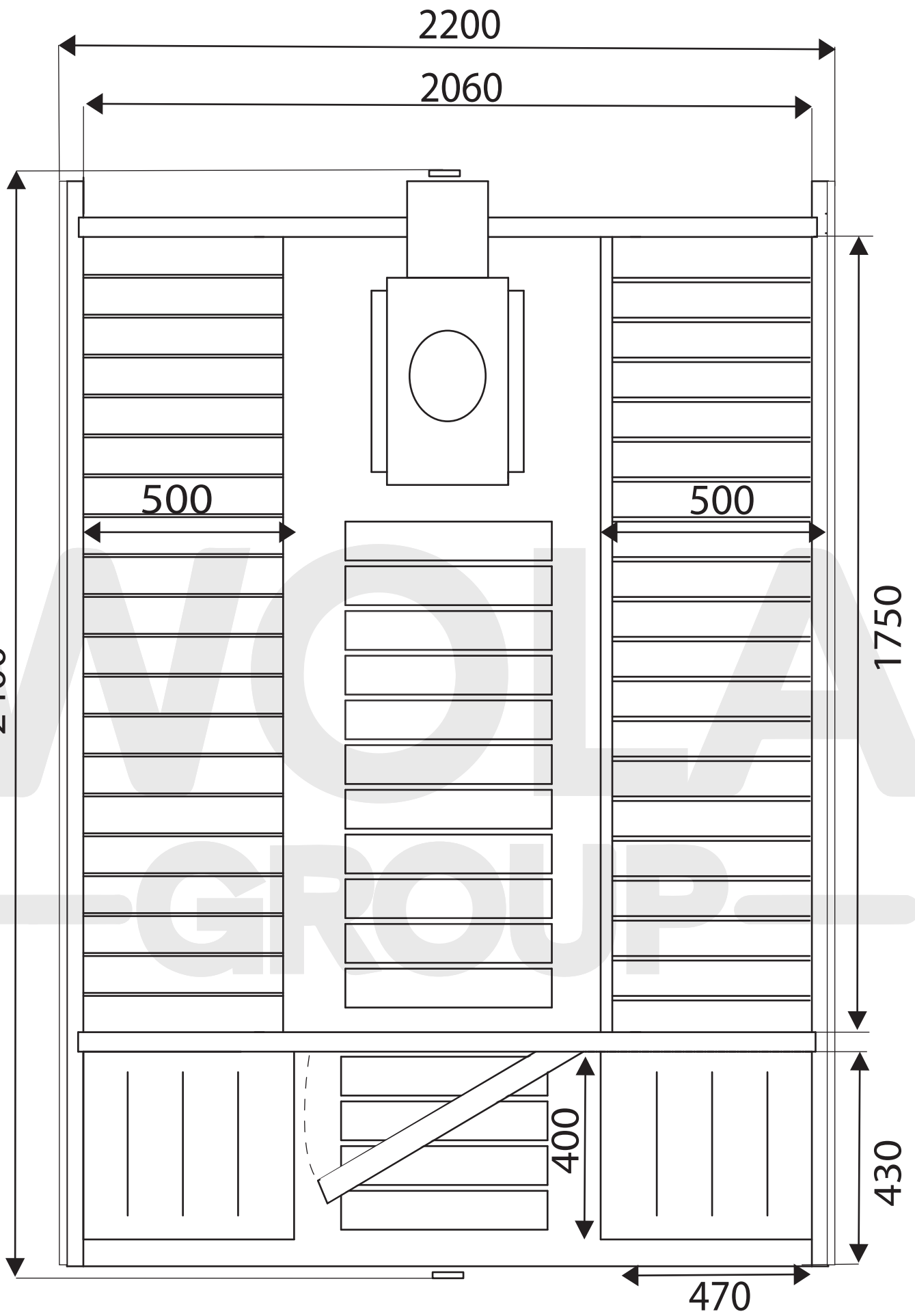
Instructions for installation



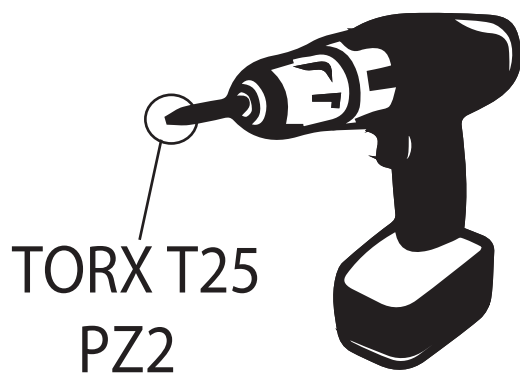
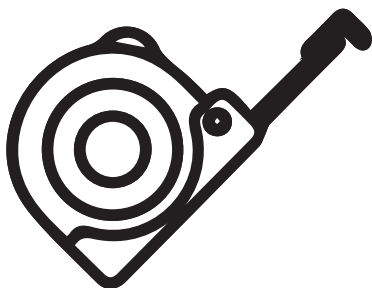
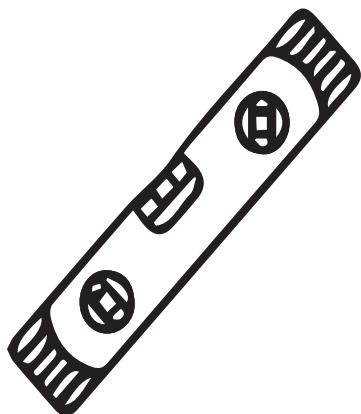
CERTIFIKAT CE



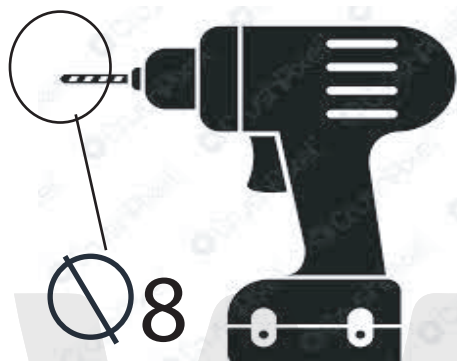
INSTRUKTION/VIDEO



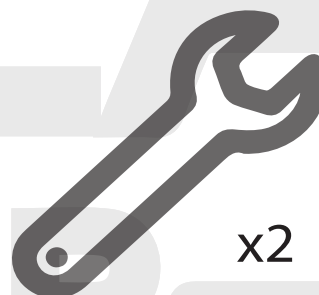
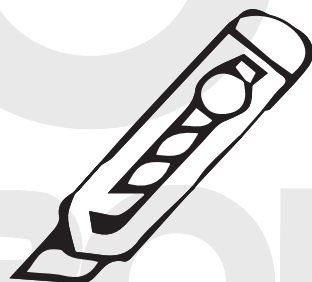
necessary tools



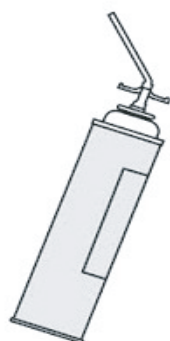
TORX T25
PZ2



8

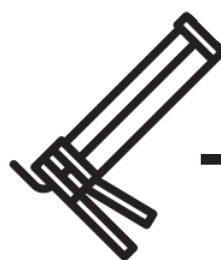


x2



impregnation

+

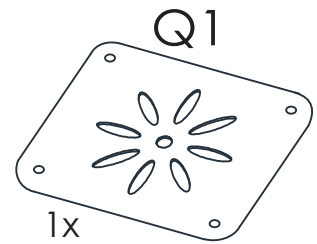
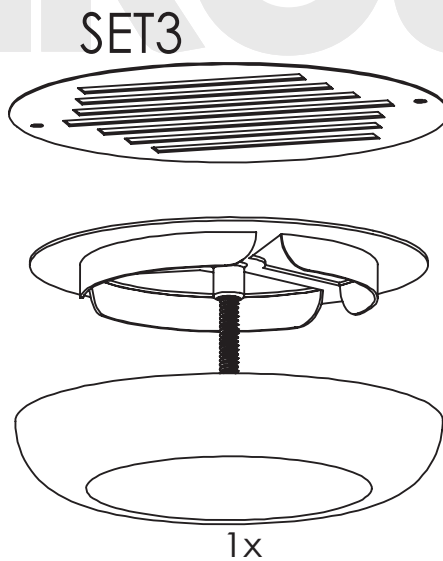
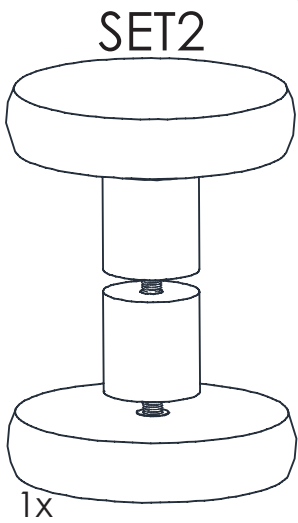
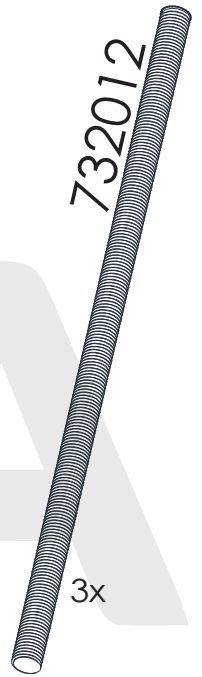
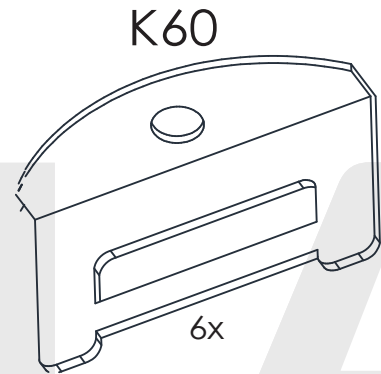
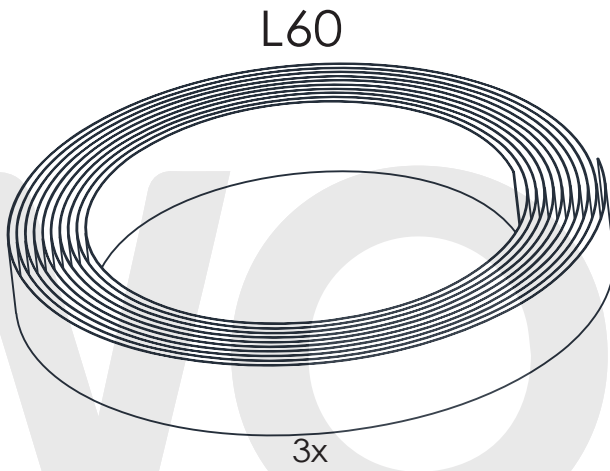
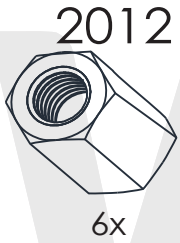
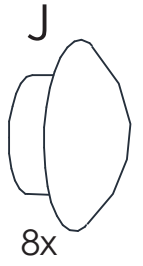


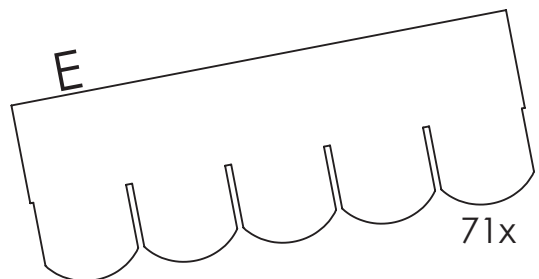
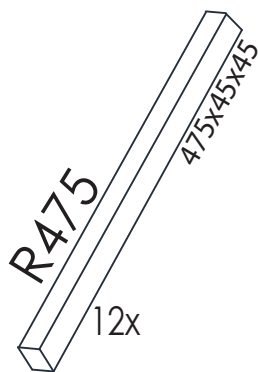
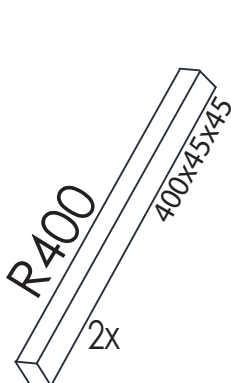
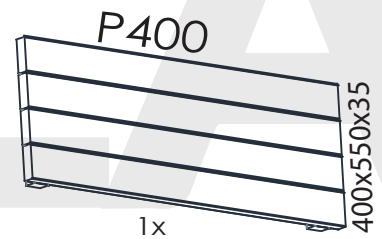
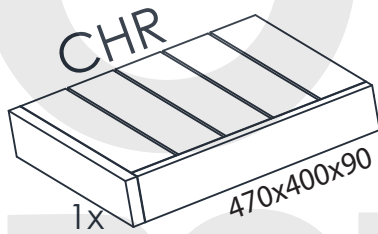
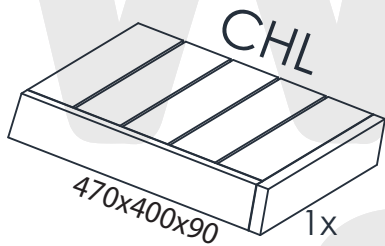
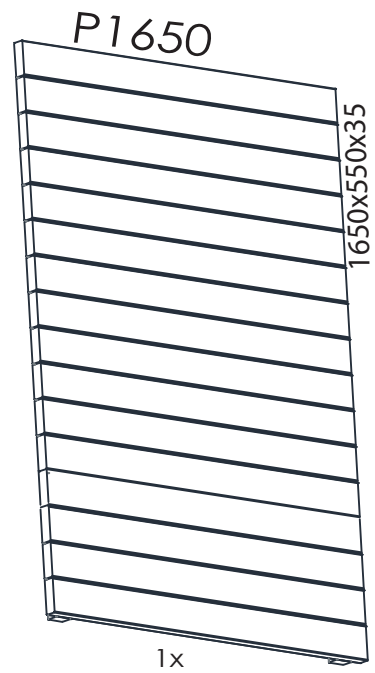
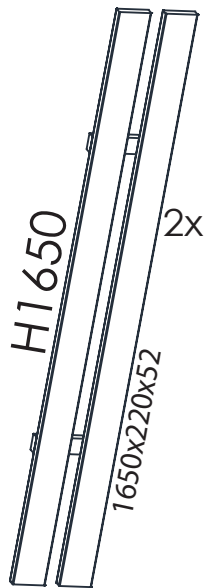
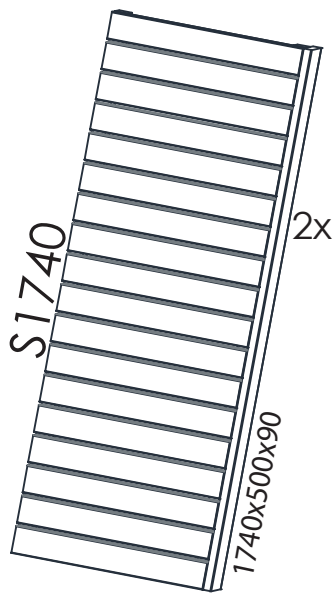
+

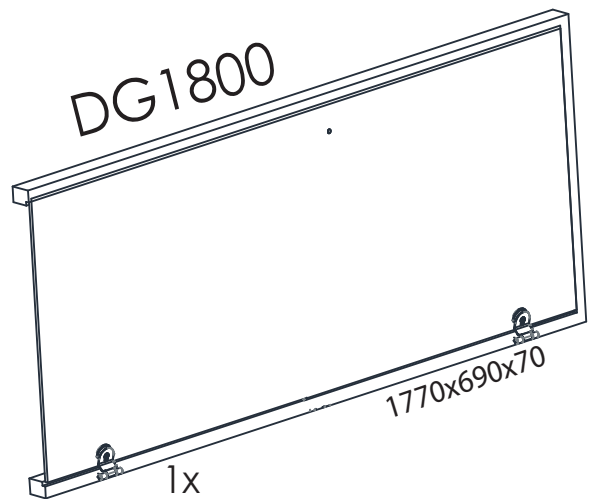
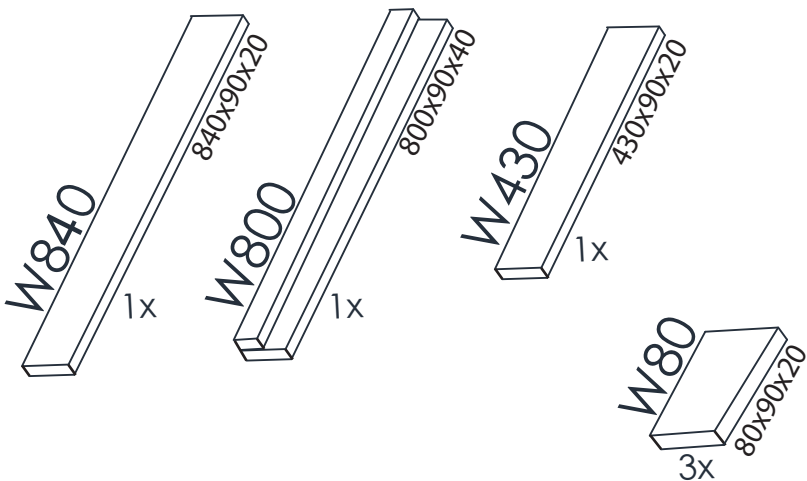
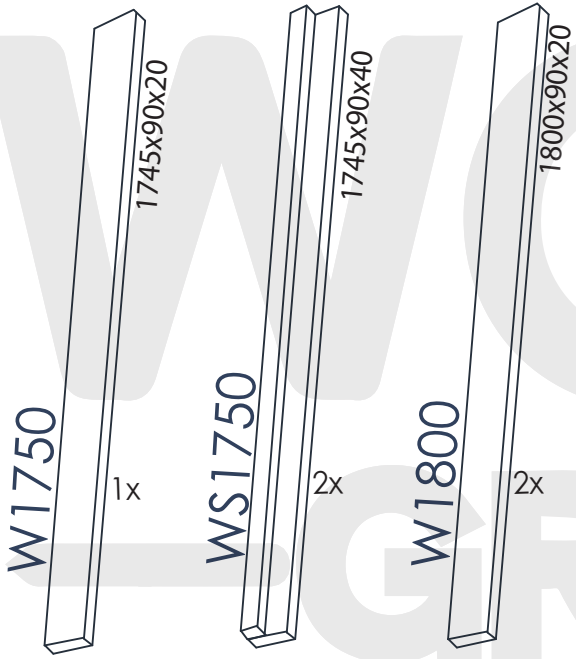
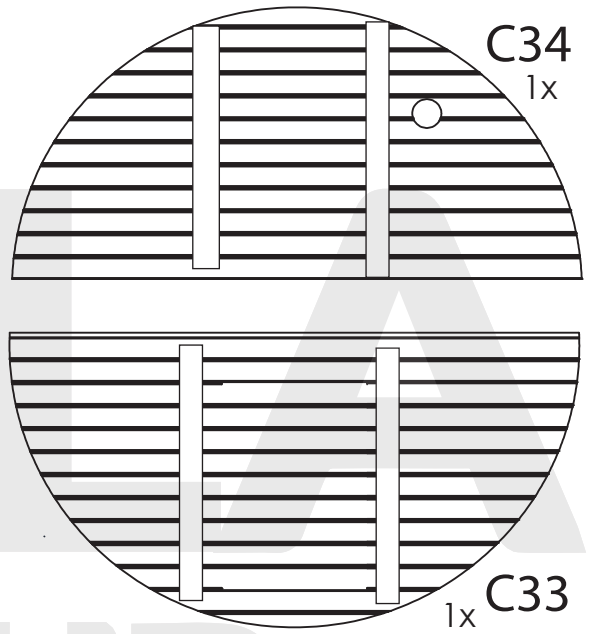
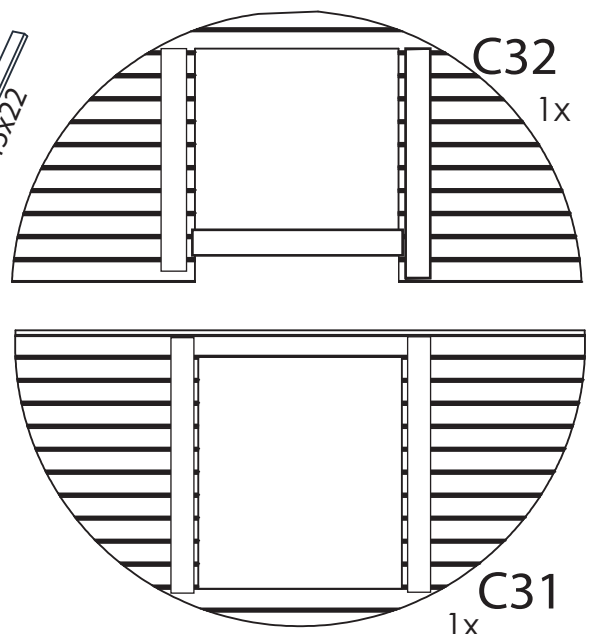
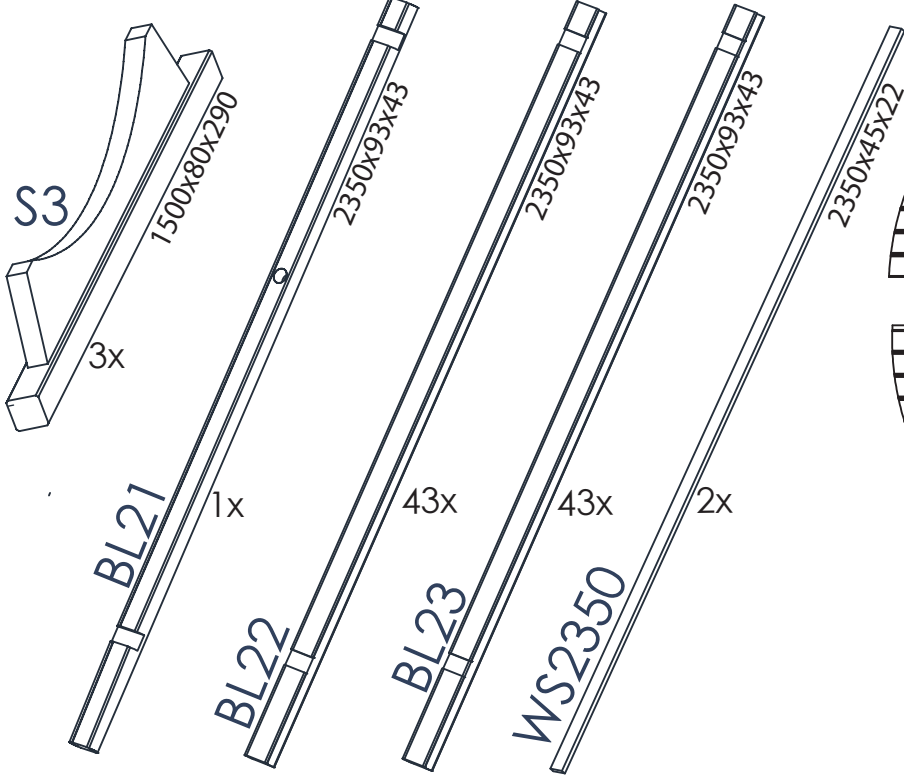


bituminous
sealant

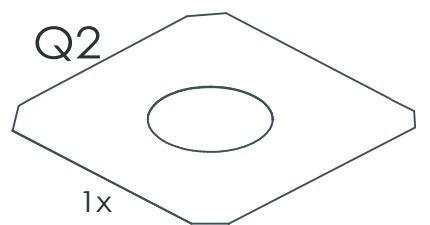
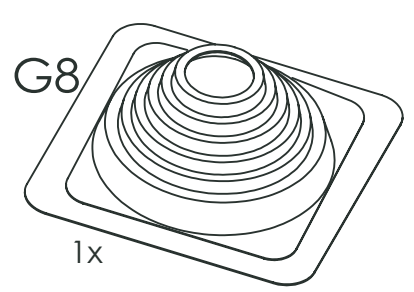
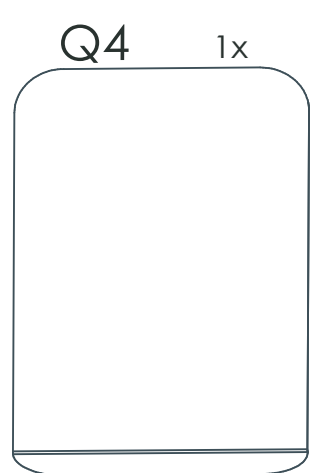
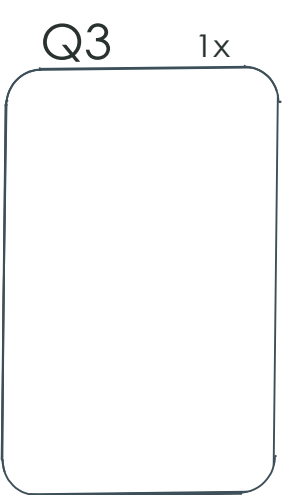
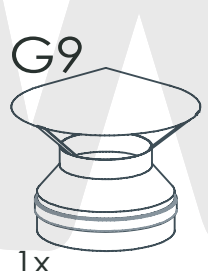
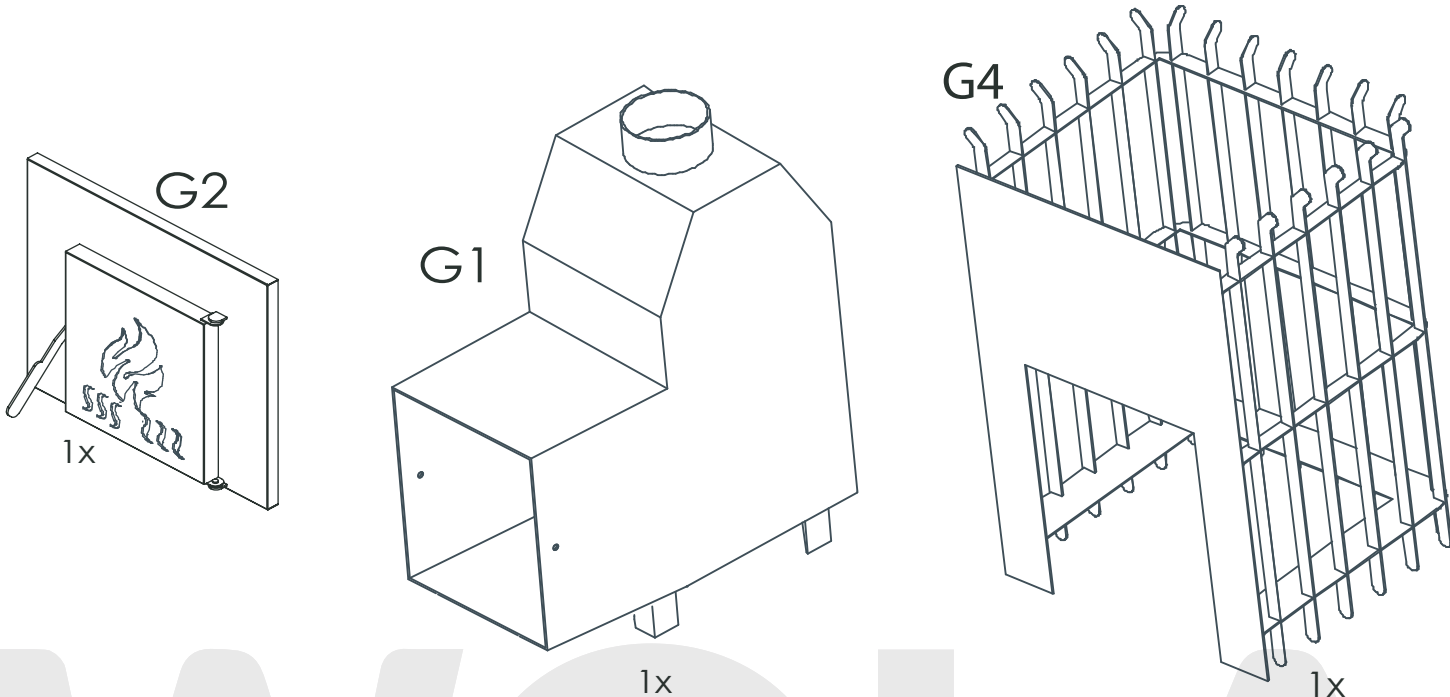
NOT INCLUDED!



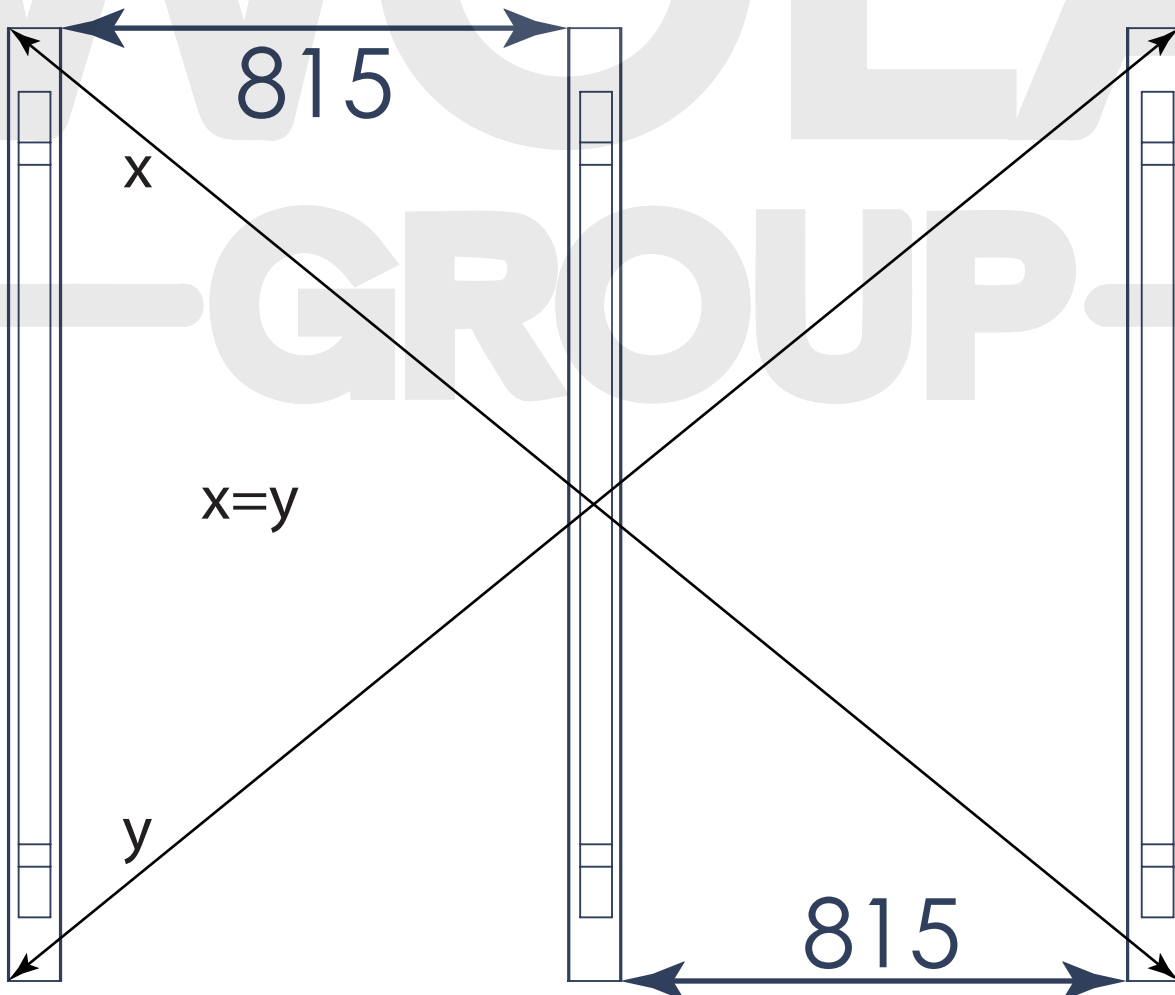
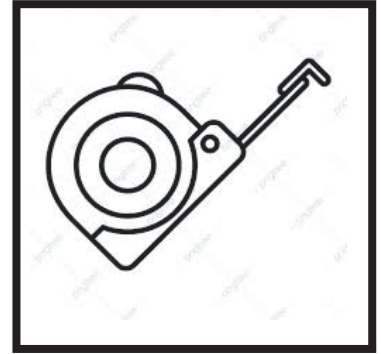
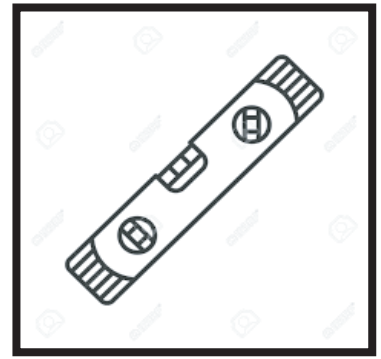
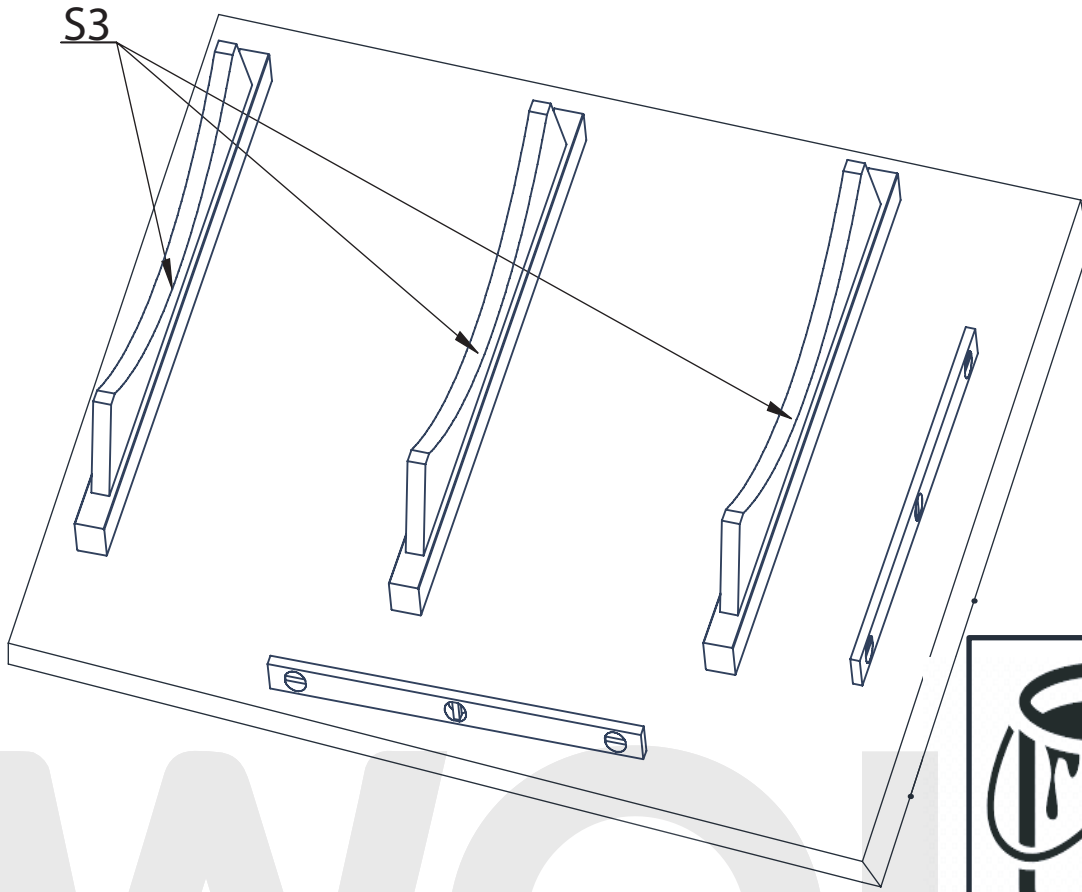




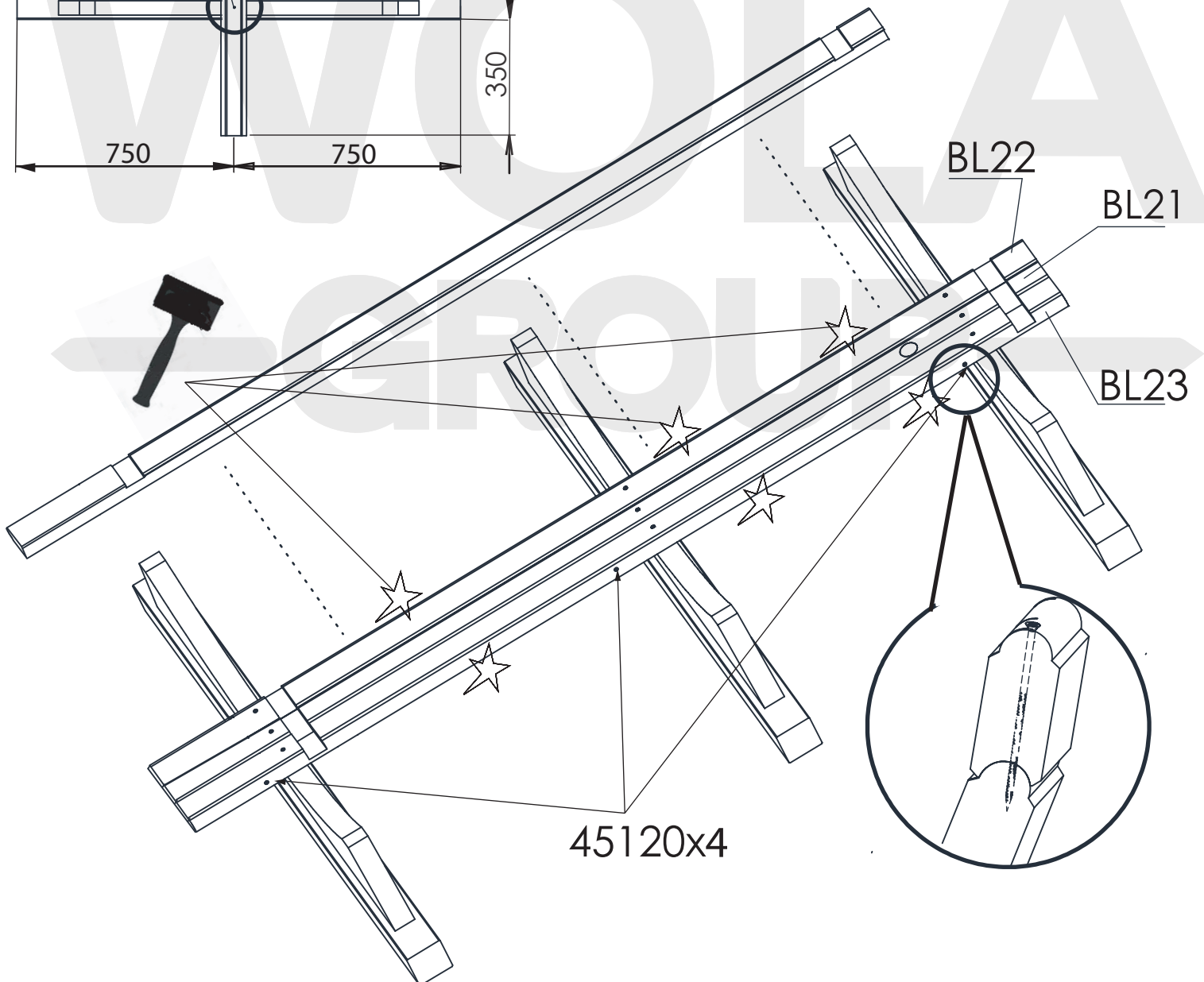
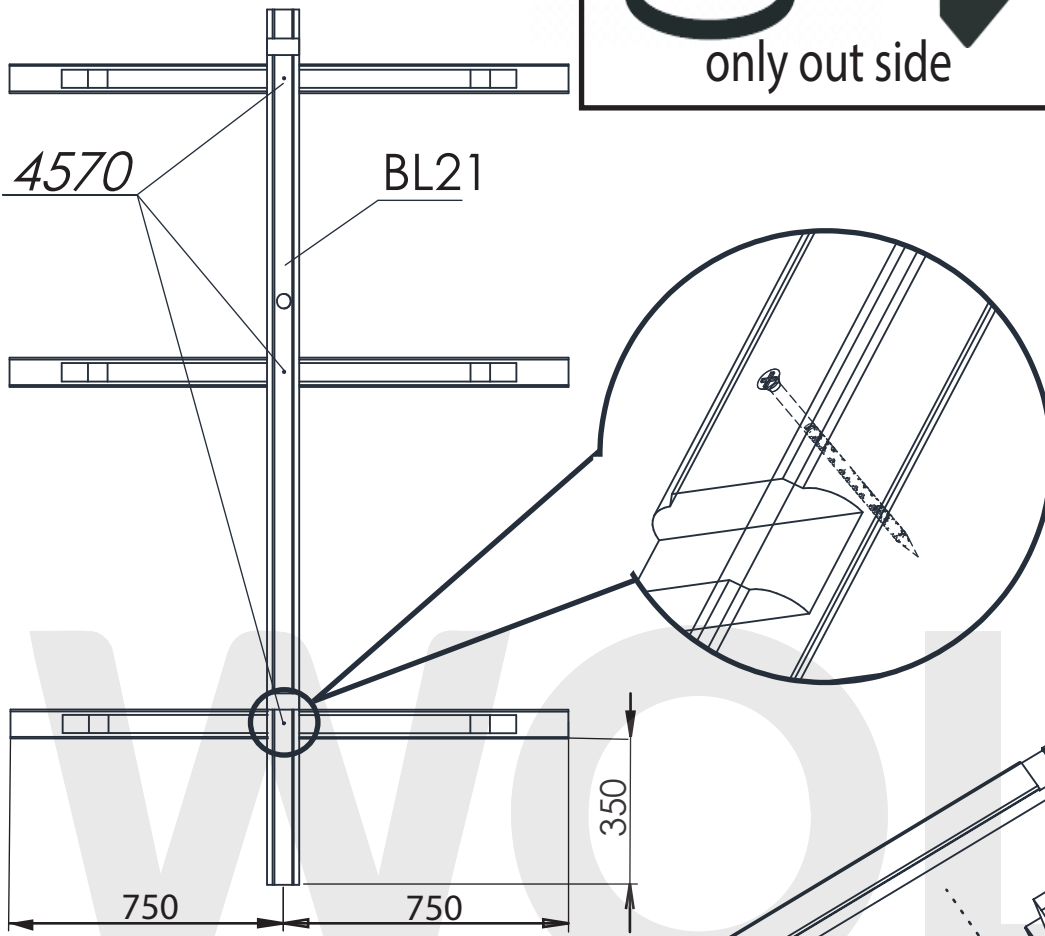
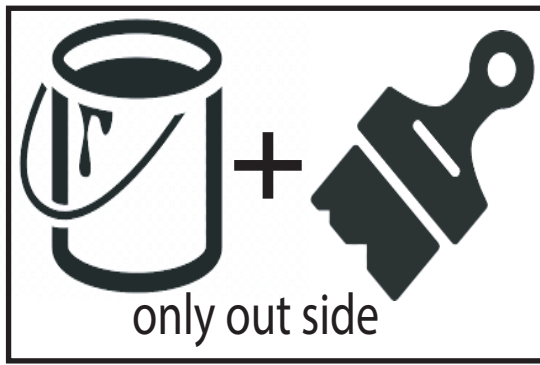
A SET FOR INSTALLING WOOD-BURNING STOVE (NOT INCLUDED).
PURCHASED SEPARATELY

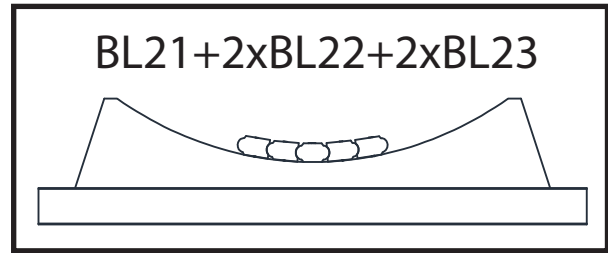
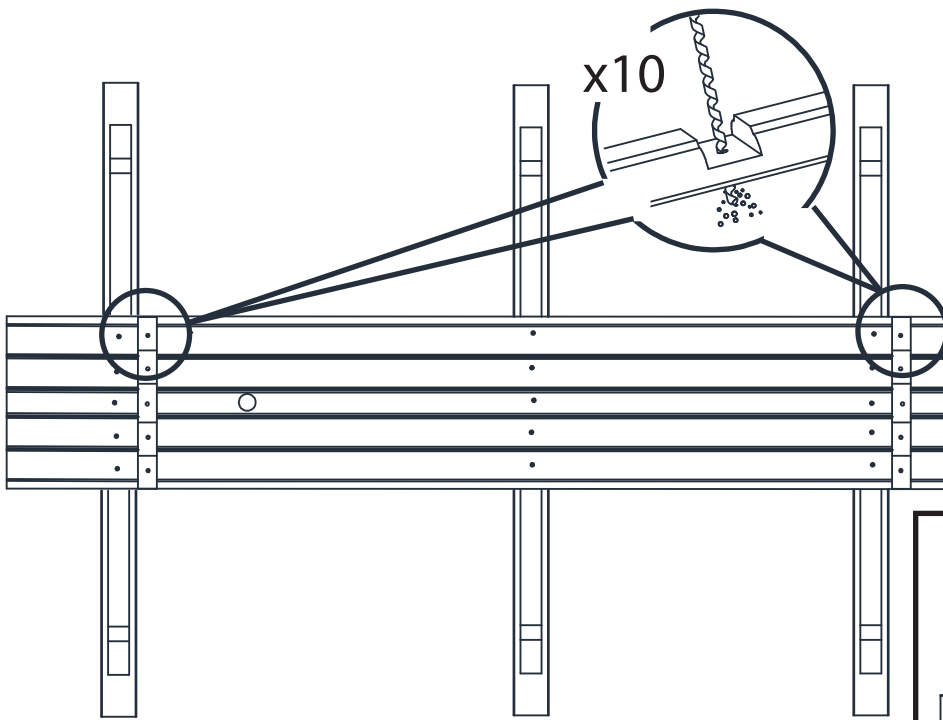


S3 - 3

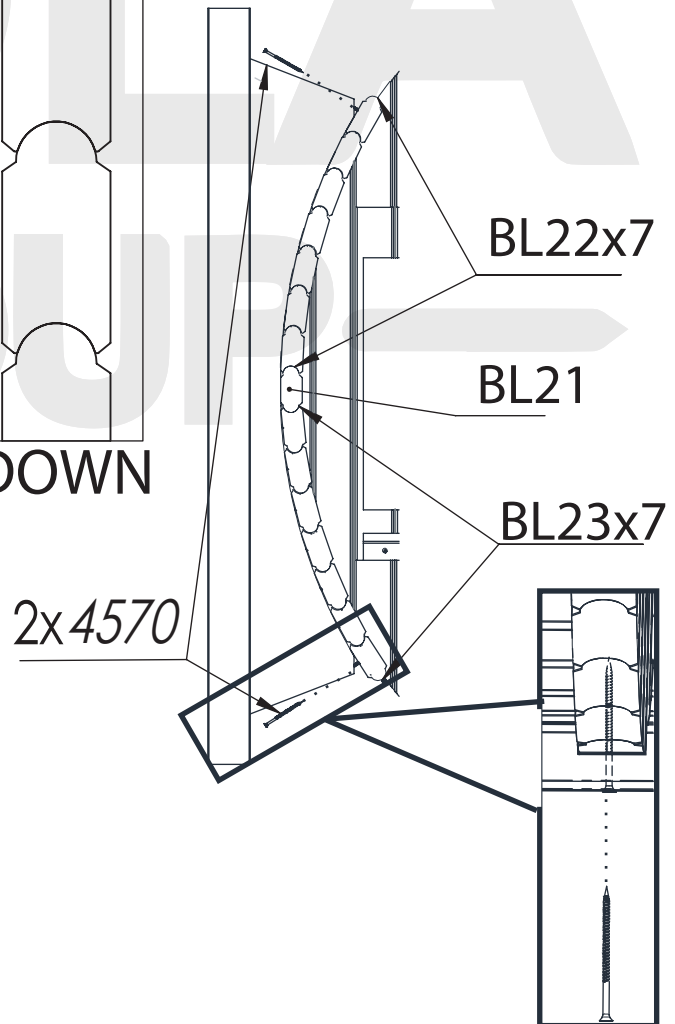
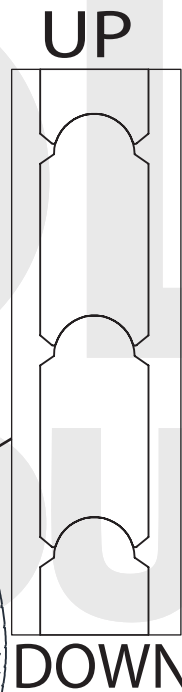
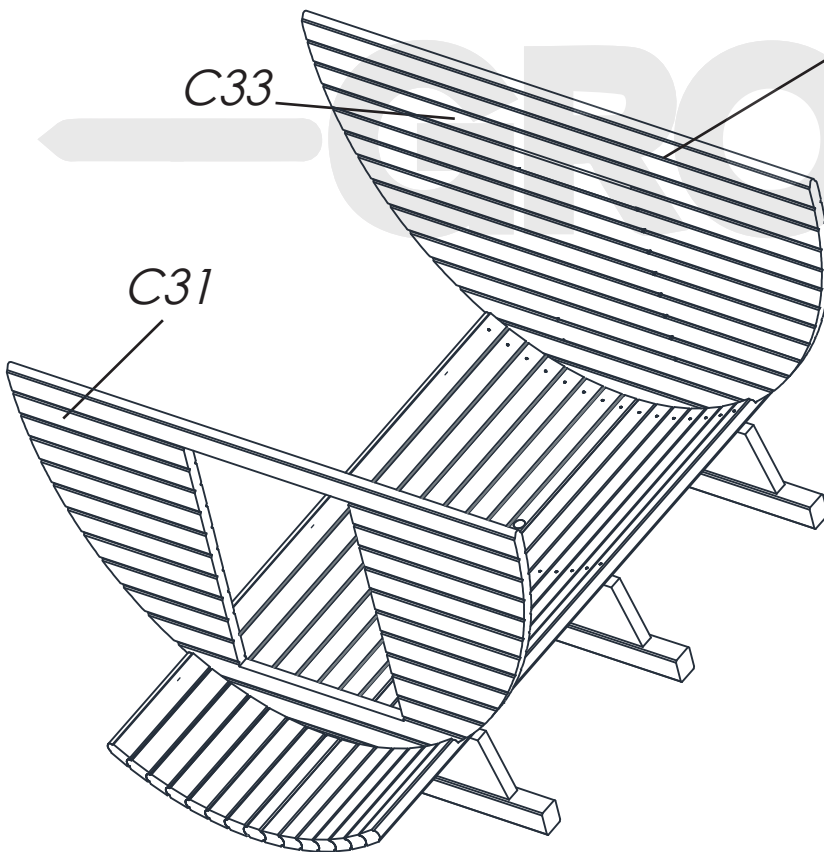


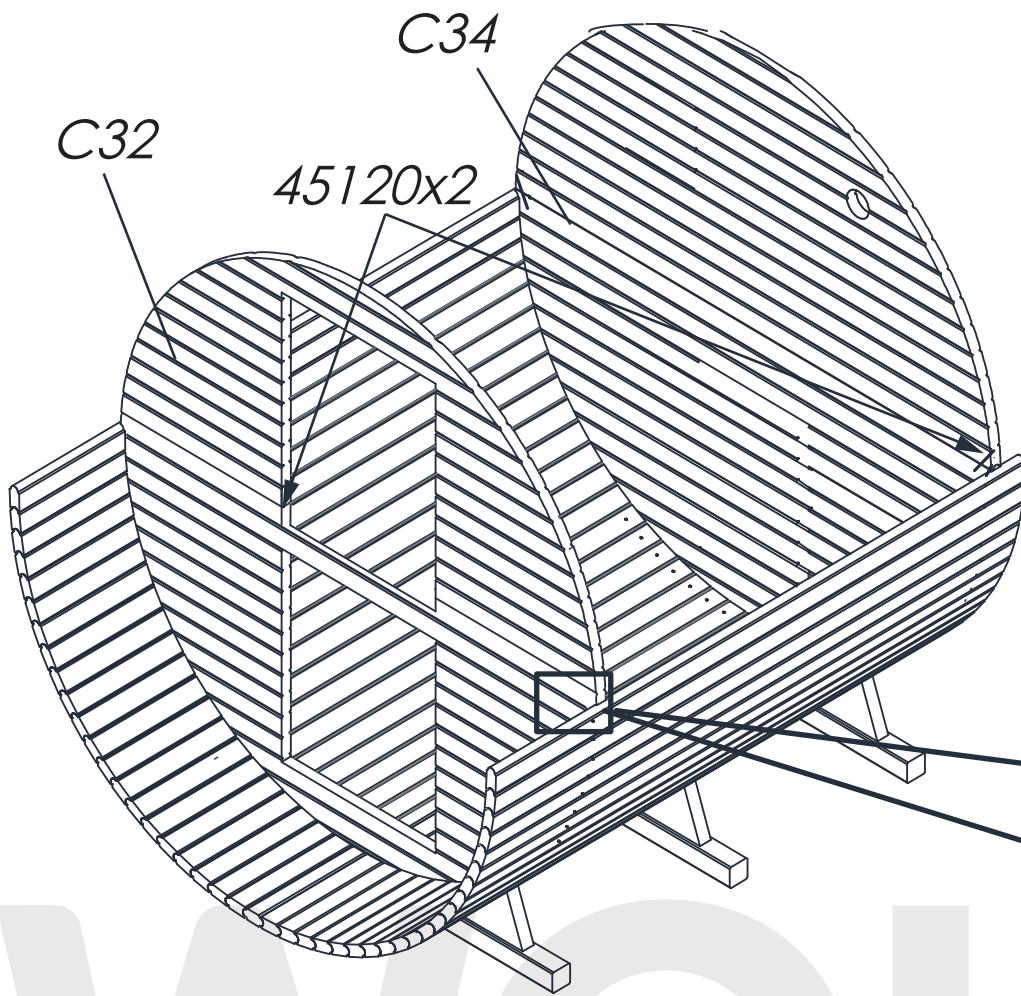
BL21 - 1 | 4570 - 15
BL22 - 2 | 45120 - 16
BL23 - 2 |



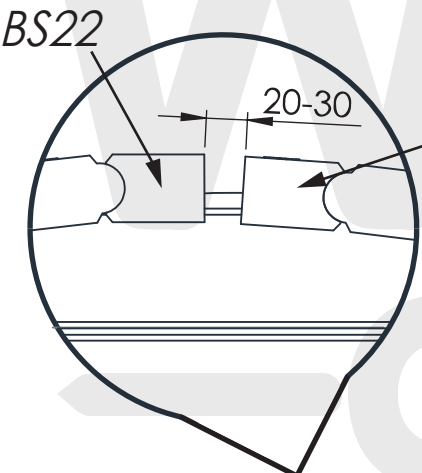
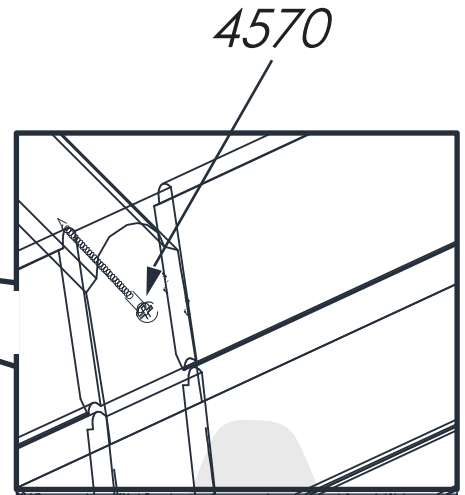


- BL22 - 5
- BL23 - 5
- C31 - 1
- C33 - 1
- 4570 - 34
- 45120 - 40

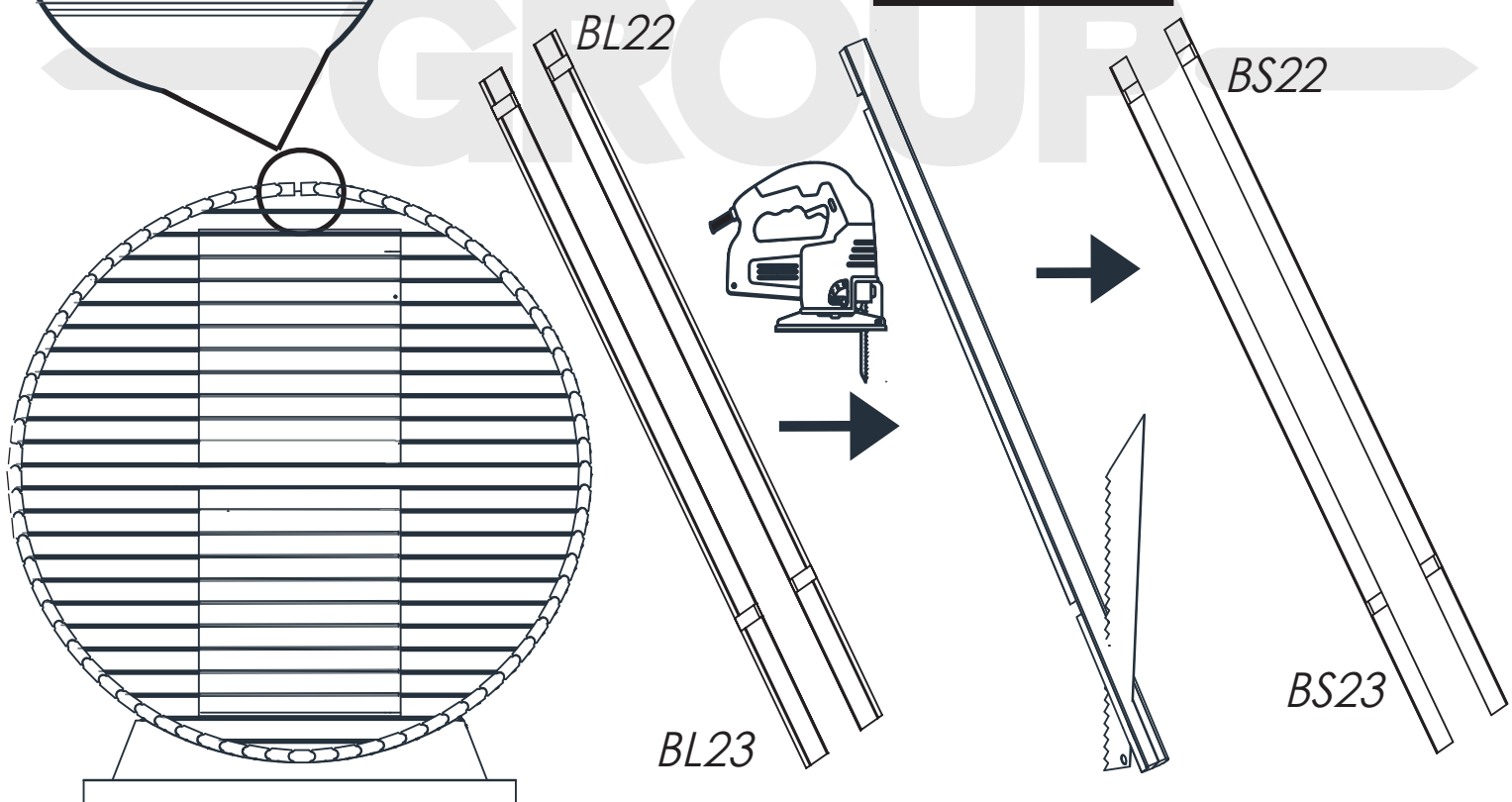


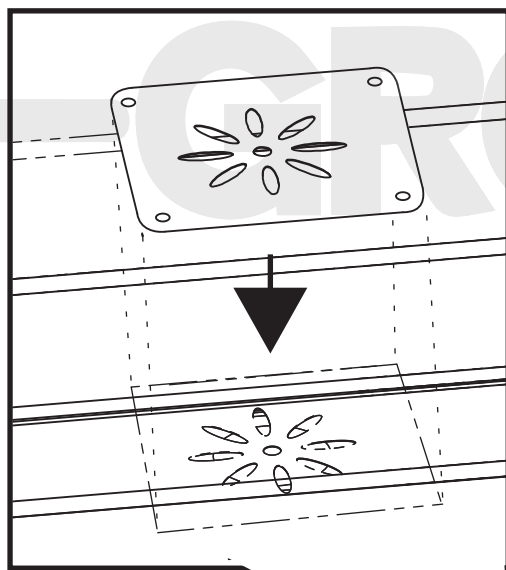
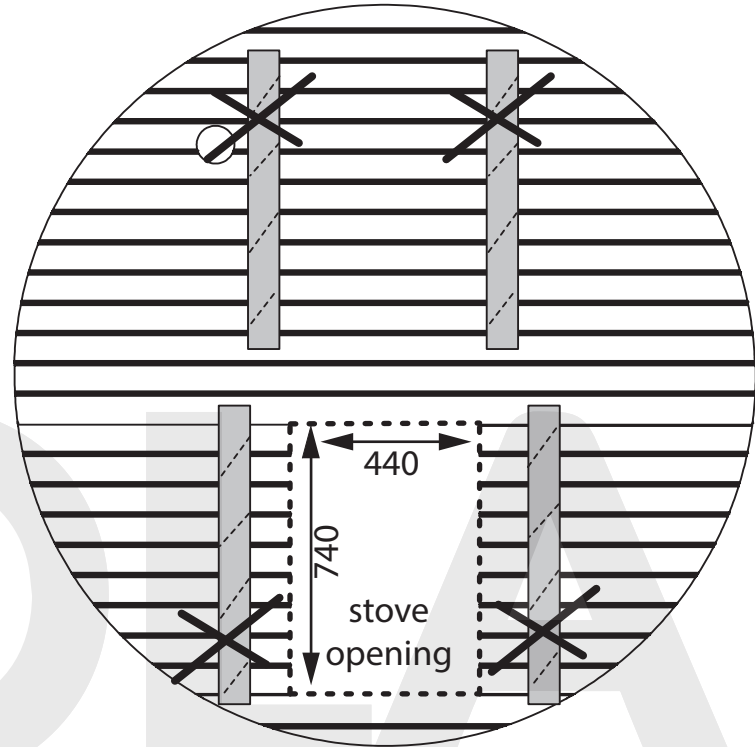
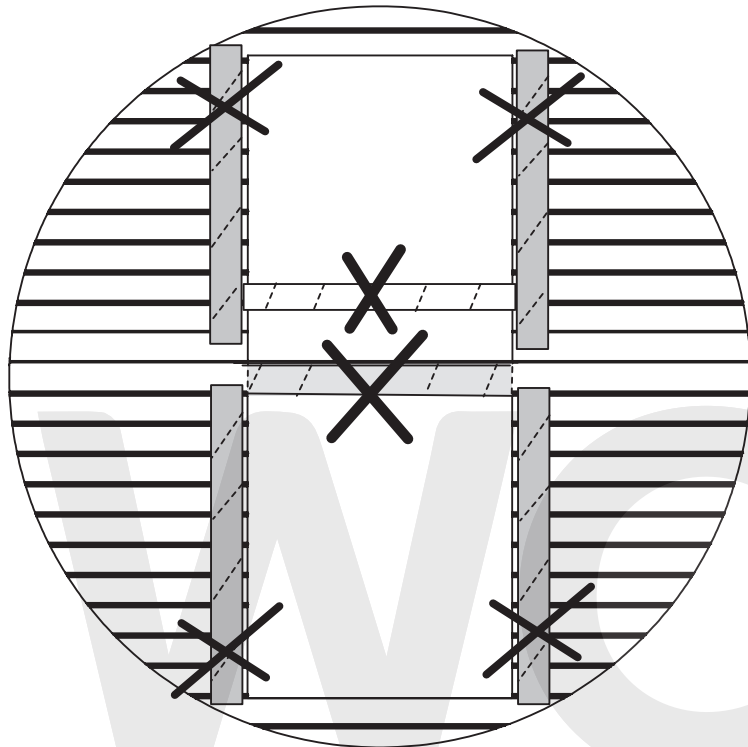
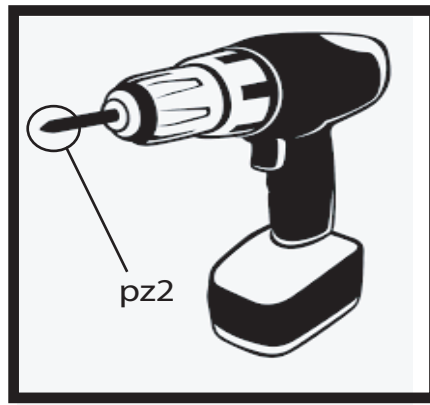


C32- 1
 C34- 1
 BL22 - 14
 BL23 - 14
 4570 - 56
 45120 - 112

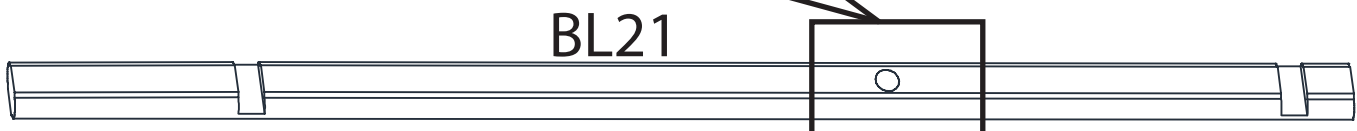


BL22 - 20
 BL23 - 20
 4570 - 80
 45120 - 160

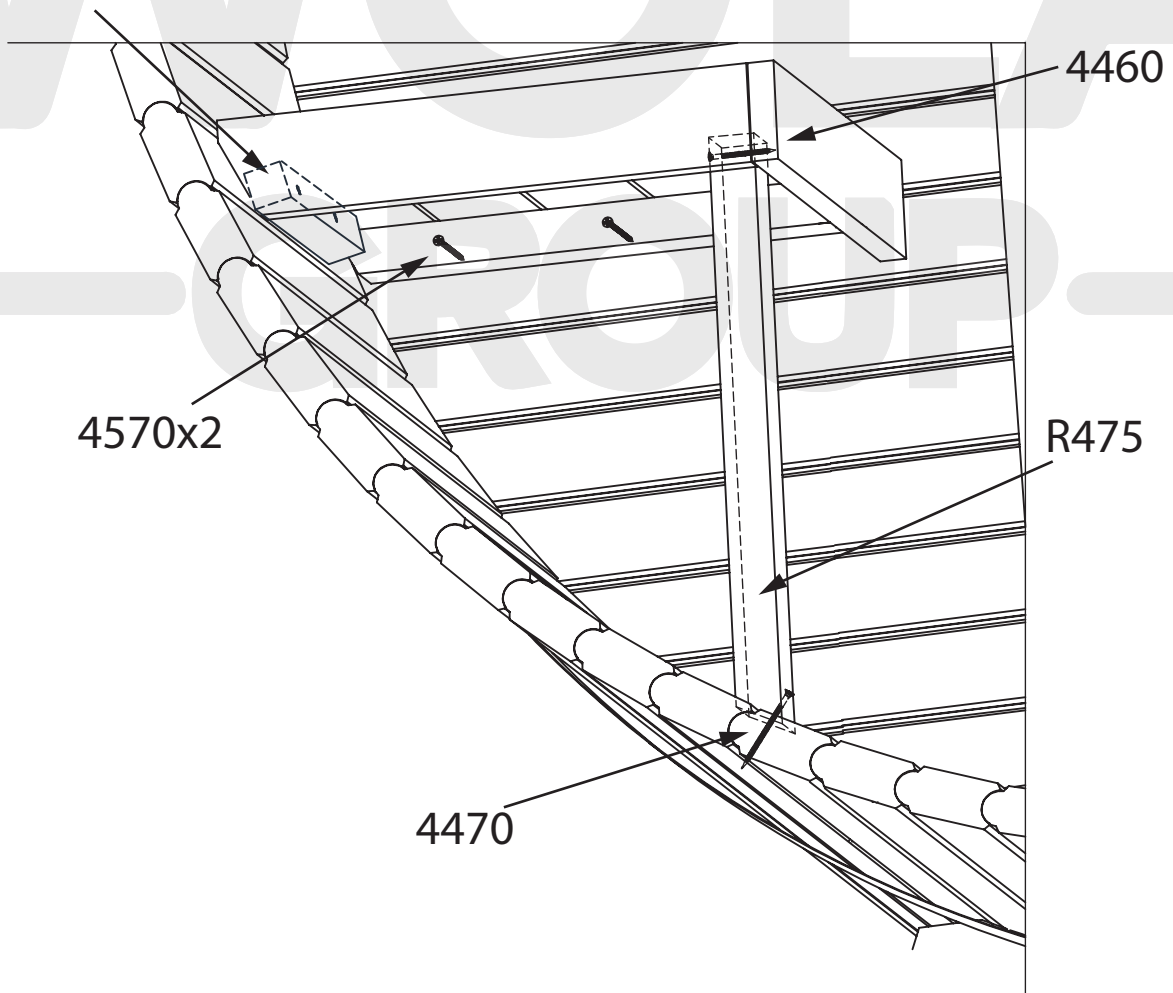
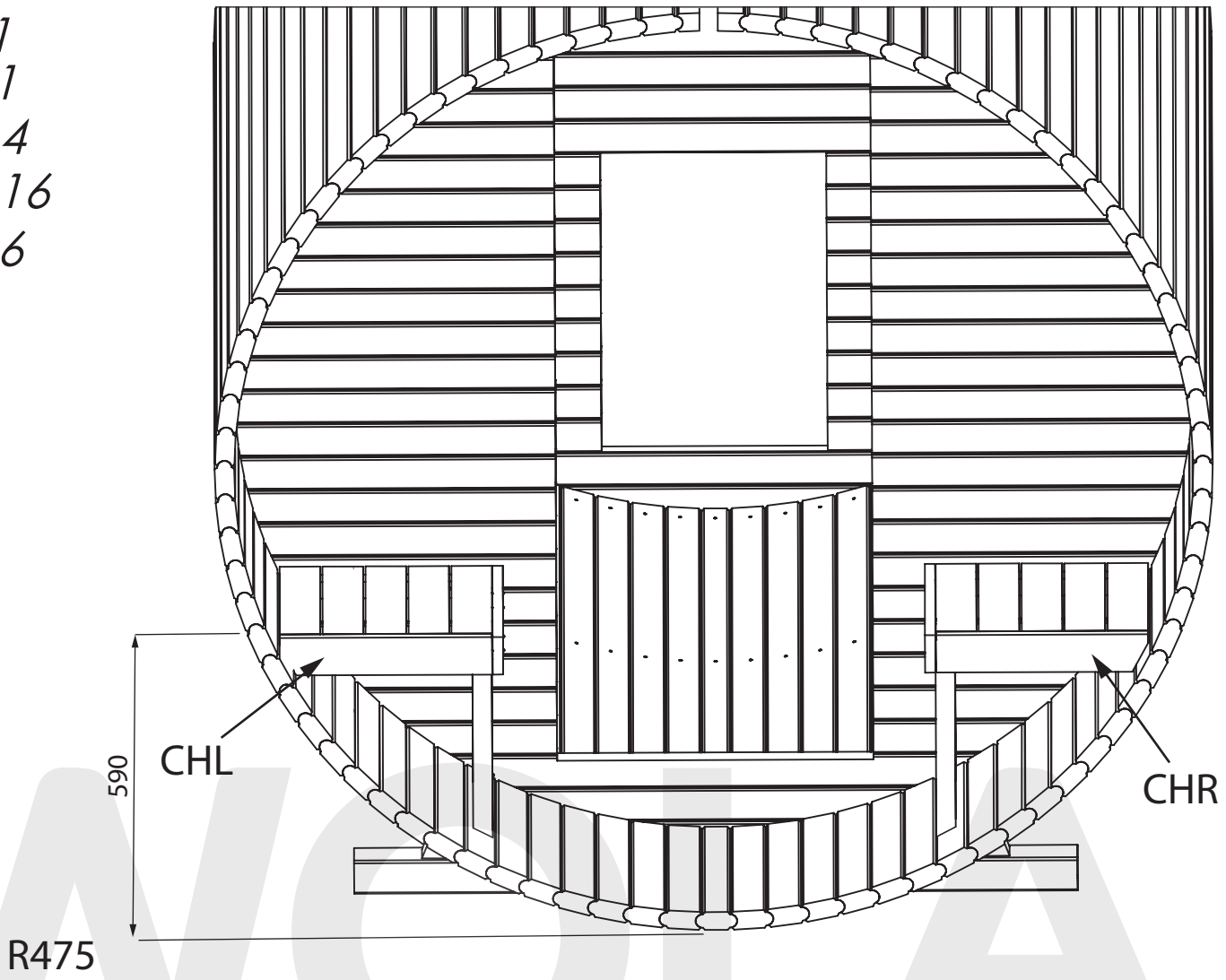




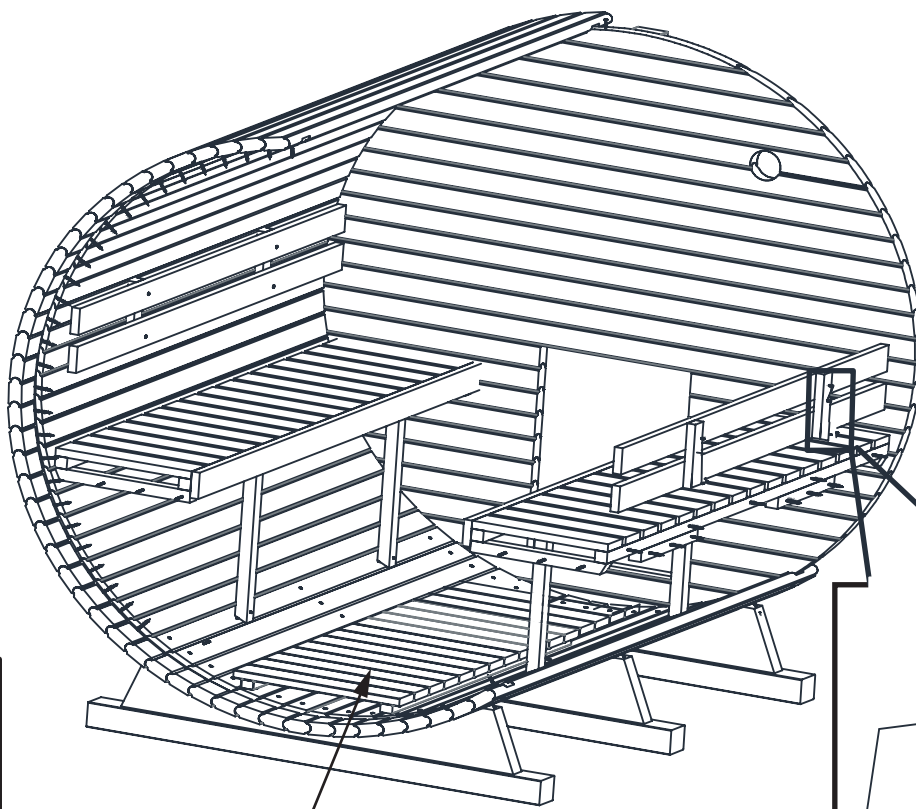
Q1 - 1
4345 - 4



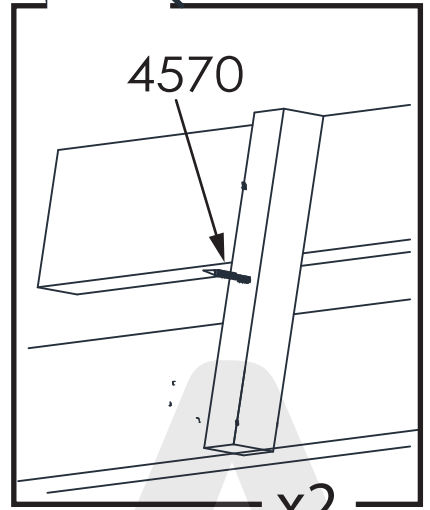
CHL - 1
CHR - 1
R475 - 4
4570 - 16
4460 - 6



H1650 - 2
S1740 - 2
R475 - 12
4570 - 36

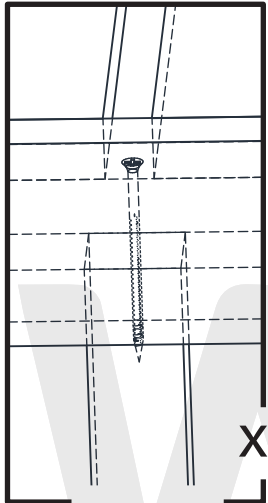


P1650



4570

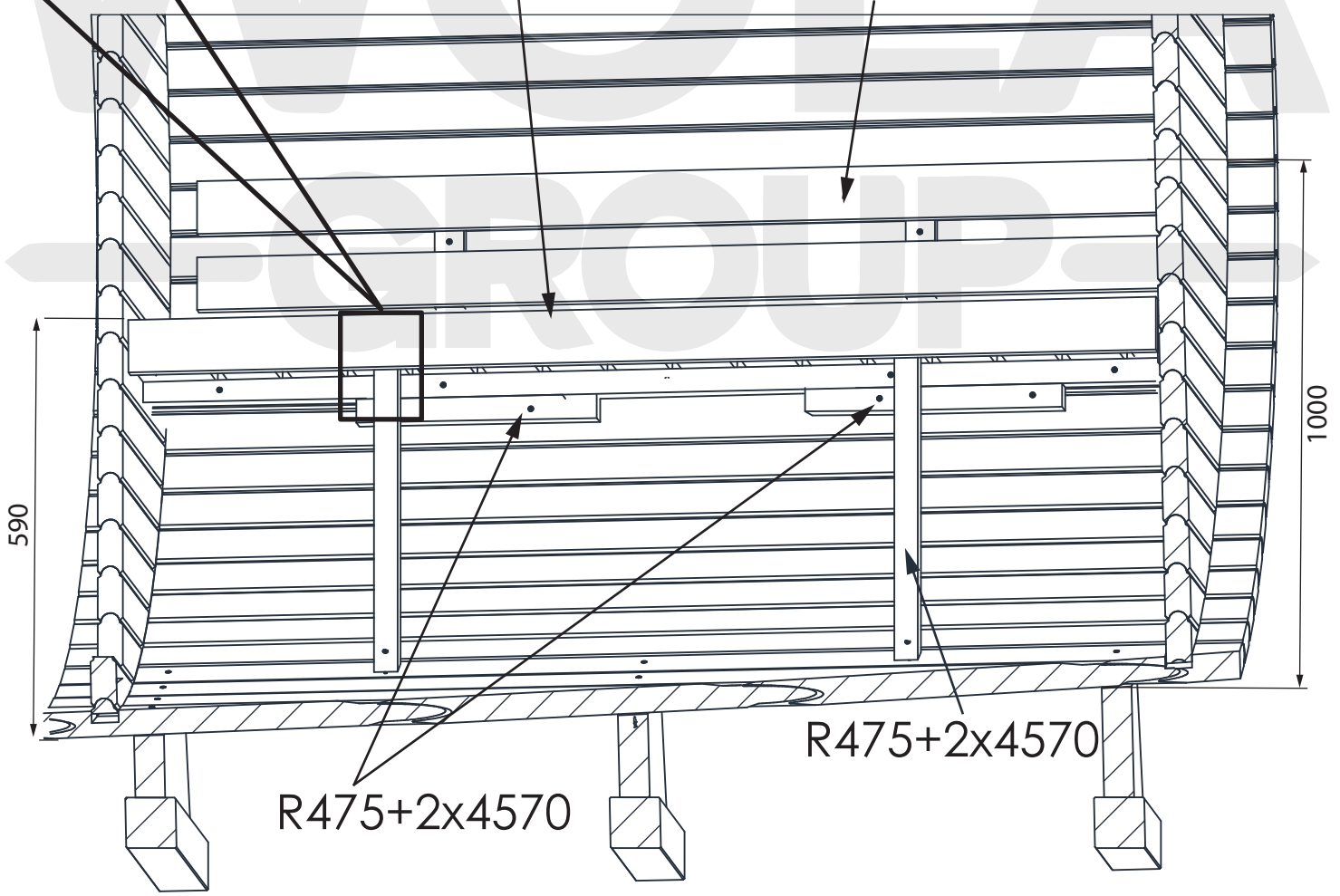
x2



x2

S1740+4x4570

H1650+2x4570

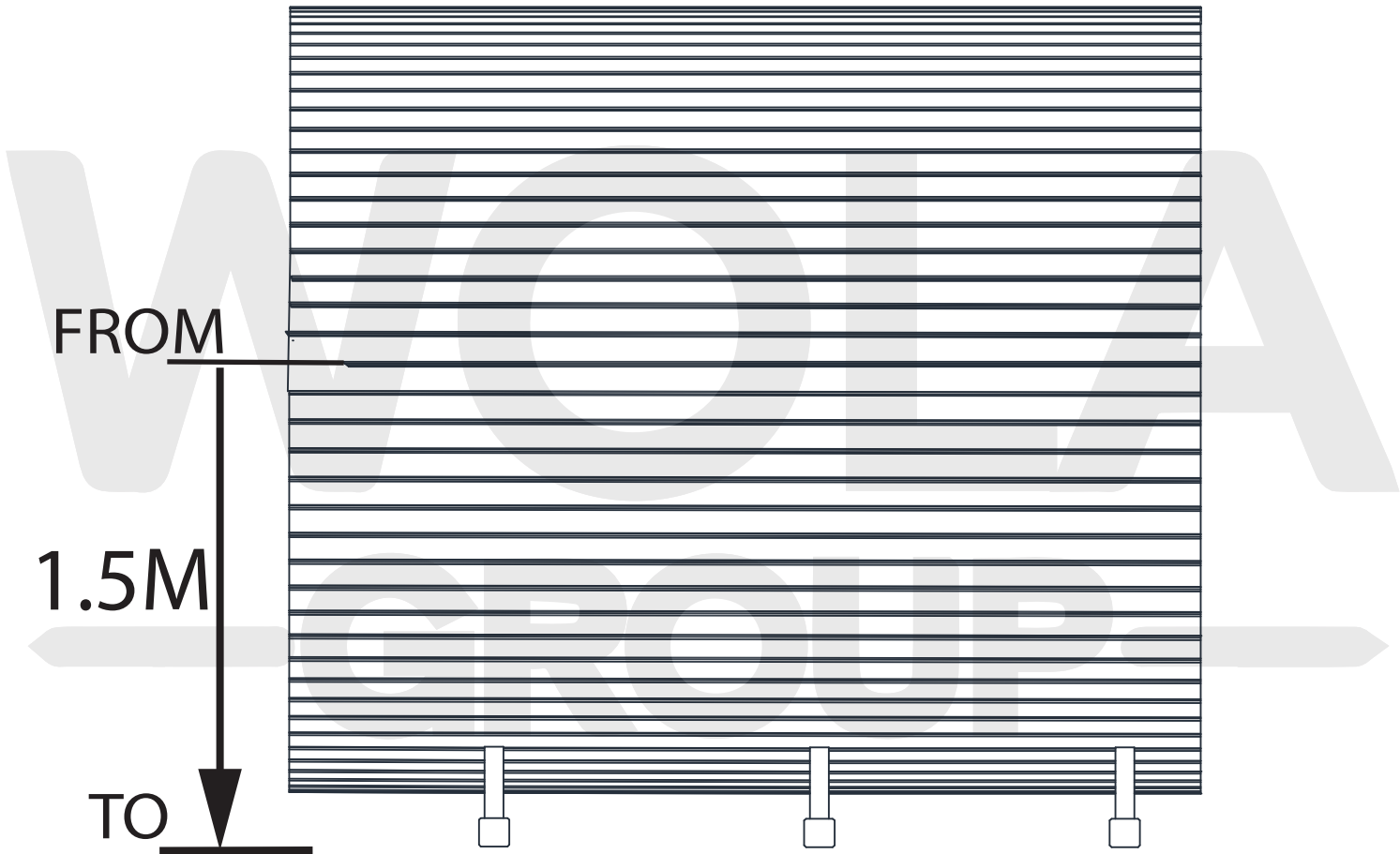
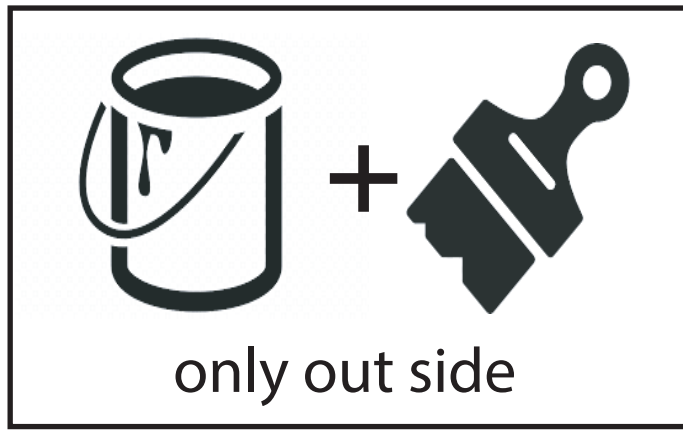


590

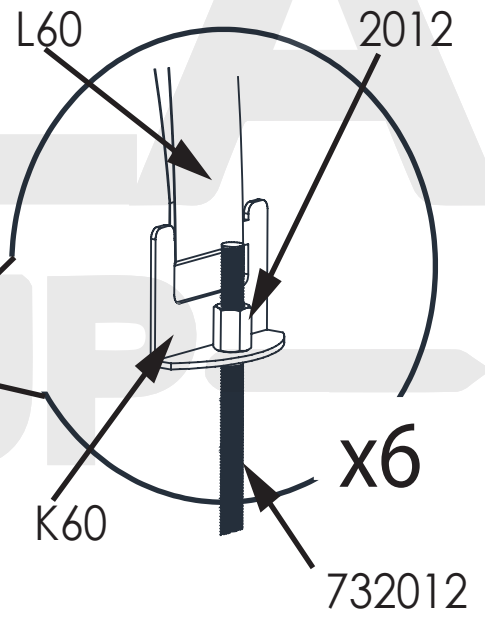
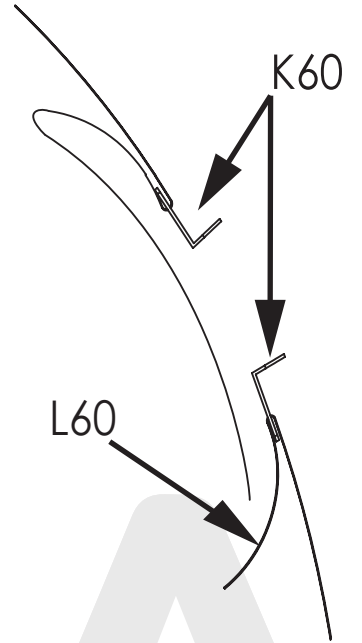
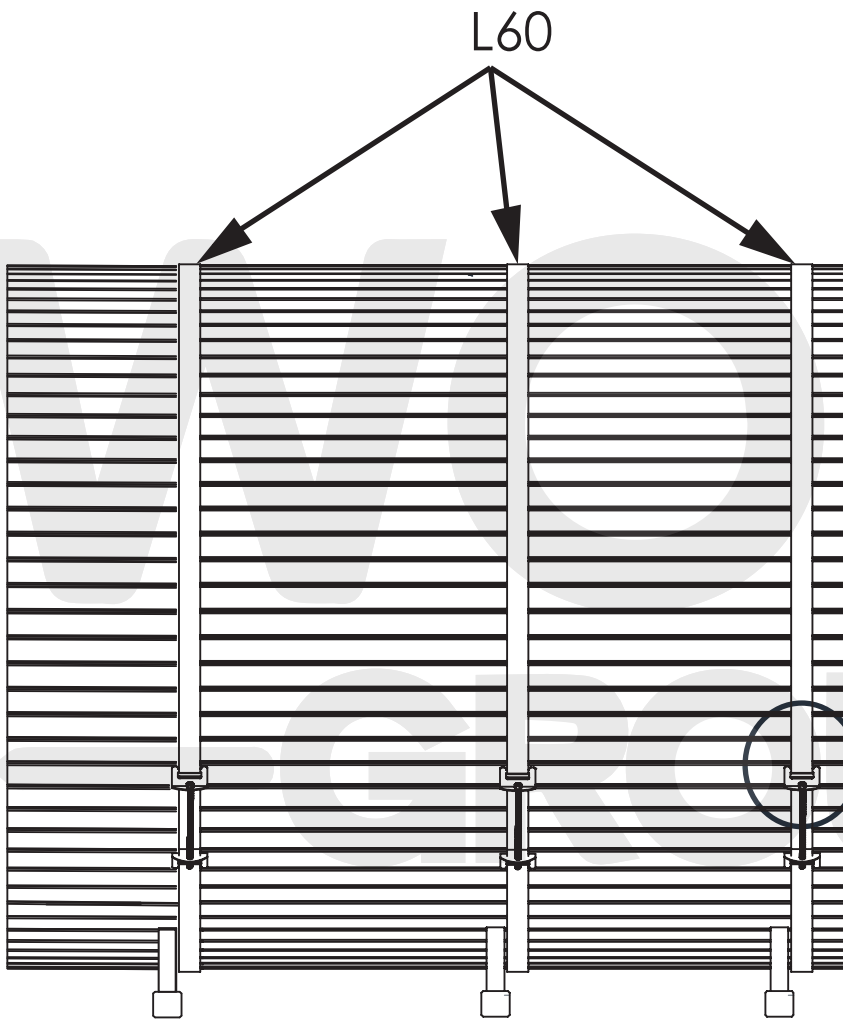
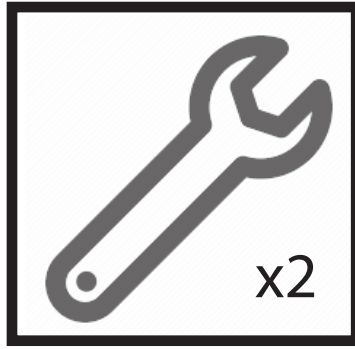
1000

R475+2x4570

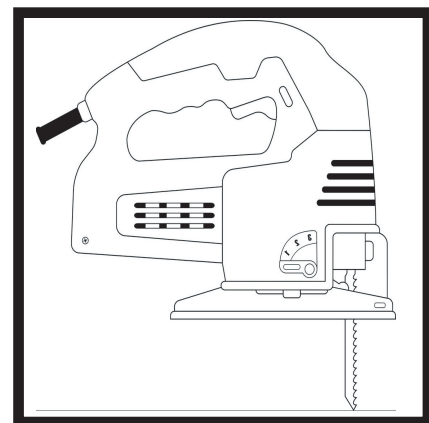
R475+2x4570



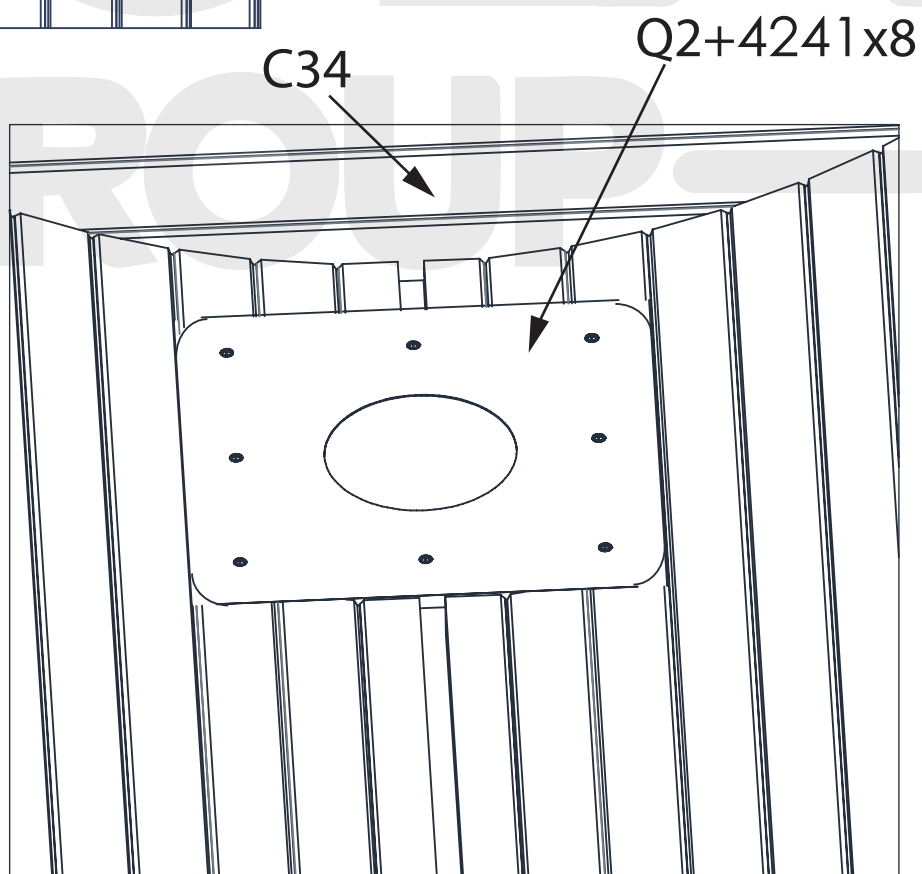
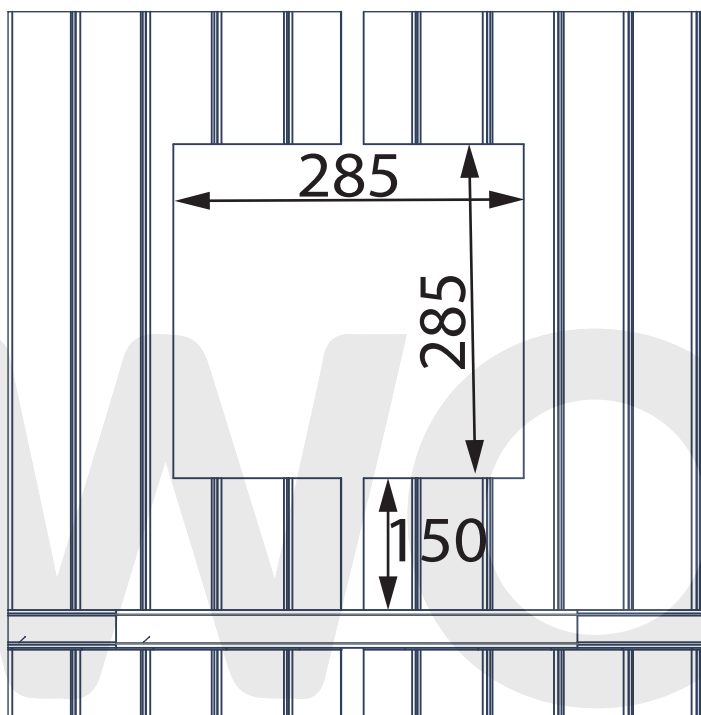
L60 - 3
K60 - 6
2012 - 6
732012 - 3



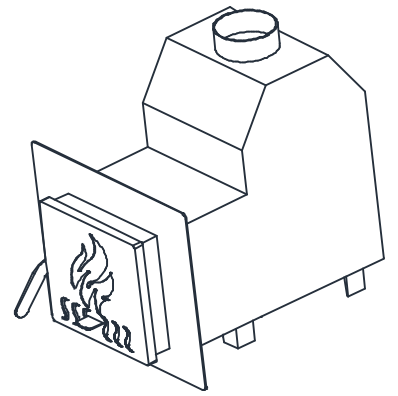
Q2 - 1
4241 - 8



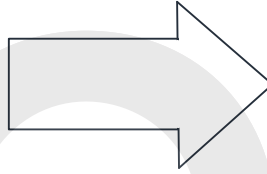
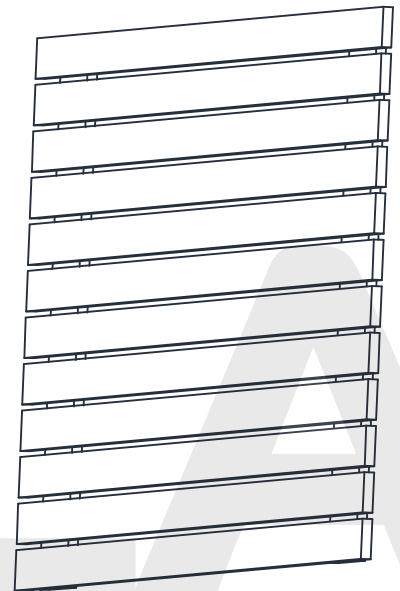
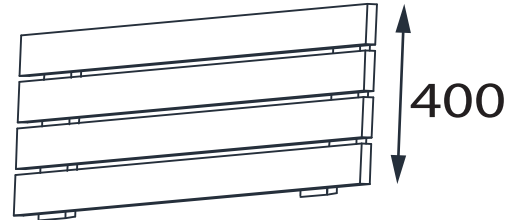
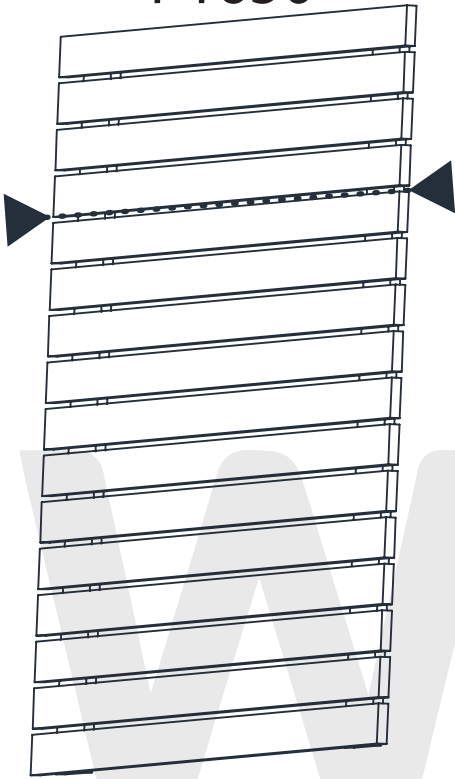
pipe hole



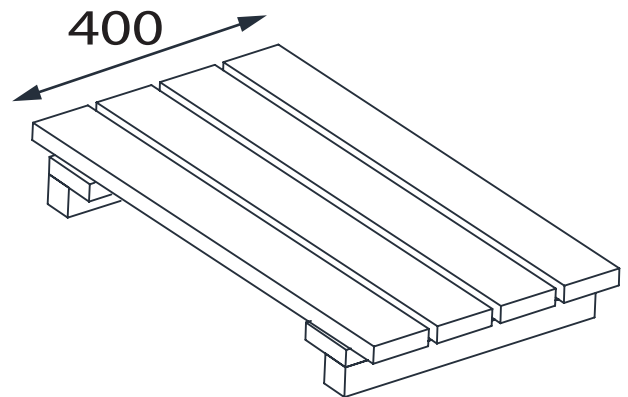
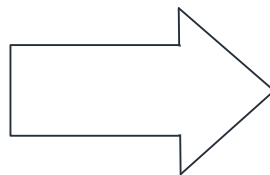
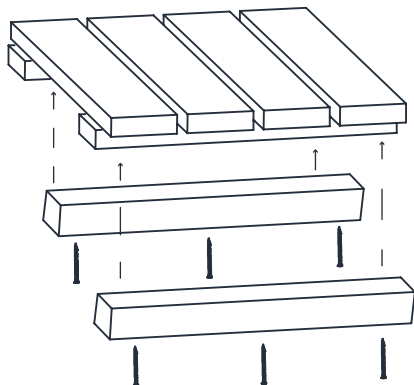
ONLY FOR G1!



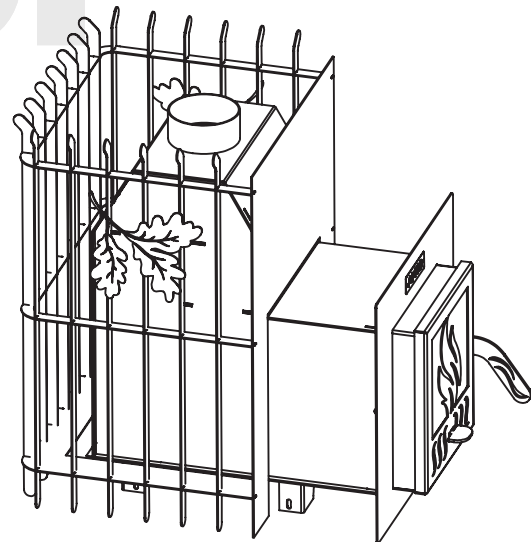
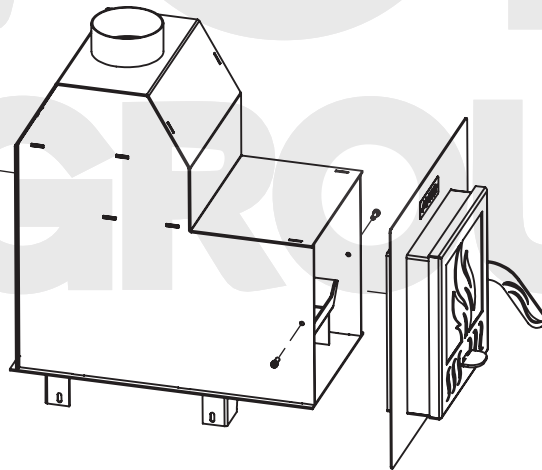
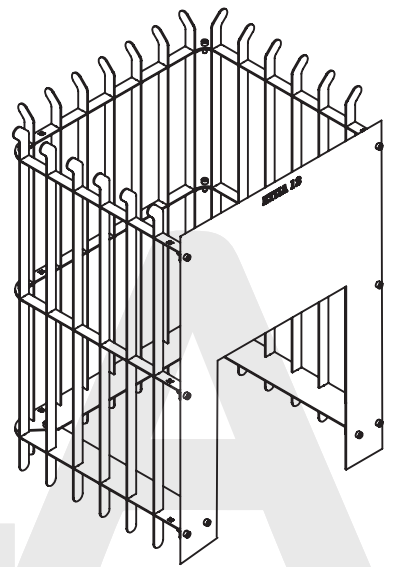
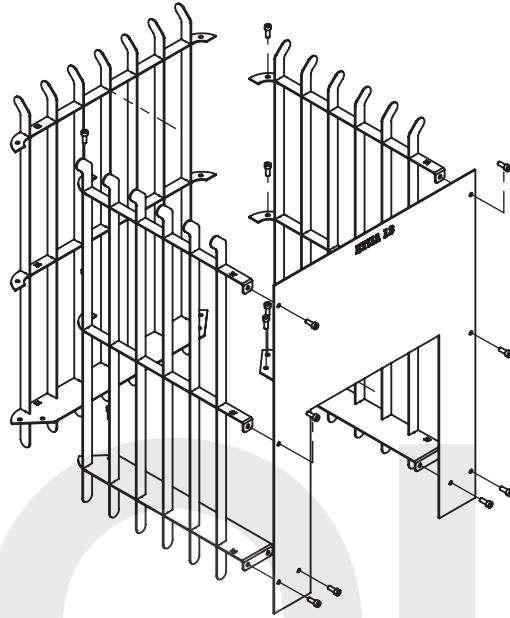
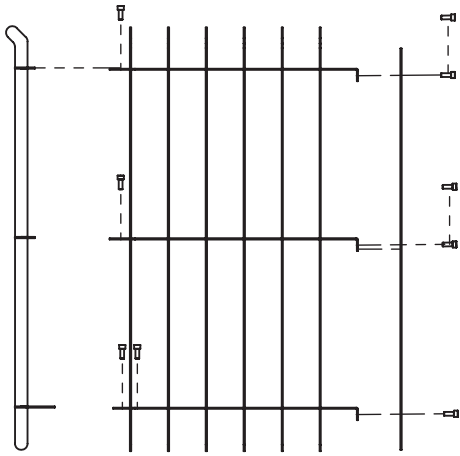
P1650



R400 - 2
4570 - 6

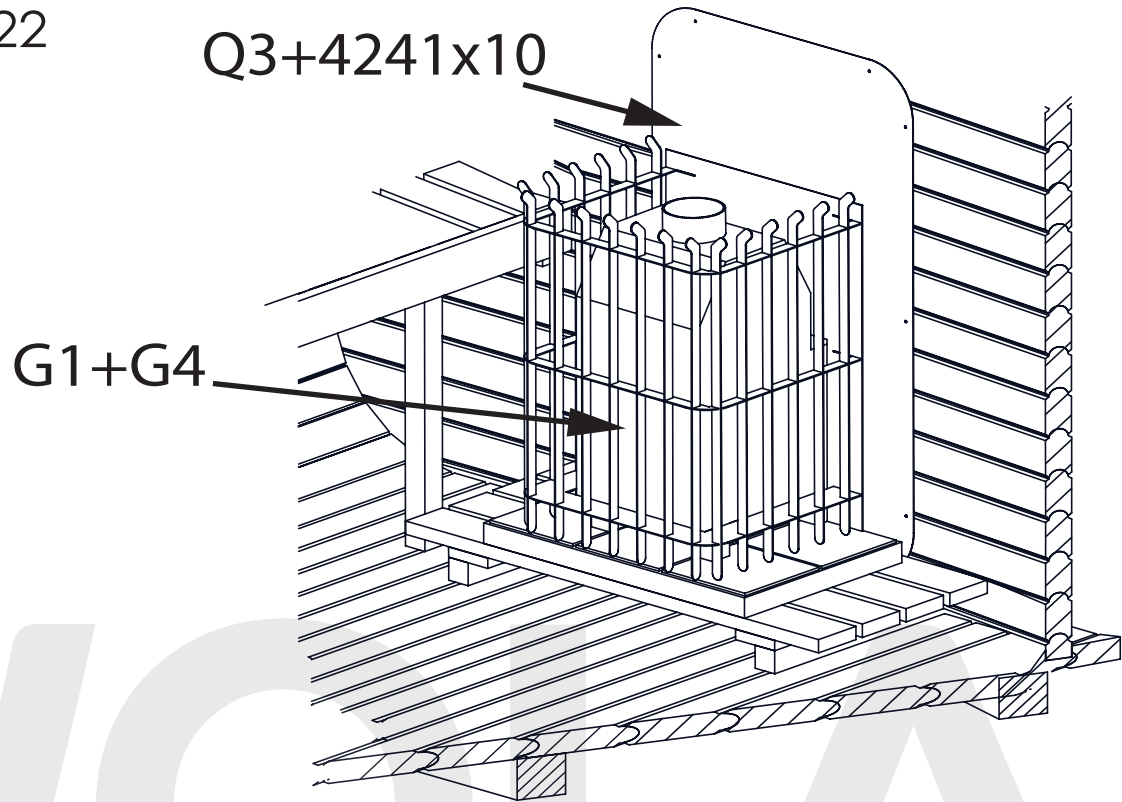


STOVE INSTALLATION



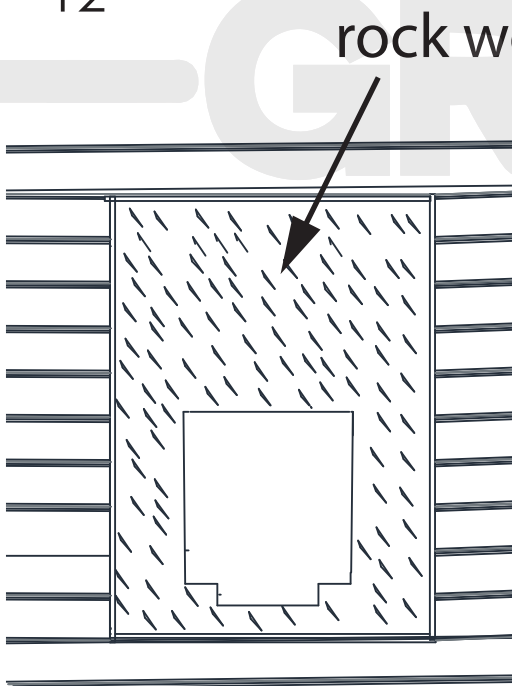
inside view

G1 - 1 | Q3 - 1
G2 - 1 | 4241 - 22
G4 - 1 |

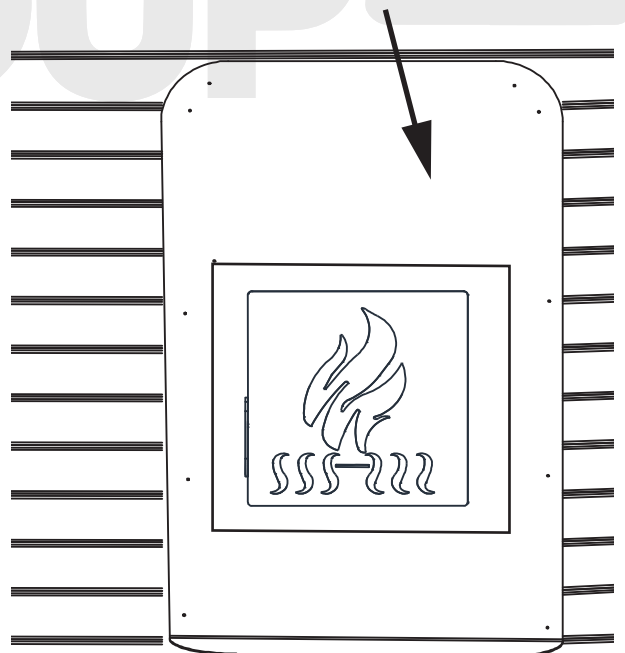


outside view

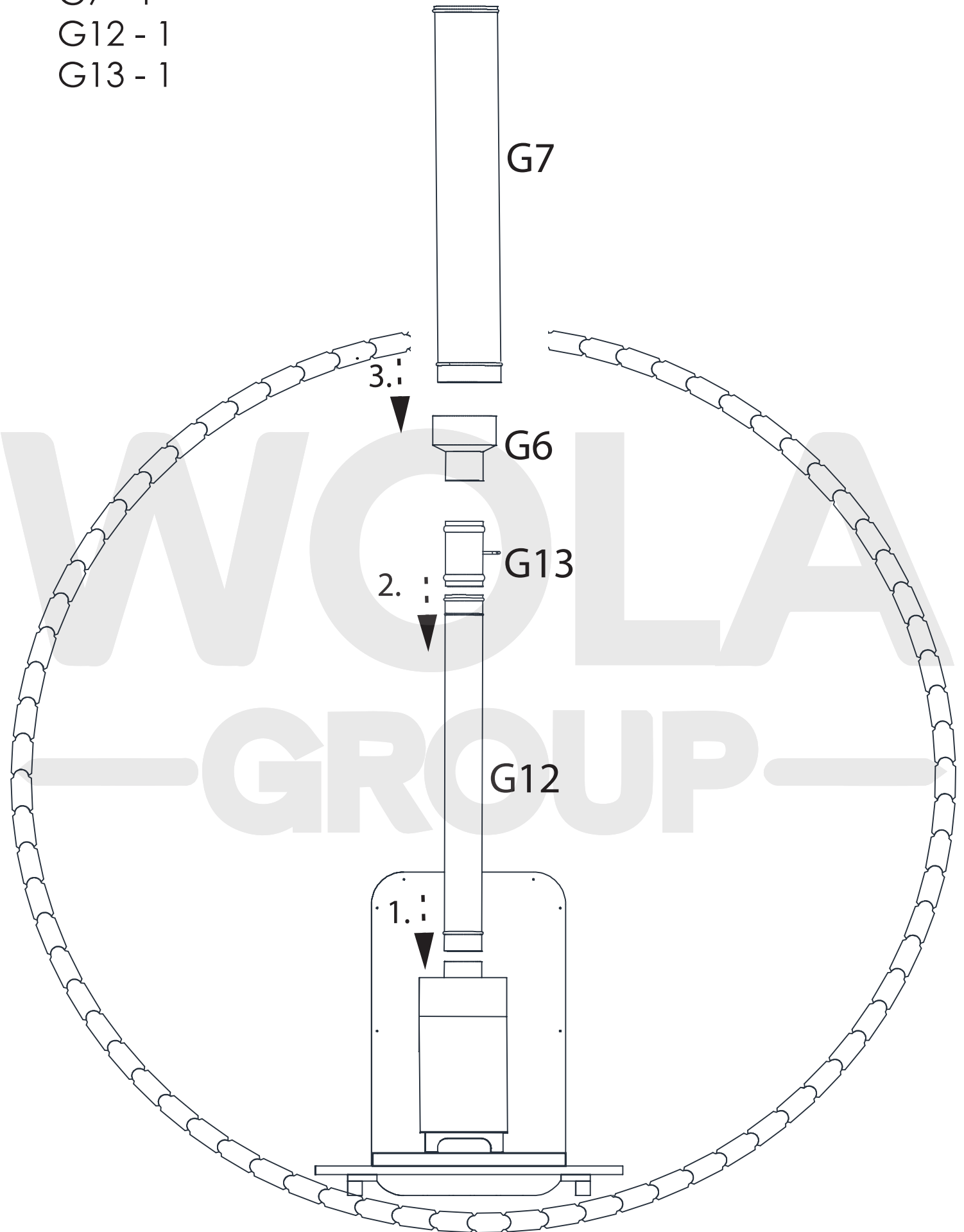
Q4 - 1
4241 - 12



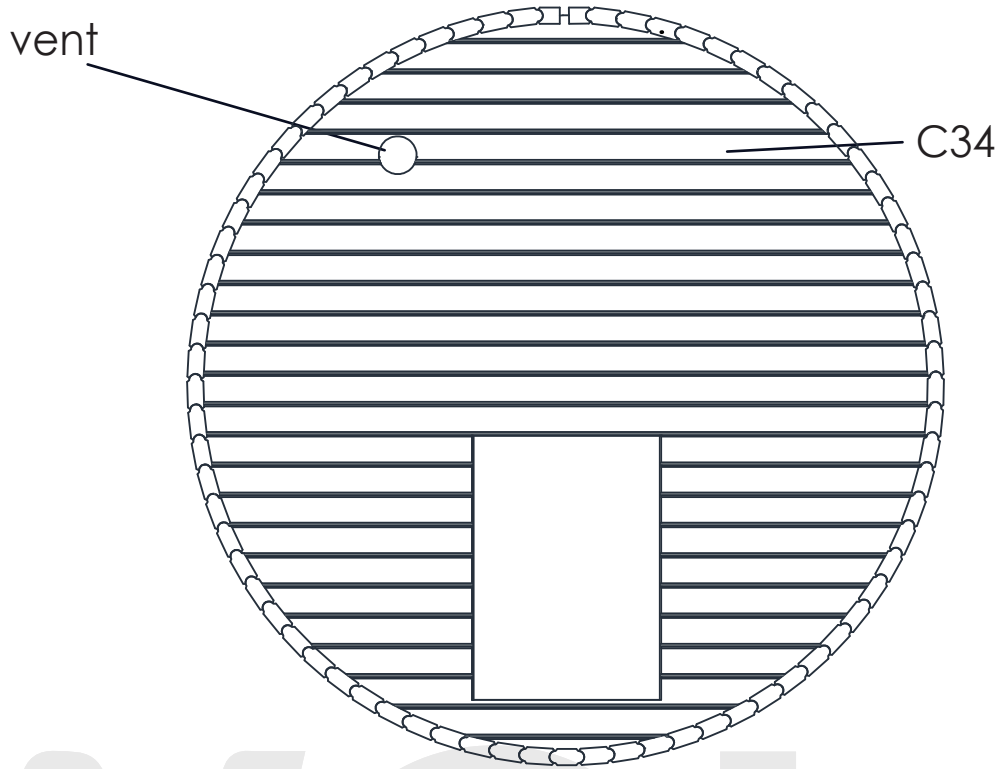
Q4+4241x12



G6 - 1
G7 - 1
G12 - 1
G13 - 1

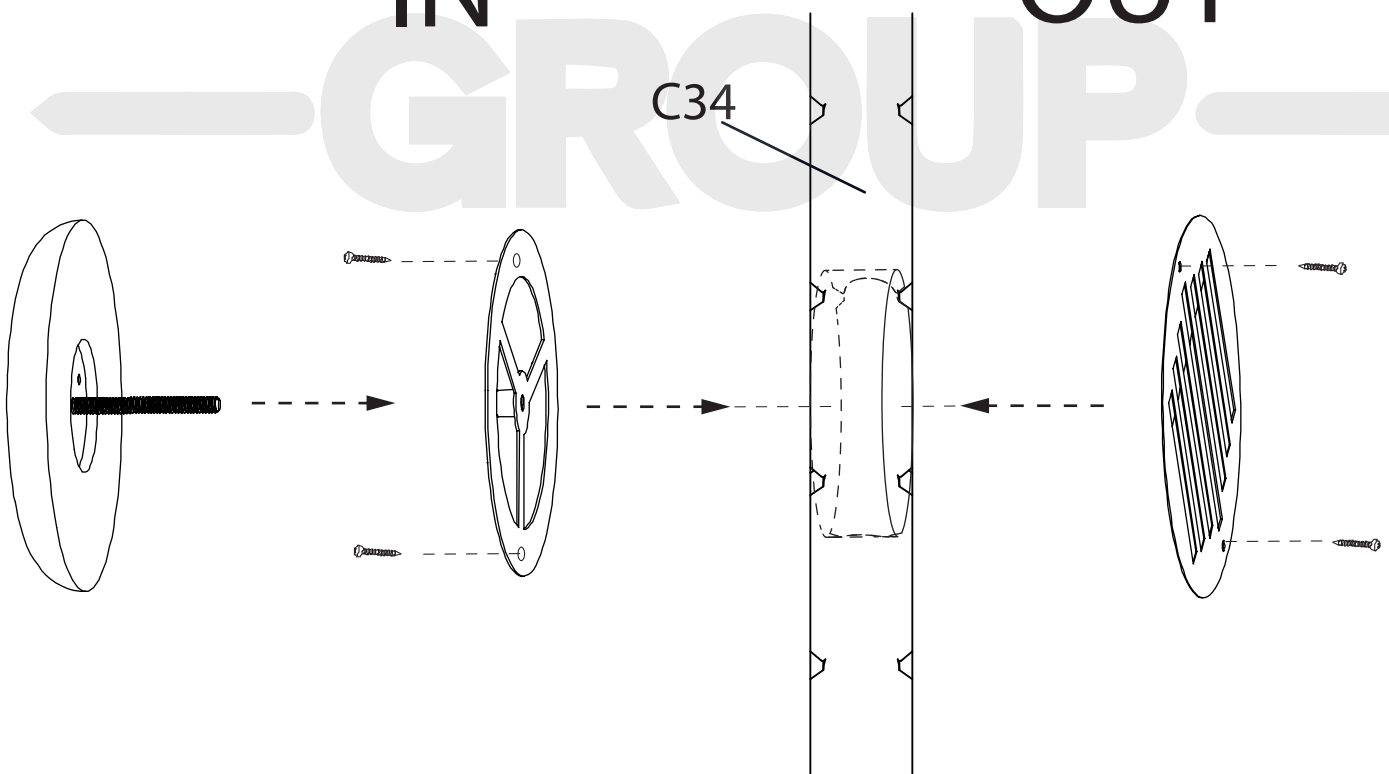


SET3

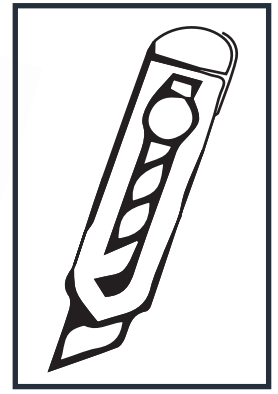
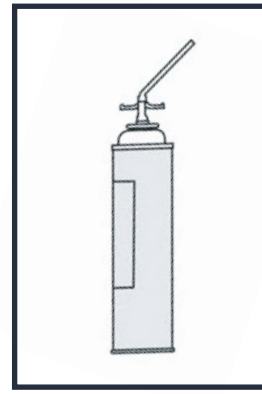


IN

OUT



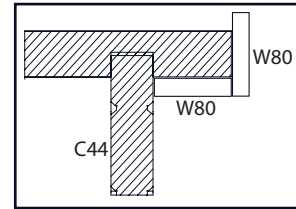
W1750 - 1
W430 - 1
W80 - 3
4345 - 18



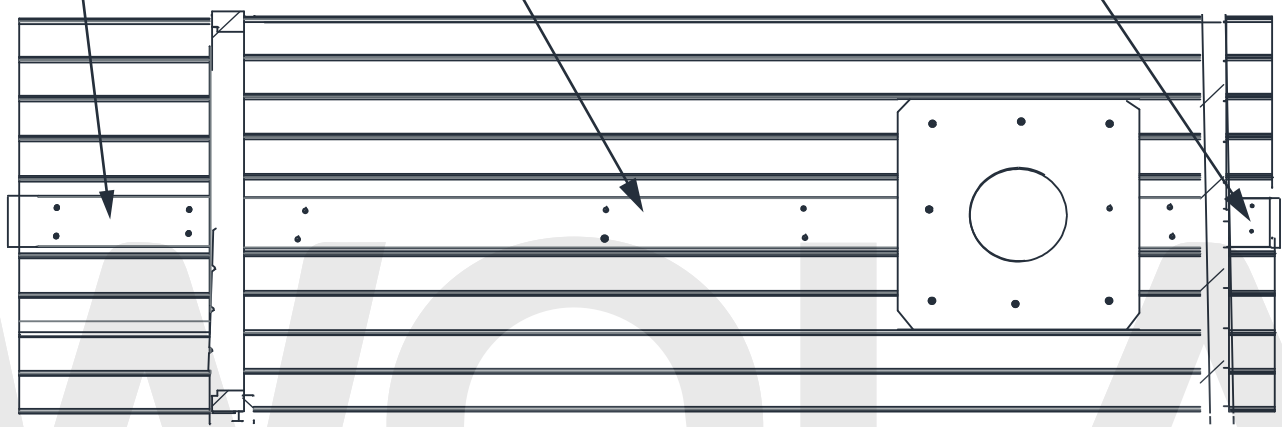
ROOF (inside view)

W430+4345x4

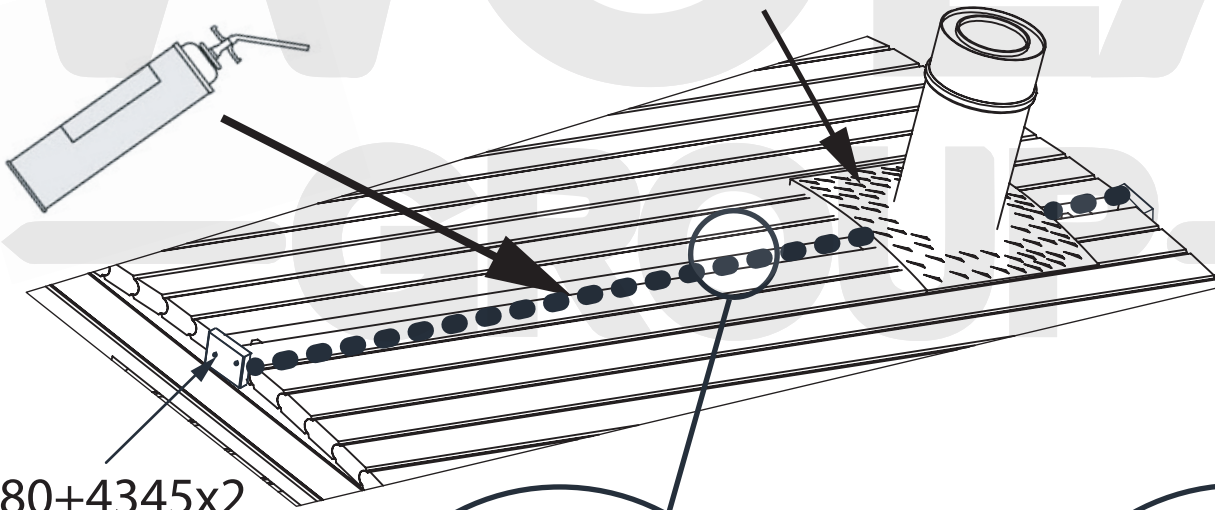
W1750+4345x8



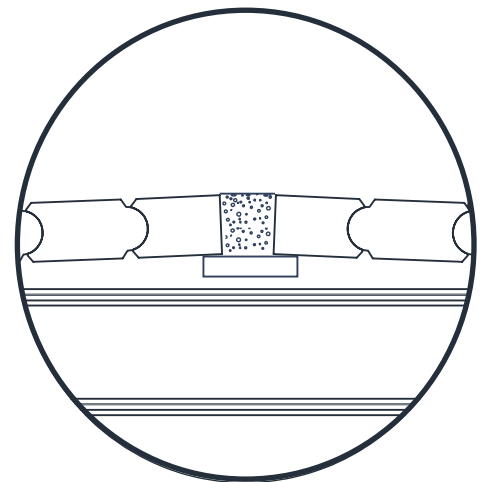
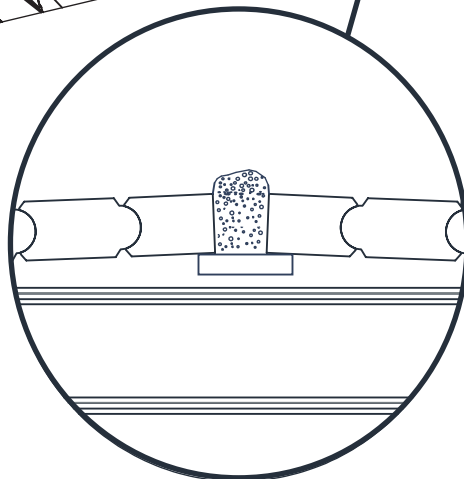
W80x2+
+4345x4



rock wool

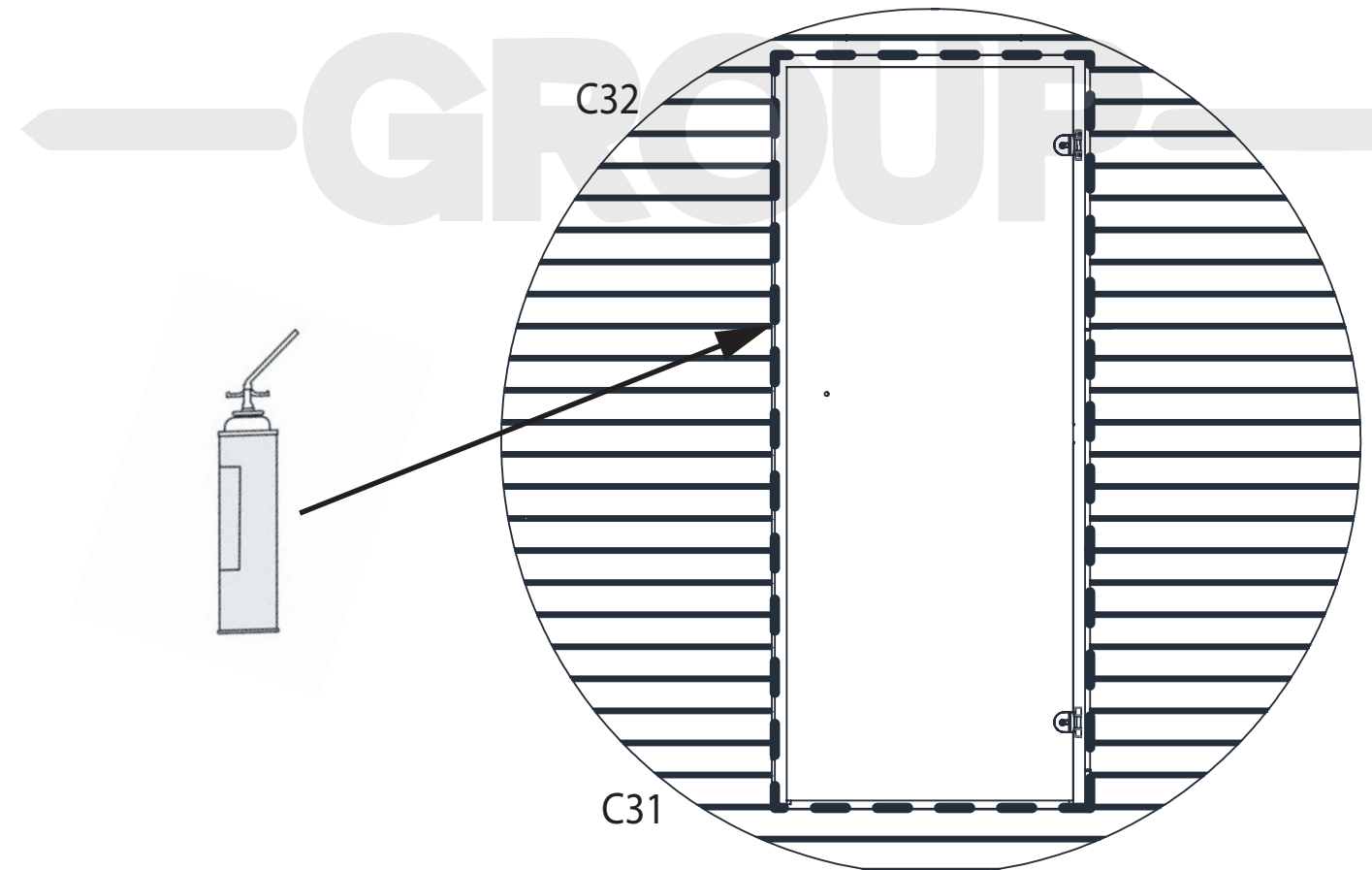
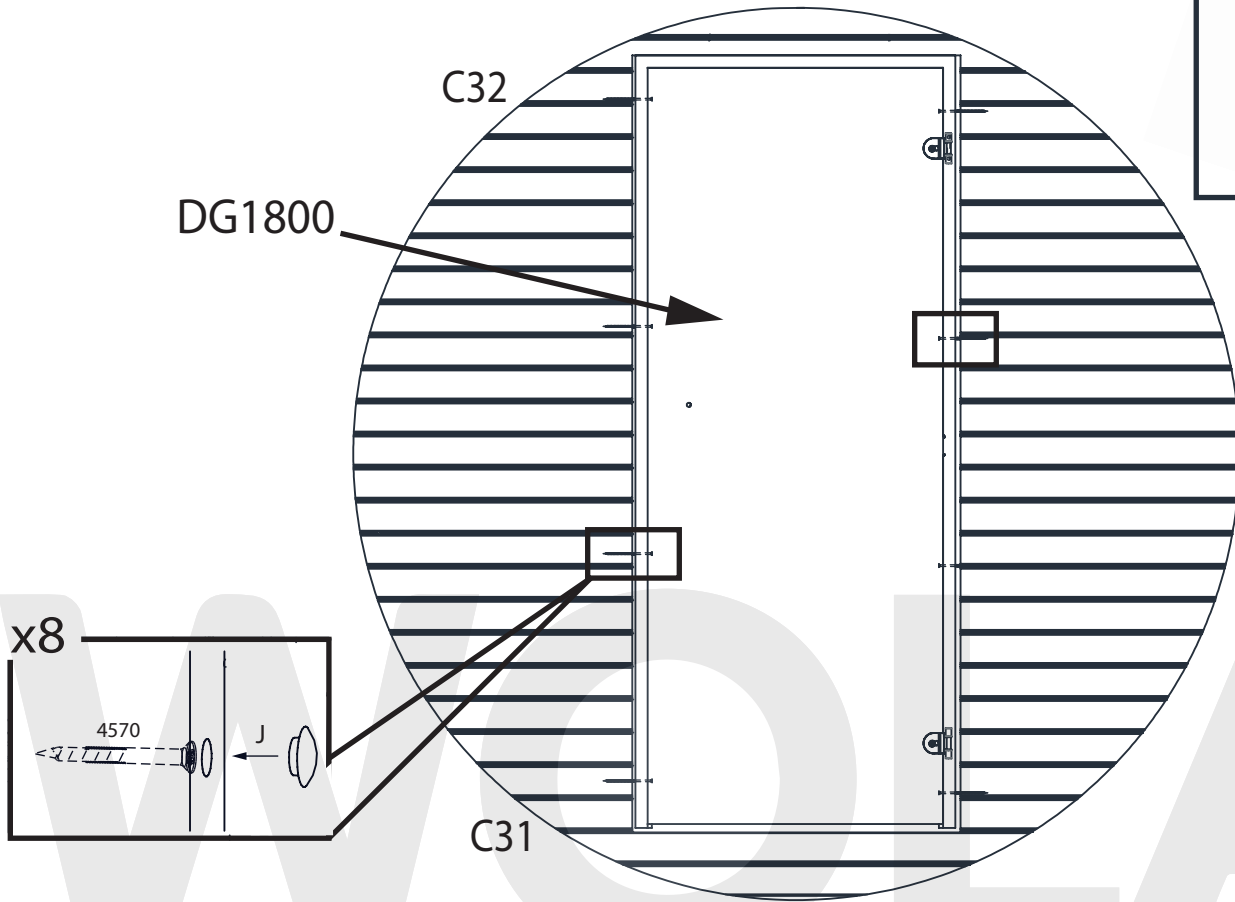
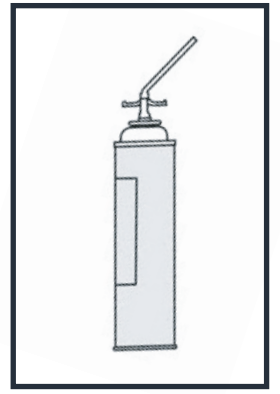


W80+4345x2



DG1800 - 1
4570 - 8
J- 8

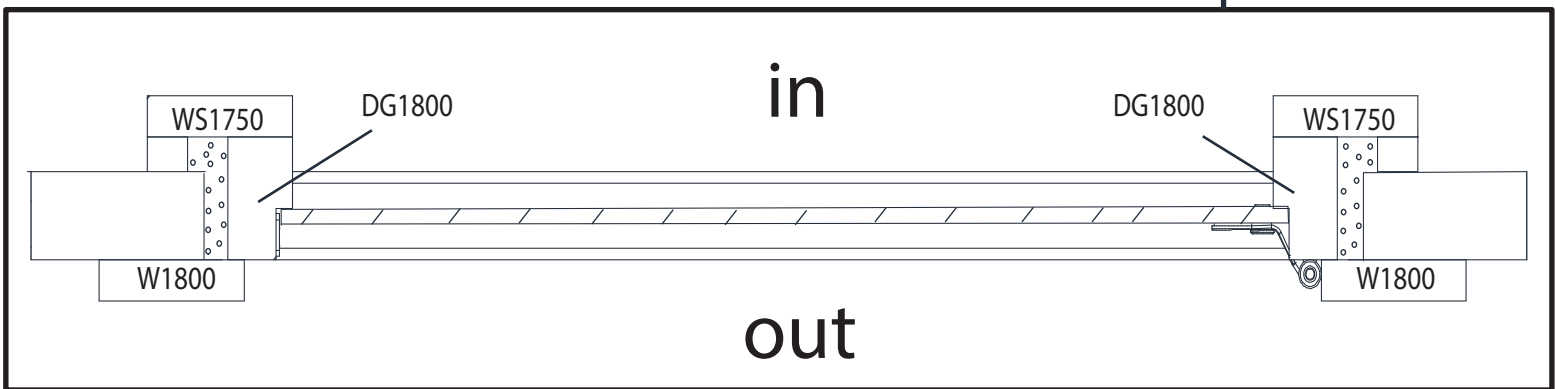
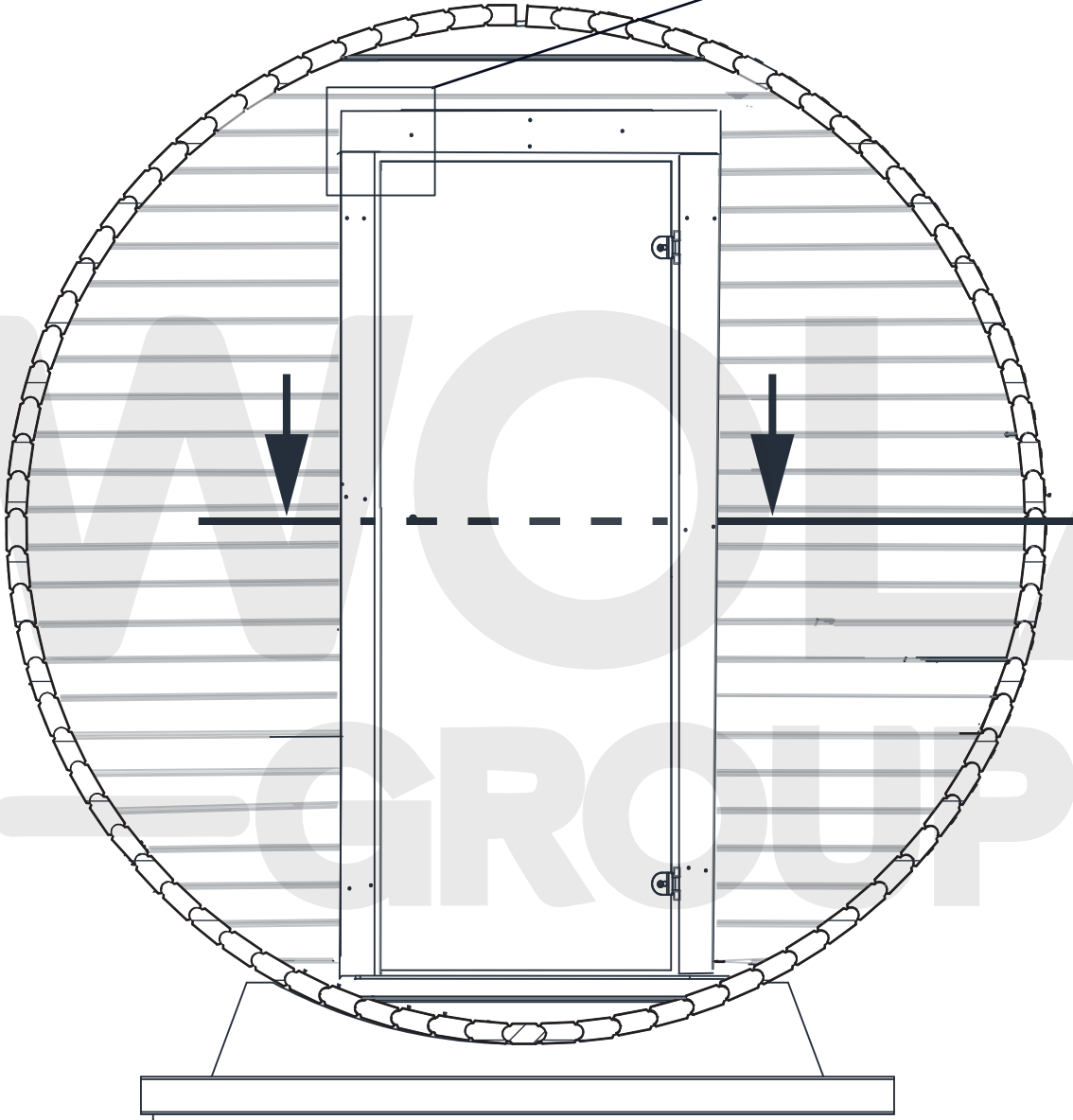
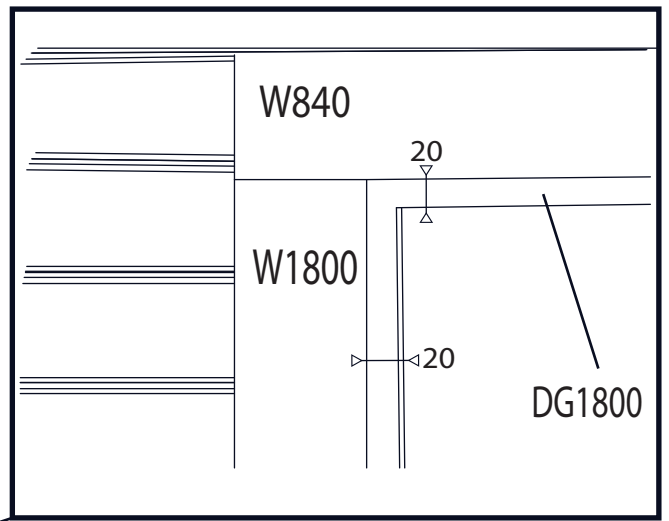
DOOR INSTALATION outside view



W1800 - 2

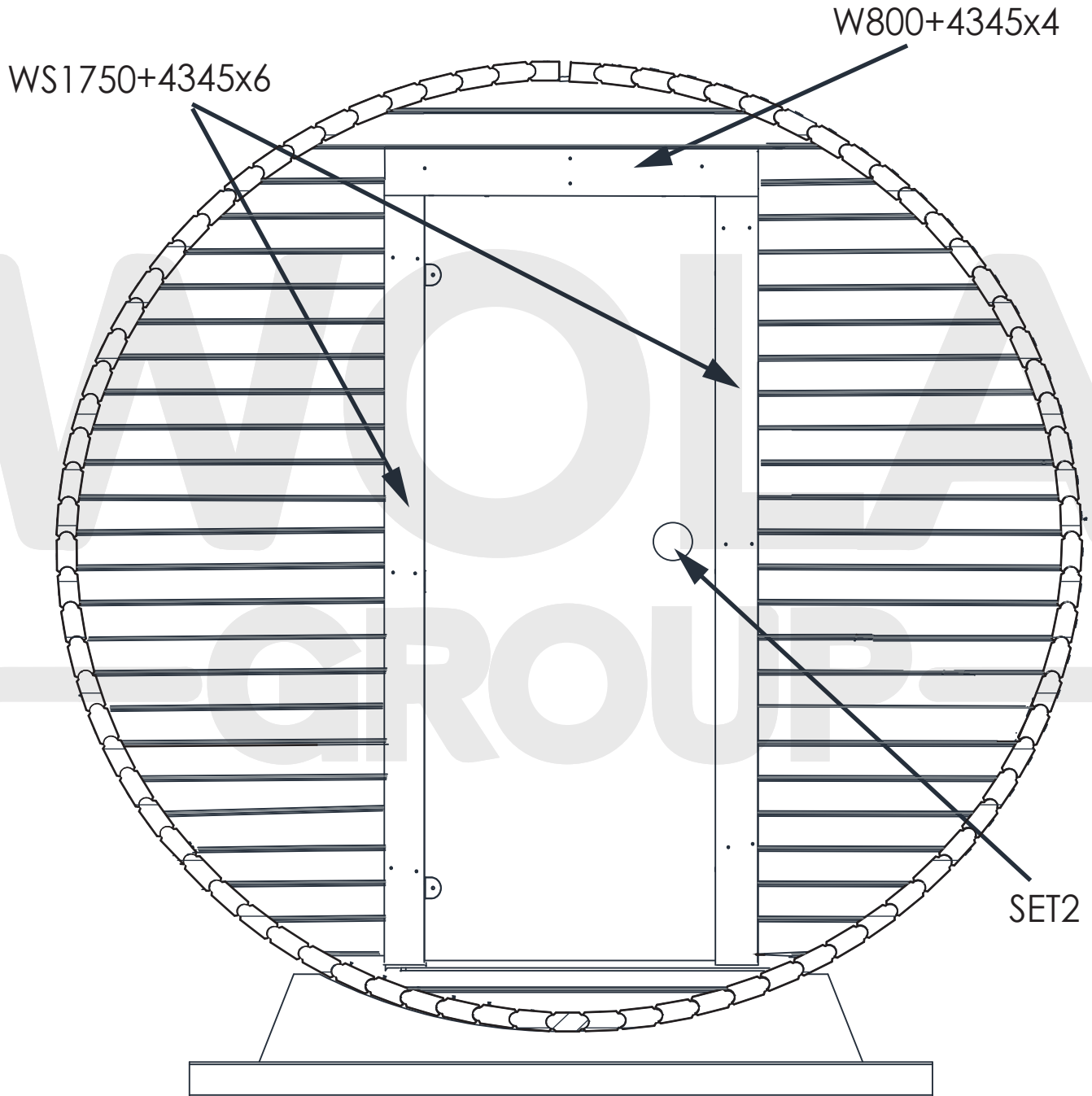
W840 - 1

4345- 16

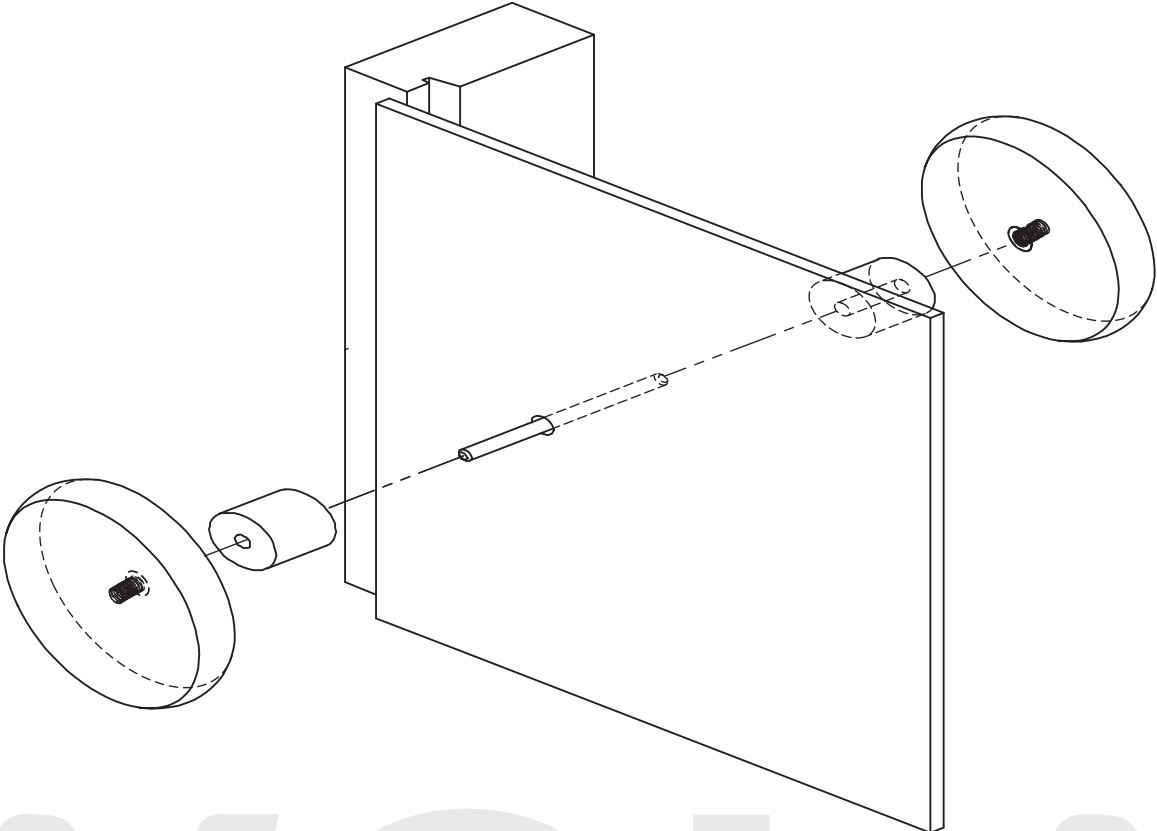


W800 - 1
WS1750 - 2
SET2 - 1
4345- 16

DOOR INSTALATION inside view



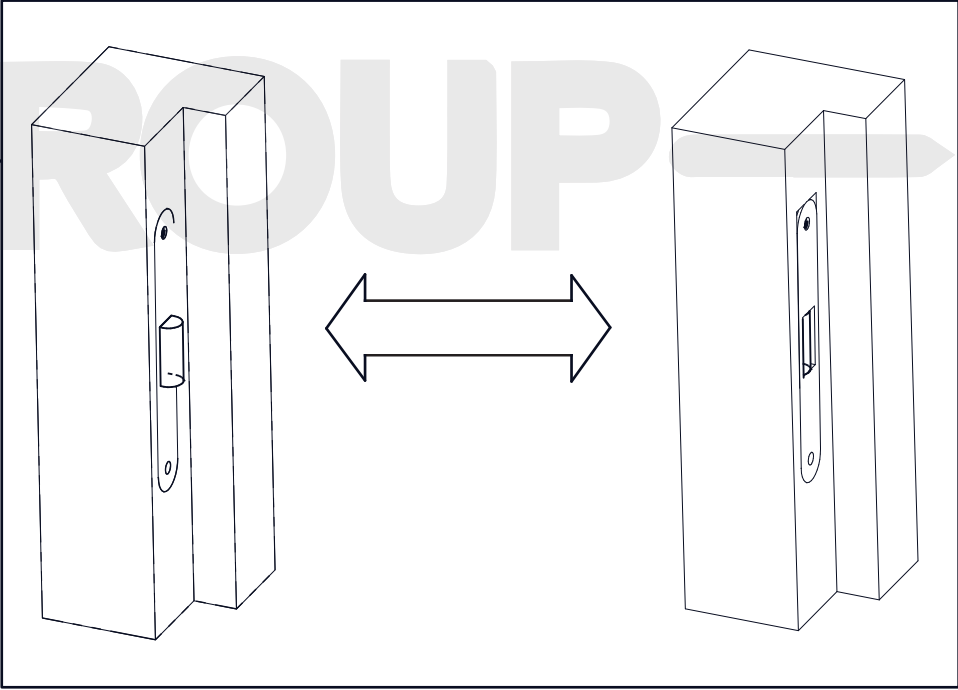
SET 2



DG1800

DOOR LOCK

door



WS2350 - 2

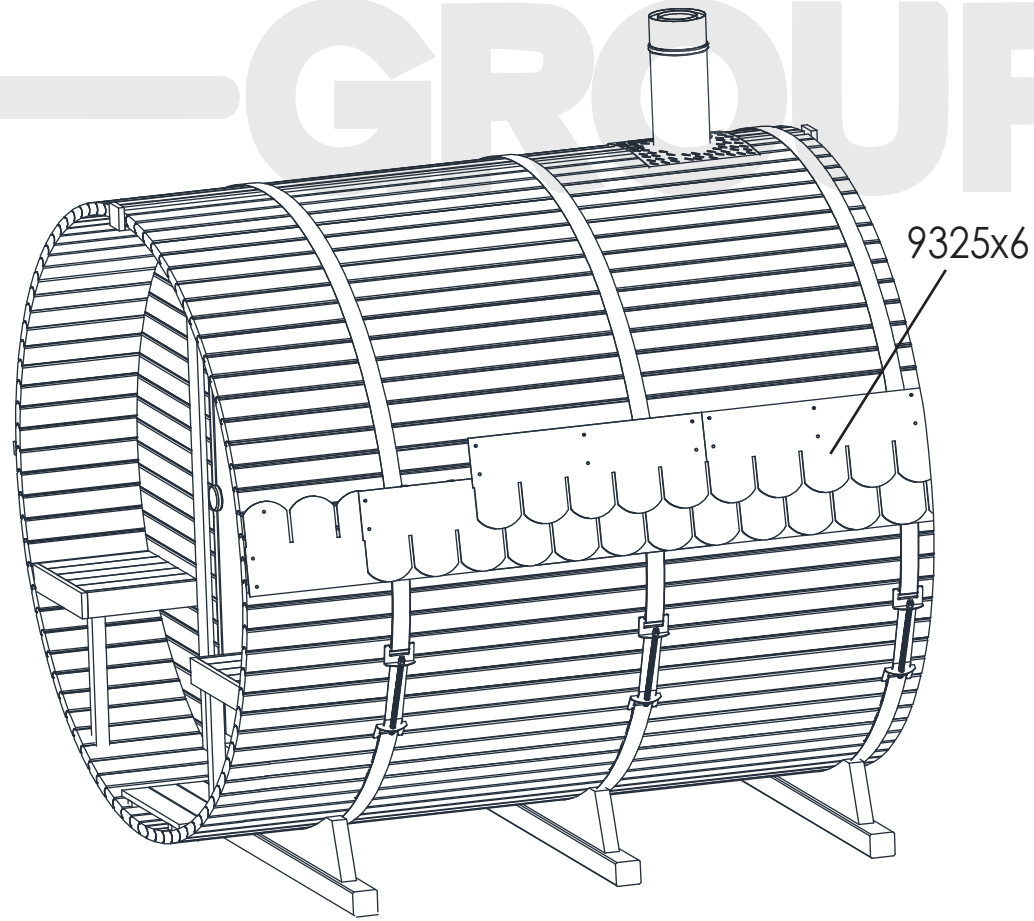
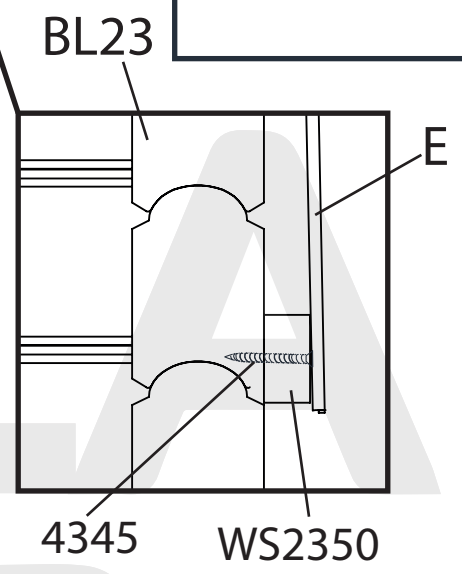
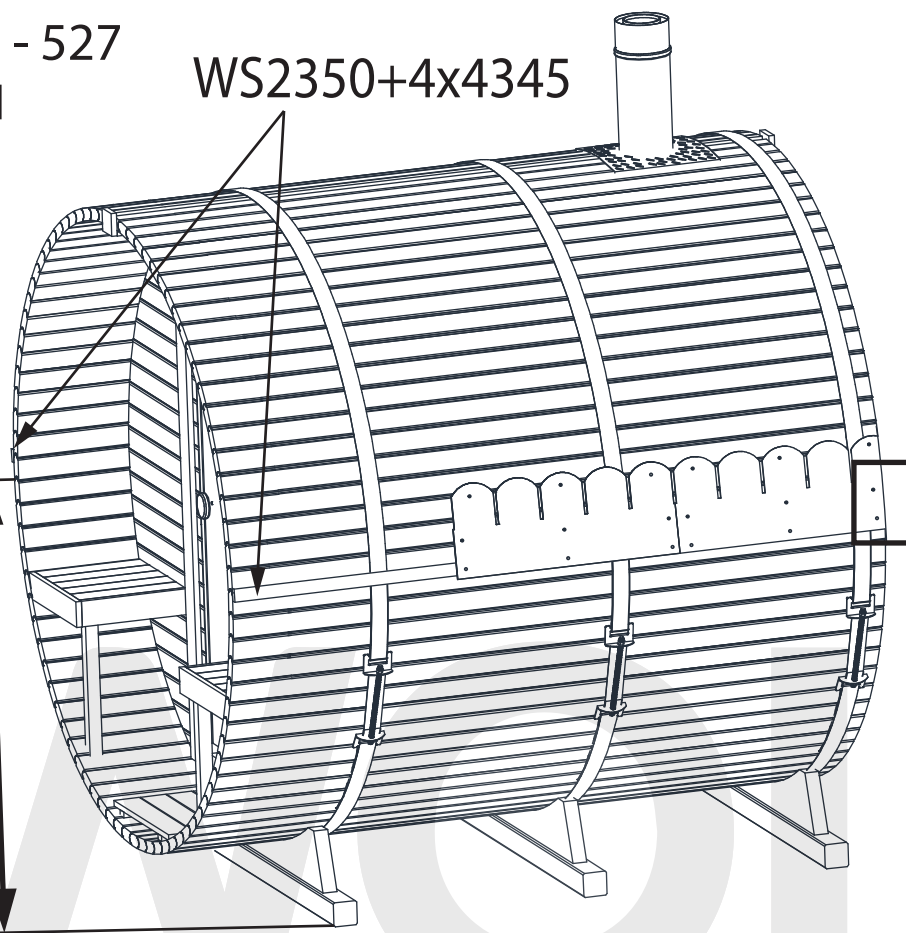
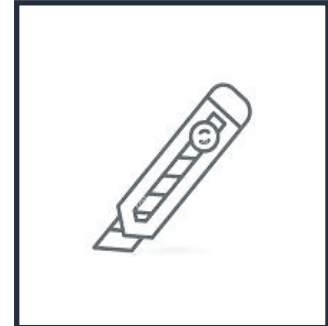
4345 - 8

9325 - 527

E - 71

WS2350+4x4345

1.6M



G8 - 1
G9 - 1
Q5 - 1
9325 -12

